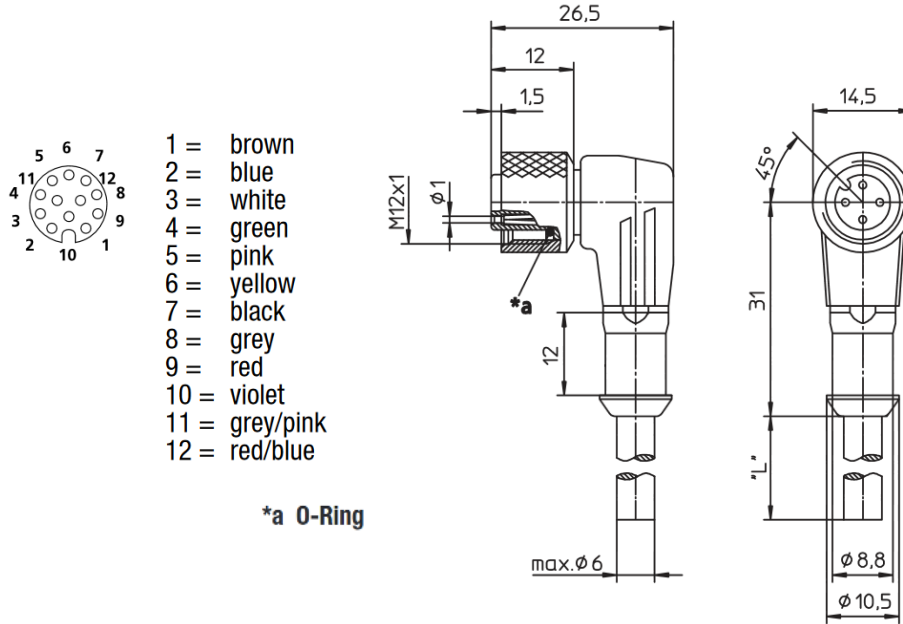


Drawings



Technical Data

Cordage Construction		Diameters (In)
Cordage Part Number	346	
Component 1	12 COND	
a) Conductor	0,25mm ² (32x 0,10mm) Bare Copper (24 AWG)	0.025
b) Insulation	0.010" Wall, Nom. PP	0.045
Insulation Colors	White, Brown, Green, Yellow, Grey, Pink, Blue, Red, Black, Violet, Grey/Pink & Red/Blue	
Jacket	0.028" Wall, Nom. PUR, Zero Halogen	0.252
a) Color(s)	Black	
Cord Configuration		
End 1	M12-A Female, 90 Degree	
End 2	Cut End	
Insert	Black TPU	
Mold Color	Black TPU	
Contact	Copper Alloy, Gold plated	
Coupling Nut	Copper Alloy, Nickel plated	
O-Ring	FKM	
Available Lengths	0.6, 1, 3, 5, 10, 15, 20 Meters	

Issue: 1 Issue Date: 7/29/2016 Effective Date: 7/29/2016

Applicable Specifications-Cable		
UL	AWM/STYLE 20549	80°C / 300 V _{RMS}
CSA International	C(RU) AWM I/II A/B FT2	80°C / 300 V _{RMS}
Applicable Specifications-Cord Set		
UL	ANSI/UL 2238, Cable Assembly Extension RU, UL File Number E485156	
Nominal Voltage	30 V	
Rated Voltage	36 V	
Ingress Protection	IP67/NEMA 6P	
Environmental Compliance		
CE	All materials used in the manufacture of this part meet the requirements of European Directive 2011/65/EU regarding the restriction of use of certain hazardous substances in electrical and electronic equipment. Exemption used; 6a.	
REACH Regulation (EC 1907/2006)	This product does not contain Substances of Very High Concern (SVHC) listed on the European Union's REACH candidate list in excess of 0.1% mass of the item.	
Physical & Mechanical Properties		
Temperature Range, Cord	-40 to 80°C(static), -25 to 60°C (dynamic)	
Temperature Range, Connector	-25°C to +80°C	
Bend Radius	5X Cable Diameter (static), 10X Cable Diameter (dynamic)	
Pull Tension	45 Lbs, Maximum	
Current Rating	0.8 Amps @ 50°C	
Ordering Information		
AW1200125 BK355	0.6 Meters	
AW1200125 BK356	1.0 Meters	
AW1200125 BK357	3.0 Meters	
AW1200125 BK358	5.0 Meters	
AW1200125 BK359	10.0 Meters	
AW1200125 BK400	15.0 Meters	
AW1200125 BK401	20.0 Meters	
Standard Package	Each	

Although Alpha Wire ("Alpha") makes every reasonable effort to ensure their accuracy at the time of this publication, information and specifications described herein are subject to error or omission and to change without notice, and the listing of such information and specifications does not ensure product availability. Alpha provides the information and specification herein on an "AS IS" basis, with no representations or warranties, whether express, statutory or implied. In no event will Alpha be liable any damages (including consequential, indirect, incidental, special, punitive, or exemplary damages) whatsoever, even if Alpha has been advised of the possibility of such damages, whether in an action under contract, negligence or any other theory, arising out of or in connection with the use, or inability to use, the information or specification described herein.