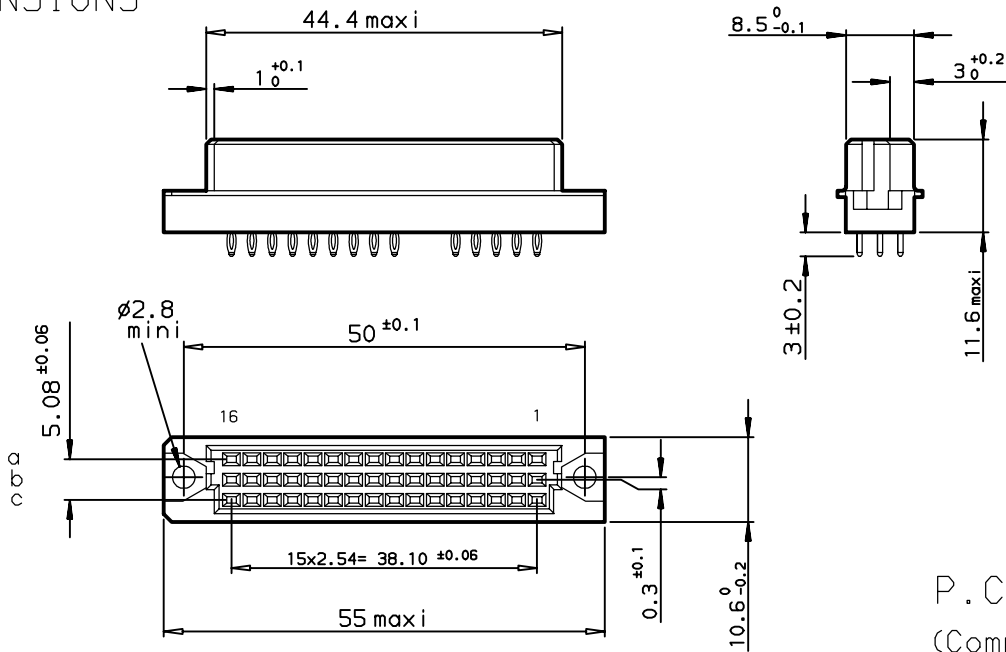


DIMENSIONS



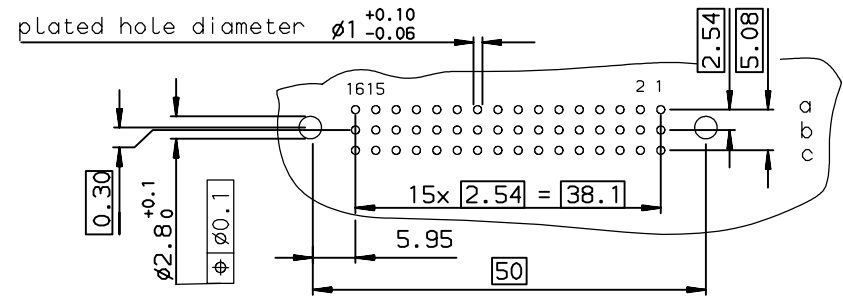
TIN LEAD PART NUMBER

PART NUMBER
86093428394750759E3

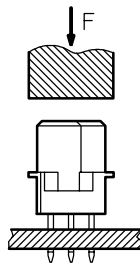
LEAD FREE PART NUMBER

PART NUMBER
86093428394750CILF

P.C. CARD DRILLING
(Component side view)



METHOD OF INSERTION
ON THE PCB = FLAT ROCK



SPECIFICATION 759 = no contact in position : row:a-b-c cavities 6-7
OR SPECIFICATION CI =

GENERAL CHARACTERISTICS AND ROHS INFORMATIONS:

SEE DRAWING C-8609-0000C

European Views

| | | | | | |
|---------------------------------------|-----------|---|-----------------------------------|----------------|---------------|
| www.fciconnect.com | | surface ISO 1302 <input checked="" type="checkbox"/> | tolerance std ISO 406 ISO 1101 | projection | mm |
| TOLERANCES UNLESS OTHERWISE SPECIFIED | | | | | |
| Dr | ROUILLARD | 1998/03/06 | ANGULAR | 0.X ±0.1 | size A3 |
| Eng | TARON | 1998/03/06 | LINEAR | 0.XX ±0.1 | Scale 1.5 |
| Chr | LEGARE | 1998/03/06 | 0.XX' ±2' | 0.XXX ±0.1 | ECN LS06-0095 |
| Appr | LEGARE | 1998/03/06 | Product family | DIN 8609 | Spec ref - |
| FCI | | STANDARD FEMALE 3 ROW | | Title | |
| | | 42 CONTACTS | | C-8609-0695 | |
| catalog no | | | | Rev. C | |

| rev | ecn no | dr | date |
|-----|-----------|-----|------------|
| A | - | ROU | 1998/03/06 |
| B | LS05-004 | JTA | 2005/02/26 |
| C | LS06-0095 | LGO | 2006/06/24 |
| - | - | - | - |
| - | - | - | - |
| - | - | - | - |

Copyright FCI.