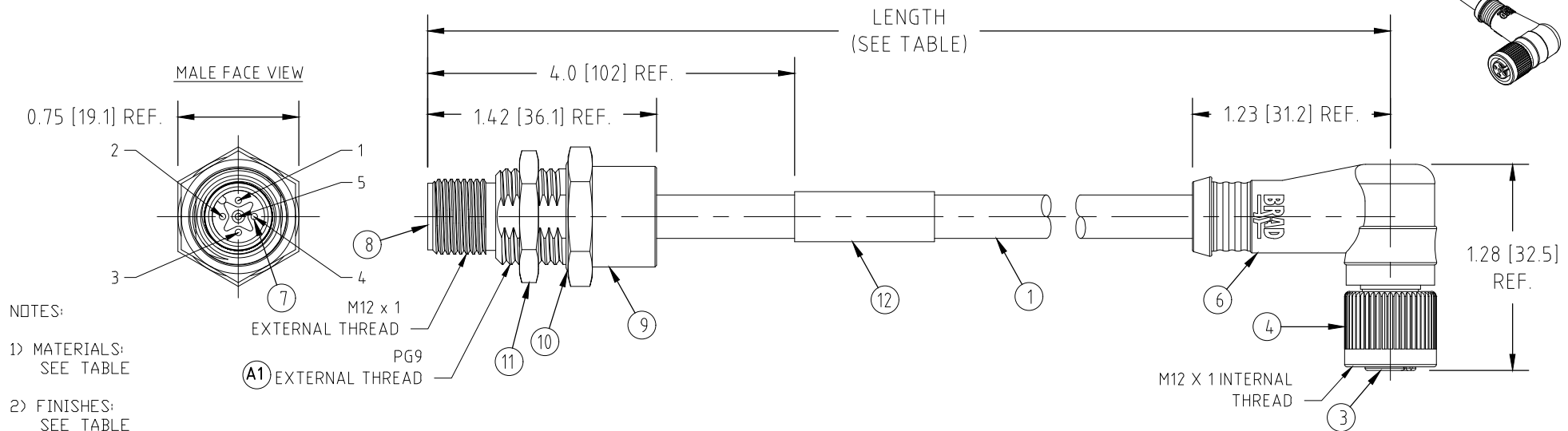
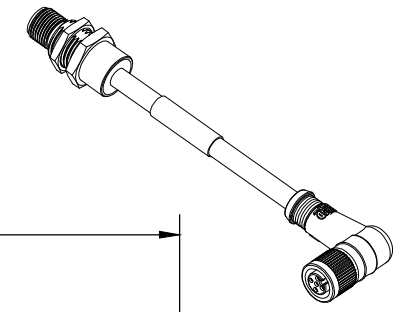


MATERIAL NUMBER	ENGINEERING NUMBER	LENGTH
130031-0012	DNDC303A-M005	0.5M +44.5mm -0 [1.64FT +1.75IN -0]

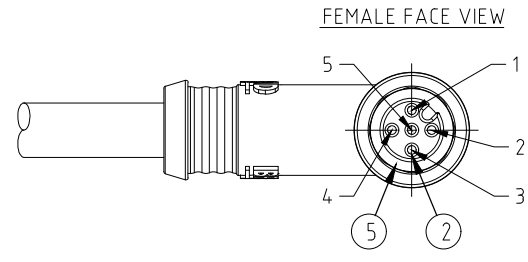


- NOTES:
- 1) MATERIALS: SEE TABLE
 - 2) FINISHES: SEE TABLE
 - 3) ELECTRICAL DATA:
MAX. VOLTAGE: 250 VAC/VDC
MAX. CURRENT: 4 AMPS
 - 4) ENVIRONMENTAL:
PROTECTION IP67
TEMPERATURE RANGE: -20°C TO 80°C
 - 5) CERTIFICATIONS:
cCSAus FILE: LR6837
 - 6) ASSEMBLY IS RoHS COMPLIANT.

WIRING DIAGRAM

1	DRAIN	1
2	RED	2
3	BLACK	3
4	WHITE	4
5	BLUE	5

MALE FEMALE



12	1	LABEL	PLASTIC FILM	YELLOW
11	1	PANEL NUT	BRASS	NICKEL PLATED
10	1	PANEL O-RING	NITRILE	BLACK
9	1	MALE RECEPTACLE SHELL	BRASS	NICKEL PLATING
8	1	MALE INSERT	NYLON	BLACK
7	5	PIN CONTACT	COPPER ALLOY	GOLD PLATING
6	1	DVERMOLD	PVC	GRAY
5	1	CONNECTOR O-RING	NITRILE	RED
4	1	COUPLER	ZINC DIE-CAST	BLACK E-CDAT
3	1	FEMALE INSERT	NYLON	BLACK
2	5	SOCKET CONTACT	COPPER ALLOY	GOLD PLATING
1	1	#22/4 CABLE + DRAIN	PVC JACKET	GRAY
ITEM	QTY.	DESCRIPTION	MATERIAL	FINISH

FUNCTIONAL SYMBOLS FA=0 FC=0 FE=0	DIMENSION UNITS		SCALE		CURRENT REV DESC: ---
	INCH/MM		1:1		
	GENERAL TOLERANCES (UNLESS SPECIFIED)				
		mm	INCH		
DIVISIONAL SYMBOLS	4 PLACES	±----	±----		EC NO: 667392
	3 PLACES	±----	±0.005		DRWN: ABHISP1 2021/04/30
	2 PLACES	±0.13	±0.01		CHK'D: ABHISP1 2021/07/01
	1 PLACE	±0.25	±0.02		APPR: GGA 2021/07/05
	0 PLACES	±----	±----		INITIAL REVISION:
	ANGULAR TOL ± 0.5 °				DRWN: LHARTMAN 2010/01/15
DRAFT WHERE APPLICABLE MUST REMAIN WITHIN DIMENSIONS			THIRD ANGLE PROJECTION	DRAWING	SERIES
				A-SIZE	130031
DOCUMENT NUMBER		DOC TYPE		DOC PART	REVISION
SD-130031-003		PSD		001	B
MATERIAL NUMBER		CUSTOMER		SHEET NUMBER	
SEE TABLE		GENERAL MARKET		1 OF 1	

DOCUMENT STATUS	P1	RELEASE DATE	2021/07/05	08:39:21
-----------------	----	--------------	------------	----------