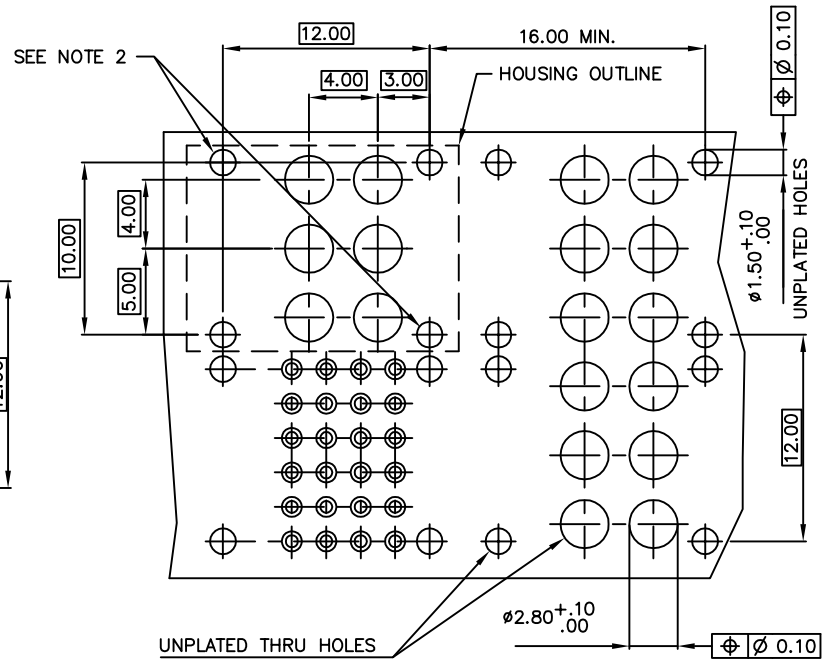
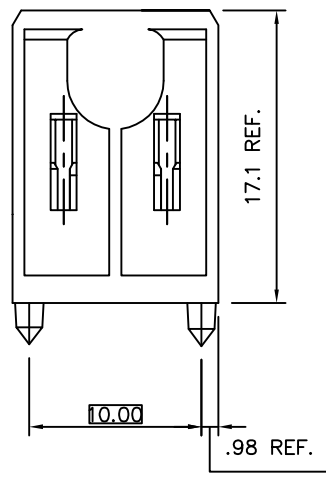
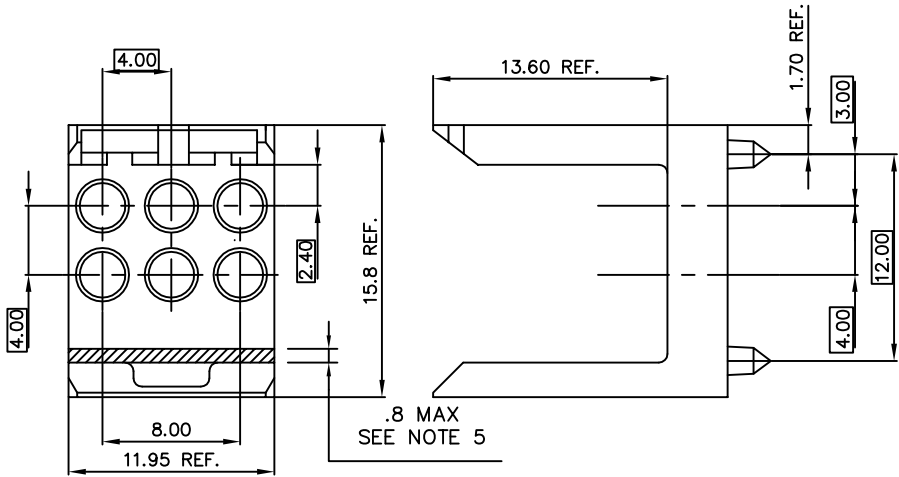


PRODUCT NUMBER
88913-101LF



RECOMMENDED HOLE PATTERN COMPONENT SIDE
2MM SIGNAL HOLE PATTERN SHOWN FOR REFERENCE ONLY

- NOTES:
1. MATERIAL: LCP, 30% GLASS FILLED
COLOR: NATURAL
FLAME RETARDANT ACC. UL 94-V0
 2. THESE HOLES NEEDED WHEN USED IN A CENTER PLANE APPLICATION WITH A HYBRID ON EACH SIDE OF THE CENTER PLANE.
 3. THE -101LF (SHEET 1) HOUSING IS TO BE USED WITH MINI-COAX PLUG/PLUG INSERTS, 70296-002LF.
 4. THE -111LF (SHT 2) AND -121LF (SHT 3) HOUSING, IS TO BE USED WITH MINI-COAX INSERTS 88971 OR 88978.
 5. THIS AREA MAY CONTAIN IDENTIFICATION SUCH AS MOLD NUMBER, MOLD CAVITY NUMBER AND/OR MANUFACTURING LOCATION.

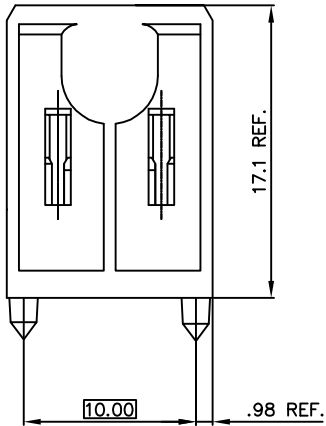
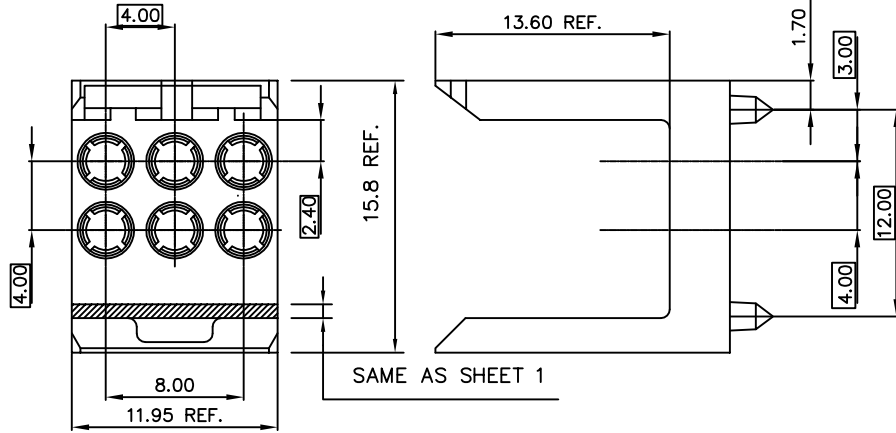
6. PART NUMBER WITH "LF" SUFFIX AT THE END IS LEAD FREE.

7. THIS PRODUCT MEETS EUROPEAN UNION DIRECTIVES AND OTHER COUNTRY REGULATION AS DESCRIBED IN GS-22-008.

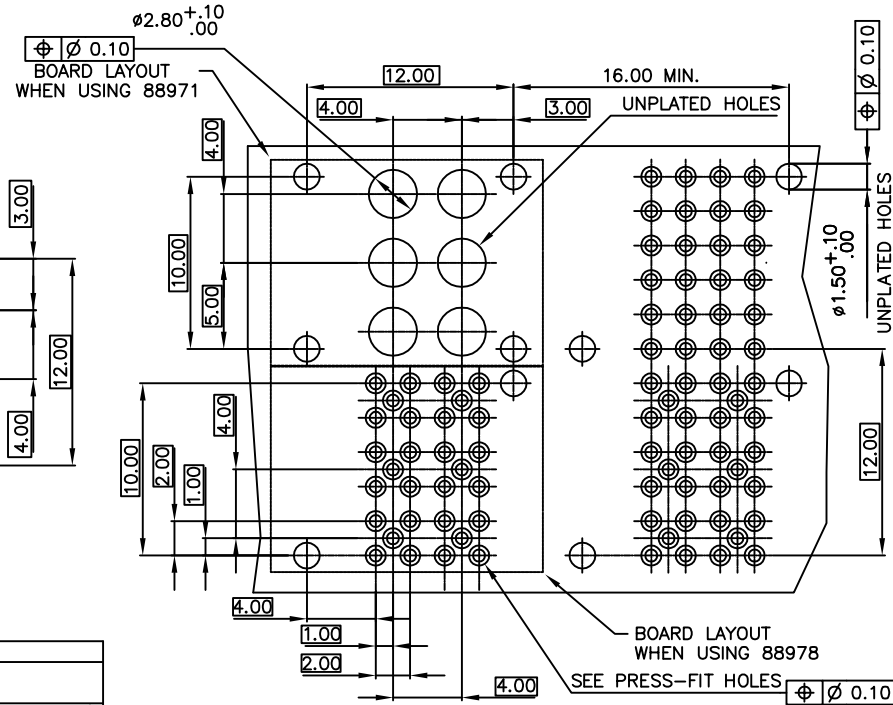
8. THE HOUSING WILL WITHSTAND EXPOSURE TO 260°C PEAK TEMPERATURE FOR 15 SECONDS IN A WAVE SOLDER APPLICATION WITH A 1.5mm MINIMUM THICK CIRCUIT BOARD OR FOR 10-20 SECONDS IN A CONVECTION, INFRA-RED OR VAPOR PHASE REFLOW OVEN. SEE APPLICATION NOTES/PROCEDURES IF THEY ARE AVAILABLE.

mat'l. code		surface		tolerance		projection		product family	
SEE NOTES		ISO 1302		ISO 406		MM		METRAL ACC	
tolerances unless otherwise specified		linear		.00±.13		scale 1:1		title	
12mm MINI-HYBRID		.0±.3		.000±.0051				88913	
12mm MINI-HYBRID								A3	
12mm MINI-HYBRID								Product Customer Drawing	
12mm MINI-HYBRID								sheet 1 of 3	
12mm MINI-HYBRID								88913	
12mm MINI-HYBRID								type	
12mm MINI-HYBRID								Product Customer Drawing	
12mm MINI-HYBRID								sheet	
12mm MINI-HYBRID								revision	
12mm MINI-HYBRID								P P P	
12mm MINI-HYBRID								1 2 3	
12mm MINI-HYBRID								sheet	
12mm MINI-HYBRID								index	

PRODUCT NUMBER
88913-111LF



PRESS-FIT HOLES	
HOLE DIAMETER AFTER PLATING	0.65 - 0.80
DRILLED HOLE	0.81 - 0.86 (0.85 DRILL)
COPPER PLATING	0.025 MIN.
TIN PLATING	0.005 - 0.015



RECOMMENDED HOLE PATTERN COMPONENT SIDE
2MM SIGNAL HOLE PATTERN SHOWN FOR REFERENCE ONLY

NOTES:

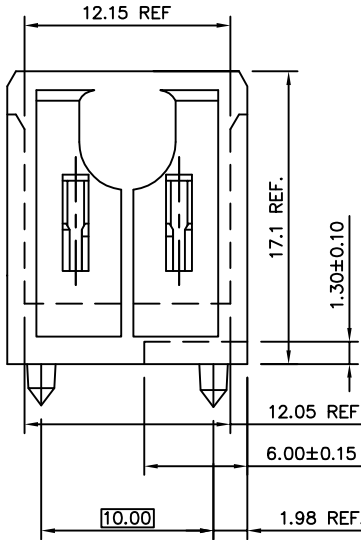
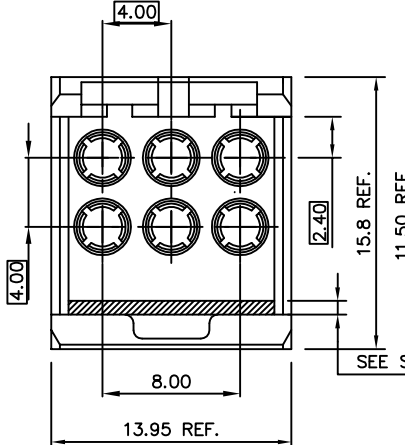
- MATERIAL: LCP, 30% GLASS FILLED
COLOR: NATURAL
FLAME RETARDANT ACC. UL 94-V0
- THE -111LF AND -121LF (SHEET 3) HOUSING IS TO BE USED WITH THE PRESS-FIT TO BOARD MINI-COAX INSERT, 88978-001LF OR MINI-COAX PLUG/PLUG COUPLERS, 88971-002LF.

- PART NUMBER WITH "LF" SUFFIX AT THE END IS LEAD FREE.
- THIS PRODUCT MEETS EUROPEAN UNION DIRECTIVES AND OTHER COUNTRY REGULATION AS DESCRIBED IN GS-22-008.
- THE HOUSING WILL WITHSTAND EXPOSURE TO 260°C PEAK TEMPERATURE FOR 15 SECONDS IN A WAVE SOLDER APPLICATION WITH A 1.5mm MINIMUM THICK CIRCUIT BOARD OR FOR 10-20 SECONDS IN A CONVECTION, INFRA-RED OR VAPOR PHASE REFLOW OVEN. SEE APPLICATION NOTES/PROCEDURES IF THEY ARE AVAILABLE.

mat'l. code		surface		tolerance		projection		product family	
SEE NOTES		ISO 1302		ISO 406		MM		METRAL ACC	
ISO 1101		tolerances unless otherwise specified		.0±.3		MM		title	
ltr		ecn no		dr		date		12mm MINI-HYBRID HEADER HOUSING	
P		angles		linear		.00±.13		dwg no	
		0°±2'				.000±.0051		sheet 2 of 3	
		dr		S.STONER		6/11/92		size	
		enrg		R.DOETRICH		6/11/92		88913	
		chr		S.STONER		6/11/92		A3	
		appd		S.STONER		6/11/92		type	
								Product Customer Drawing	
sheet index		revision sheet							

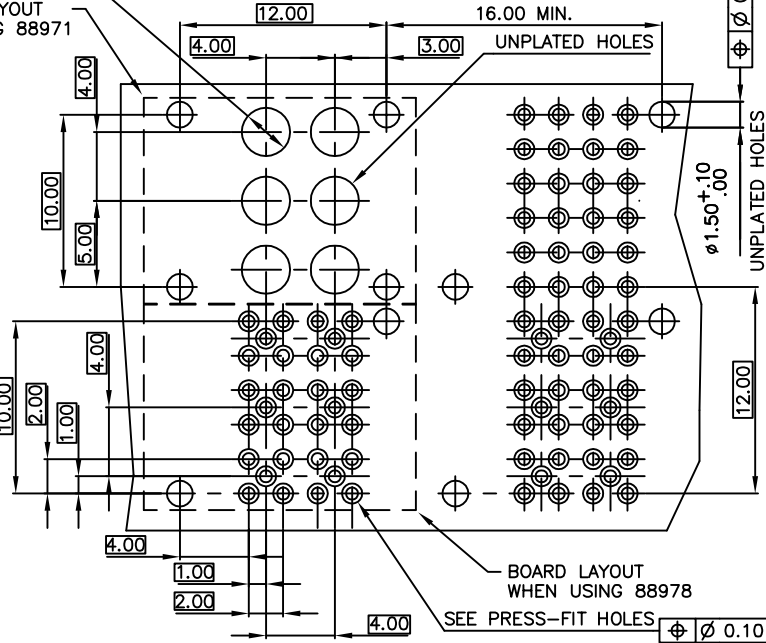
PRODUCT NUMBER

88913-121LF



PRESS-FIT HOLES	
HOLE DIAMETER AFTER PLATING	0.65 - 0.80
DRILLED HOLE	0.81 - 0.86 (0.85 DRILL)
COPPER PLATING	0.025 MIN.
TIN PLATING	0.005 - 0.015

BOARD LAYOUT WHEN USING 88971
 $\phi 2.80^{+0.10}_{.00}$
 $\phi \ 0.10$



RECOMMENDED HOLE PATTERN COMPONENT SIDE
 2MM SIGNAL HOLE PATTERN SHOWN FOR REFERENCE ONLY

- ③ PART NUMBER WITH "LF" SUFFIX AT THE END IS LEAD FREE.
- 4. THIS PRODUCT MEETS EUROPEAN UNION DIRECTIVES AND OTHER COUNTRY REGULATION AS DESCRIBED IN GS-22-008.
- 5. THE HOUSING WILL WITHSTAND EXPOSURE TO 260°C PEAK TEMPERATURE FOR 15 SECONDS IN A WAVE SOLDER APPLICATION WITH A 1.5mm MINIMUM THICK CIRCUIT BOARD OR FOR 10-20 SECONDS IN A CONVECTION, INFRA-RED OR VAPOR PHASE REFLOW OVEN. SEE APPLICATION NOTES/PROCEDURES IF THEY ARE AVAILABLE.

- NOTES:
1. MATERIAL: LCP, 30% GLASS FILLED, FLAME RETARDANT ACC. UL 94-V0
 COLOR: NATURAL
 2. THE -111LF AND -121LF (SHEET 3) HOUSING IS TO BE USED WITH THE PRESS-FIT TO BOARD MINI-COAX INSERT, 88978-001LF OR MINI-COAX PLUG/PLUG COUPLERS, 88971-002LF.

mat'l. code		surface		tolerance		projection		product family	
SEE NOTES		ISO 1302		ISO 406				METRAL ACC	
Ltr		ecn no		dr		date		title	
P								12mm MINI-HYBRID HEADER HOUSING	
		angles		linear		MM		88913	
		0°±2'		.00±.0051		scale 1:1		sheet 3 of 3	
		dr		S.STONER		6/11/92		size	
		enrg		R.DOUTRICH		6/11/92		A3	
		chr		S.STONER		6/11/92		type	
		appd		S.STONER		6/11/92		Product Customer Drawing	
sheet index		revision sheet							