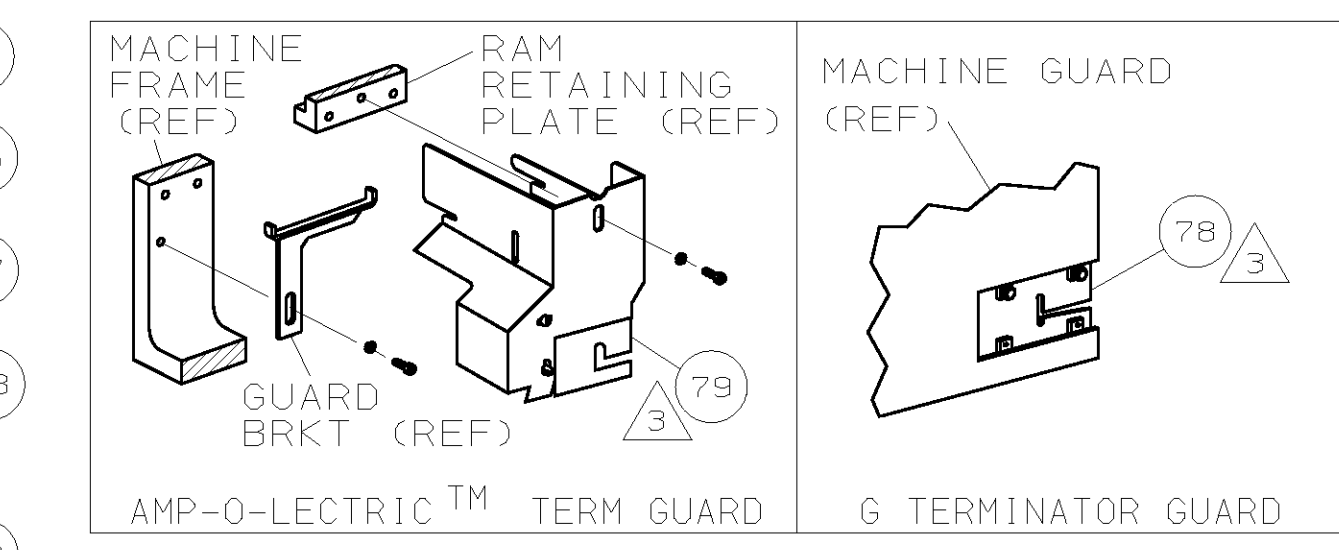
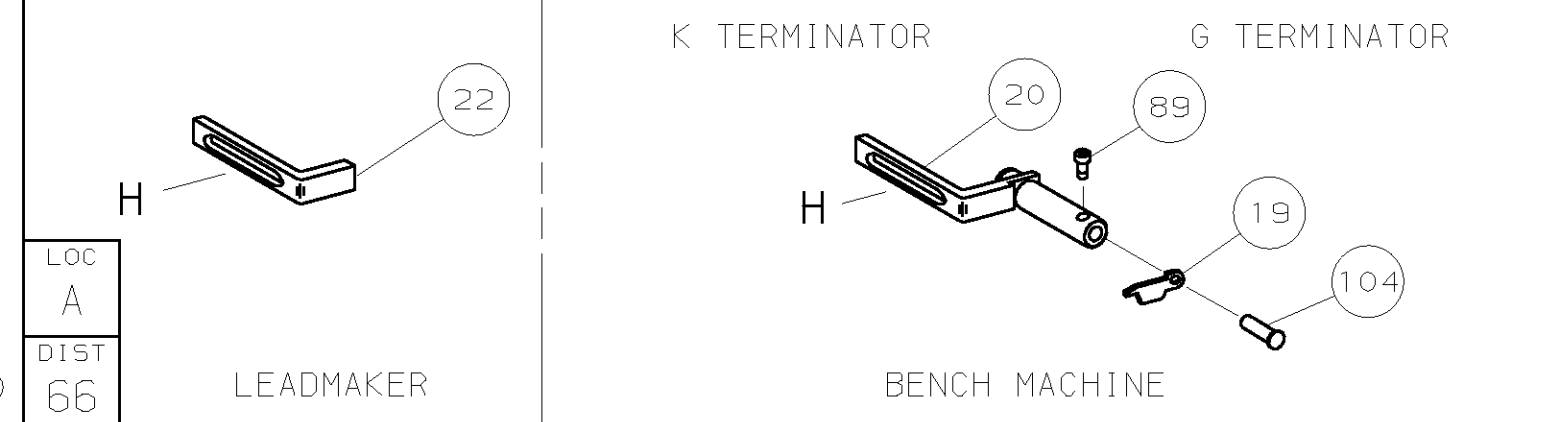
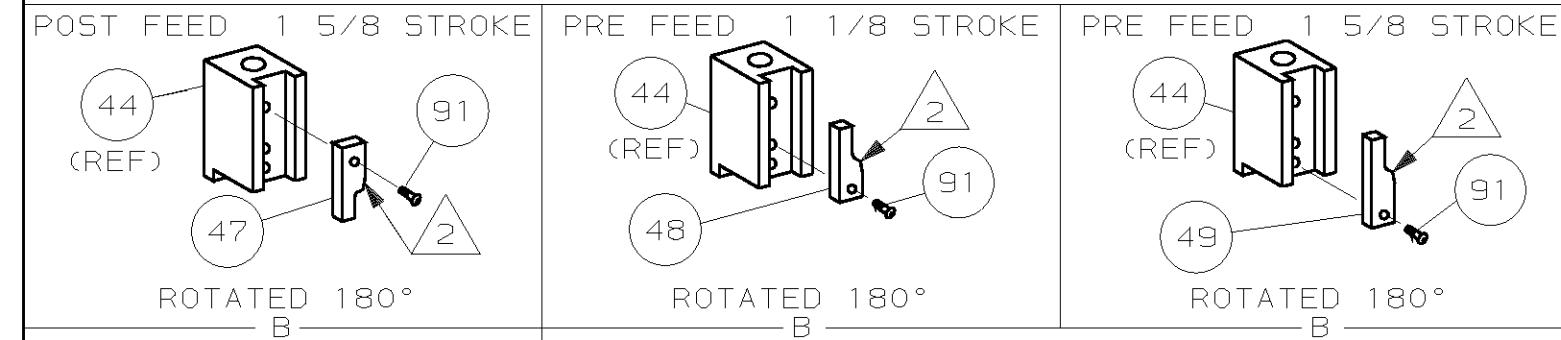
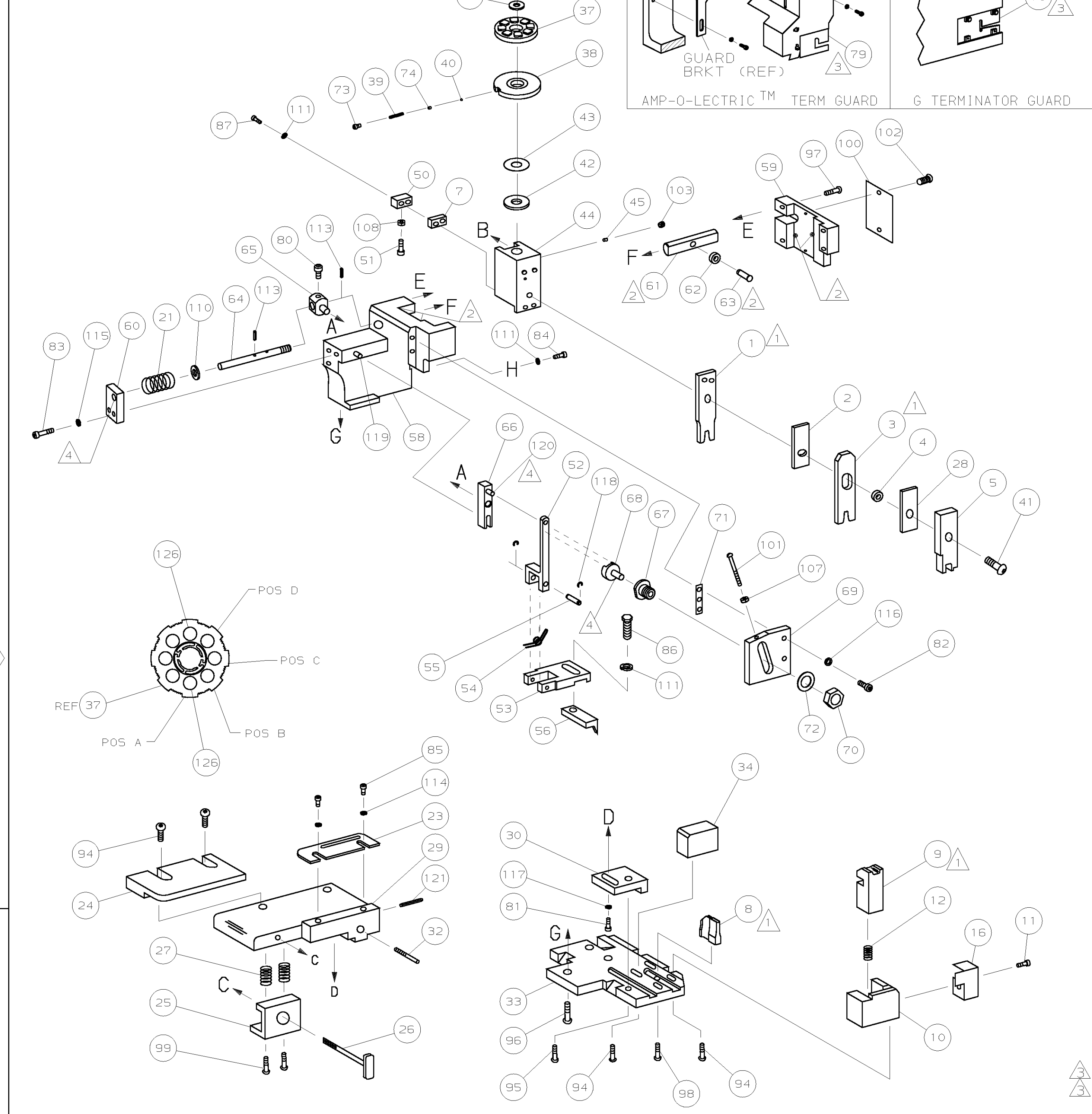


PART NUMBER	REV	FIRST USED
680824-1	A	122500-1
680824-2	A	565435-5
680824-3	A	354500-1



- 1 RECOMMENDED SPARE PARTS.
- 2 GREASE LIGHTLY.
- 3 GUARD MUST BE IN PLACE WHEN OPERATING APPLICATOR IN A BENCH MACHINE.
- 4 LUBRICATE DAILY USING NO. 20 MACHINE OIL.
5. ITEMS WITH QTY OF REF SPECIFIED (EXCEPT ITEMS 78 AND 79) ARE USED ON ITEM 46.

TERMINAL NAME: SOCKET TERMINAL			
AMP P/N	MFG P/N	CRIMP DATA (NON-AMP TERMINAL-AMP SPEC)	
286809	15326624	PAD LTR	CRIMP HEIGHT
		A	.033 ±.002 [0.84 ±0.05mm]
		B	NOT USED
		C	NOT USED
		D	NOT USED
		CRIMP SIZE	TYPE
		WIRE .055 [1.40mm]	F
		INSUL .070 [1.78mm]	F

WIRE STRIP LENGTH	TERM APPL SPEC	FEED	APPL INSTRUCTION	SET UP GAGE	LAYOUT
.109-.125	NONE	.275	408-8040	458637-1	L2239
PARTS LIST					
QTY	REF	REF	REF	REF	REF
2	1	1	1	-	C
1	1	1	-	A	4-354779-8
1	1	1	-	A	986950-1
1	1	1	-	A	217238-1
1	1	1	-	-	4088040
1	1	1	-	A	4-21028-0
REF	REF	REF	-	A	1-21030-1
REF	REF	REF	-	A	1-21030-6
REF	REF	REF	-	A	21045-3
1	1	1	-	A	21024-5
REF	REF	REF	-	A	21024-5
REF	REF	REF	-	A	21024-5
2	2	2	-	A	21024-2
REF	REF	REF	-	A	5-21028-1
4	4	4	-	A	21024-4
REF	REF	REF	-	A	21899-4
1	1	1	-	A	21018-5
REF	REF	REF	-	A	21068-5
1	1	-	-	A	992031-1
1	1	1	-	A	21009-2
2	2	2	-	A	21017-2
REF	REF	REF	-	A	6-23715-5
1	1	1	-	B	461264-1
2	2	2	-	A	3-21002-0
1	1	1	-	A	22733-8
REF	REF	REF	-	A	2-21002-9
REF	REF	REF	-	A	2-22733-8
REF	REF	REF	-	A	2-21002-7
6	6	6	-	A	2-21002-2
1	1	1	-	A	1-21002-7
1	1	-	-	A	7-21000-9
2	2	2	-	A	2-21000-8
1	1	1	-	A	2-22603-0
2	2	2	-	A	1-21000-3
1	1	1	-	A	2-21000-7
REF	REF	REF	-	A	3-21000-7
REF	REF	REF	-	A	3-21000-6
1	1	1	-	A	3-21000-4
REF	REF	REF	-	A	3-21000-4
-	REF	-	-	B	455749-1
REF	-	-	-	B	679532-1
1	1	1	-	A	690603-1
1	1	1	-	A	23030-1
REF	REF	REF	-	A	458109-1
REF	REF	REF	-	A	190517-1
-3	-2	-1	U/M	DWG SIZE	PART NO
QTY RECD PER ASSY					

LEADMAKER				MECH POST FEED				
BENCH MODEL K				MECH PRE FEED				
BENCH MODEL G				MECH PRE FEED				
REF	REF	REF	-	B	22594-8	NUT, HEX (1/2-20)		70
REF	REF	REF	-	B	240628-1	PLATE, ADJUSTMENT		69
REF	REF	REF	-	B	240626-1	SHAFT, PIVOT		68
REF	REF	REF	-	B	240633-1	BUSHING		67
REF	REF	REF	-	A	455680-1	LEVER, INTERMEDIATE		66
REF	REF	REF	-	B	240629-1	BLOCK, PIVOT		65
REF	REF	REF	-	A	240632-2	SCREW, ADJ FEED ROD		64
REF	REF	REF	-	B	240659-3	PIN, CAM ROLLER		63
REF	REF	REF	-	B	240658-1	ROLLER, CAM		62
REF	REF	REF	-	B	454398-2	ROD, FEED		61
REF	REF	REF	-	A	454178-1	GUIDE, FEED ROD		60
REF	REF	REF	-	C	454220-1	CAP, RAM		59
REF	REF	REF	-	D	454485-1	HOUSING		58
1	1	1	-	B	690542-2	PAWL, FEED		56
REF	REF	REF	-	B	240624-1	PIN, FEED FINGER		55
REF	REF	REF	-	B	691499-1	SPRING, FEED FINGER		54
REF	REF	REF	-	B	690541-1	HOLDER, FEED FINGER		53
REF	REF	REF	-	A	455679-1	LEVER, TERMINAL FEED ARM		52
1	1	1	-	A	811242-2	BUMPER, HOLDDOWN		51
1	1	1	-	A	690753-1	SPACER, TONKER		50
1	-	-	-	B	690602-6	CAM, PRE-FEED 1 5/8 ST		49
-	1	-	-	B	690602-5	CAM, PRE-FEED 1 1/8 ST		48
-	-	1	-	B	690501-4	CAM, POST-FEED 1 5/8 ST		47
1	1	1	-	B	459456-1	APPLICATOR, BASIC (SUBASSY)		46
1	1	1	-	A	690191-1	PLUG, NYLON		45
1	1	1	-	C	455673-1	RAM		44
1	1	1	-	A	690125-1	WASHER, LAMINATED		43
1	1	1	-	A	690124-1	WASHER, RAM		42
1	1	1	-	A	7-21002-9	BOLT, CRIMPER (5/16x1.00)		41
1	1	1	-	A	23241-6	BALL, STEEL		40
1	1	1	-	A	690170-1	SPRING, COMPRESSION		39
1	1	1	-	C	690142-1	DISC, INSULATION		38
1	1	1	-	D	354777-1	WIRE DISC, PLASTIC		37
1	1	1	-	A	22480-5	WASHER, SPRING		36
1	1	1	-	B	690212-1	POST, RAM		35
1	1	1	-	B	690786-6	SUPPORT, TERMINAL		34
REF	REF	REF	-	D	455675-1	PLATE, BASE		33
1	1	1	-	A	690432-3	SCREW, ADJUSTMENT		32
REF	REF	REF	-	B	455689-1	BLOCK, STRIP GUIDE ADJ		30
1	1	1	-	C	455671-3	PLATE, STRIP GUIDE		29
1	1	1	-	C	1-455888-7	SPACER, FRONT SHEAR DEP		28
2	2	2	-	A	1-22284-0	SPRING, DRAG		27
1	1	1	-	B	690546-1	LEVER, DRAG RELEASE		26
1	1	1	-	B	240792-1	DRAG, TERMINAL		25
1	1	1	-	D	6-690504-3	GUIDE, STRIP (REAR)		24
1	1	1	-	A	690438-1	GUIDE, STRIP (FRONT)		23
-	-	1	-	B	690472-2	STRIPPER		22
REF	REF	REF	-	A	4-22284-9	SPRING, FEED RETURN		21
1	1	-	-	A	679218-1	STRIPPER WIRE STOP ASSY		20
1	1	-	-	B	458949-1	STRIPPER		19
1	1	-	-	B	318563-1	GUARD, CHIP, FRONT		16
1	1	1	-	A	5-22280-0	SPRING, SHEAR		12
1	1	1	-	B	690461-1	STOP, SHEAR		11
1	1	1	-	C	690459-1	HOLDER, SHEAR (FRONT)		10
1	1	1	-	C	462006-2	SHEAR, FLOAT (FRONT)		9
1	1	1	-	C	1-662183-2	ANVIL		8
1	1	1	-	C	1-240641-0	SPACER, DEPRESSOR (REAR)		7
1	1	1	-	C	2-455889-0	DEPRESSOR, SHEAR (FRONT)		5
1	1	1	-	B	238011-6	SPACER, BLOCK CRIMPER		4
1	1	1	-	C	3-683453-3	CRIMPER, INSULATION		3
1	1	1	-	C	455888-5	SPACER, CRIMPER		2
1	1	1	-	C	1-456402-0	CRIMPER, WIRE		1
-3	-2	-1	U/M	DWG SIZE	PART NO	DESCRIPTION		ITEM NO
QTY RECD PER ASSY								

THIS DRAWING IS A CONTROLLED DOCUMENT.

THIS DRAWING IS UNRELEASED. RELEASED FOR PUBLICATION BY AMP INCORPORATED. ALL RIGHTS RESERVED. AMP 1756 REV 3-92