

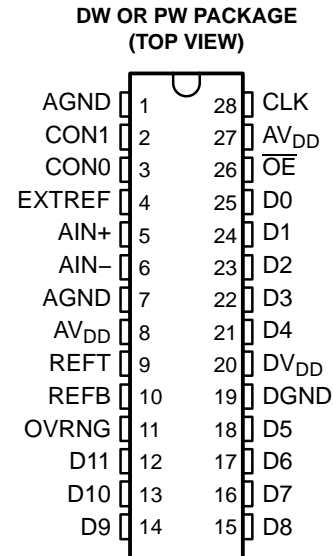
3.3-V, 12-BIT, 15 MSPS, LOW-POWER ANALOG-TO-DIGITAL CONVERTER WITH POWER DOWN

FEATURES

- **Input Configurations:**
 - Differential 0.5x Gain
 - Differential 1x Gain
- **3.3-V Supply Operation**
- **Internal Voltage Reference**
- **Out-of-Range Indicator**
- **Power-Down Mode**

APPLICATIONS

- **Camcorders**
- **Digital Cameras**
- **Copiers**
- **Communications**
- **Test Instruments**
- **Baseband Digitization**



DESCRIPTION

The THS1215 is a CMOS, low-power, 12-bit, 15 MSPS analog-to-digital converter (ADC) that operates with a 3.3-V supply. The THS1215 gives circuit developers complete flexibility. The analog input to the THS1215 is differential with a gain of 1.0 in Mode 1 and 0.5 in Mode 2. The THS1215 provides a wide selection of voltage references to match the user's design requirements. For more design flexibility, the internal reference can be bypassed to use an external reference to suit the dc accuracy and temperature drift requirements of the application. The out-of-range output is used to monitor any out-of-range condition in the THS1215's input range.

The speed, resolution, and single-supply operation of the THS1215 are suited for applications in video, multimedia, high-speed acquisition, and communications. The speed and resolution ideally suit charge-couple device (CCD) input systems such as digital copiers, digital cameras, and camcorders. The wide input voltage range between V_{REFB} and V_{REFT} allows the THS1215 to be designed into multiple systems.

The THS1215C is characterized for operation from 0°C to 70°C. The THS1215I is characterized for operation from -40°C to 85°C.



Please be aware that an important notice concerning availability, standard warranty, and use in critical applications of Texas Instruments semiconductor products and disclaimers thereto appears at the end of this data sheet.



This integrated circuit can be damaged by ESD. Texas Instruments recommends that all integrated circuits be handled with appropriate precautions. Failure to observe proper handling and installation procedures can cause damage.

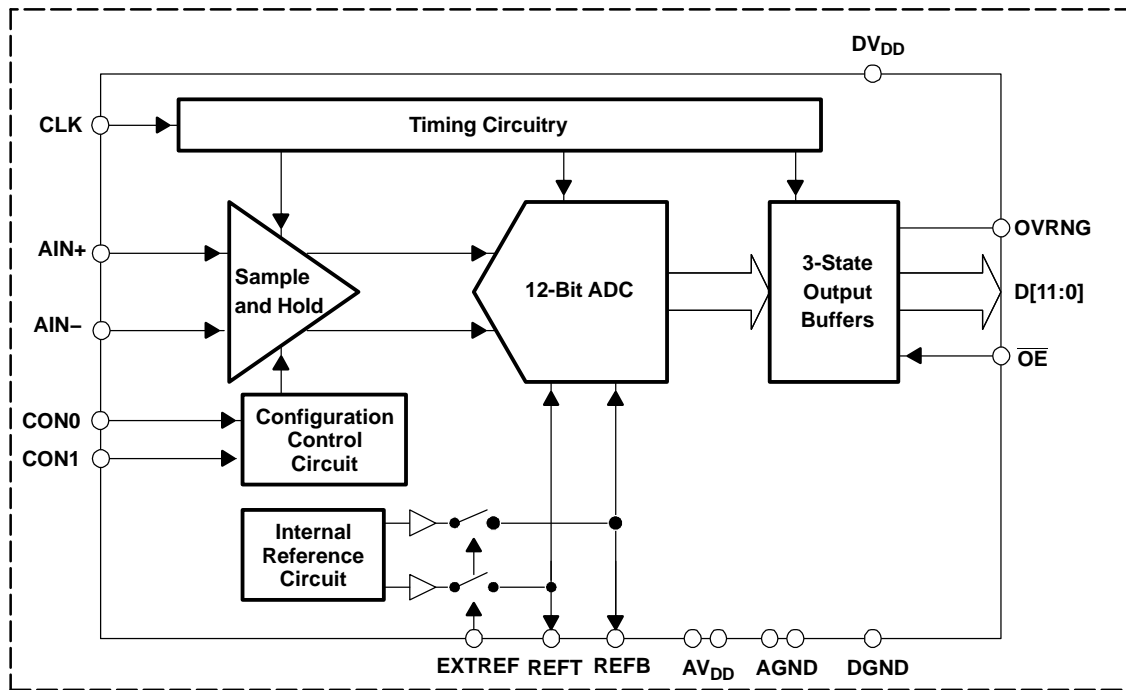
ESD damage can range from subtle performance degradation to complete device failure. Precision integrated circuits may be more susceptible to damage because very small parametric changes could cause the device not to meet its published specifications.

ORDERING INFORMATION

PRODUCT	PACKAGE-LEAD	PACKAGE DESIGNATOR ⁽¹⁾	SPECIFIED TEMPERATURE RANGE	PACKAGE MARKING	ORDERING NUMBER	TRANSPORT MEDIA, QUANTITY
THS1215	TSSOP-28	PW	0°C TO 70°C	TH1215	THS1215 CPW	Tube, 50
THS1215	TSSOP-28	PW	0°C TO 70°C	TH1215	THS1215 CPWR	Tape and reel, 2000
THS1215	TSSOP-28	PW	–40°C TO 85°C	TJ1215	THS1215 IPW	Tube, 50
THS1215	TSSOP-28	PW	–40°C TO 85°C	TJ1215	THS1215 IPWR	Tape and reel, 2000
THS1215	SOP-28	DW	0°C TO 70°C	TH1215	THS1215 CDW	Tube, 20
THS1215	SOP-28	DW	0°C TO 70°C	TH1215	THS1215 CDWR	Tape and reel, 1000
THS1215	SOP-28	DW	–40°C TO 85°C	TJ1215	THS1215 IDW	Tube, 20
THS1215	SOP-28	DW	–40°C TO 85°C	TJ1215	THS1215 IDWR	Tape and reel, 1000

(1) For the most current specifications and package information refer to our Web site at www.ti.com.

FUNCTIONAL BLOCK DIAGRAM



TERMINAL FUNCTIONS

TERMINAL NAME	NO.	I/O	DESCRIPTION
AGND	1, 7	I	Analog ground
AV _{DD}	8, 27	I	Analog supply
AIN+	5	I	Positive analog input
AIN-	6	I	Negative analog input
CLK	28	I	ADC conversion clock
CON1	2	I	Configuration input 1
CON0	3	I	Configuration input 0
DGND	19	I	Digital ground
DV _{DD}	20	I	Digital supply
D11	12	O	ADC data bit 11
D10	13	O	ADC data bit 10
D9	14	O	ADC data bit 9
D8	15	O	ADC data bit 8
D7	16	O	ADC data bit 7
D6	17	O	ADC data bit 6
D5	18	O	ADC data bit 5
D4	21	O	ADC data bit 4
D3	22	O	ADC data bit 3
D2	23	O	ADC data bit 2
D1	24	O	ADC data bit 1
D0	25	O	ADC data bit 0
EXTREF	4	I	Reference select input (high = external, low = internal)
OVRNG	11	O	Out of range indicator (high = out of range)
OE	26	I	Output enable (high = disable, low = enable)
REFT	9	I/O	Upper ADC reference voltage
REFB	10	I/O	Lower ADC reference voltage

ABSOLUTE MAXIMUM RATINGS⁽¹⁾

over operating free-air temperature range (unless otherwise noted)

		UNIT
Supply voltage range	AV _{DD} to AGND, DV _{DD} to DGND	–0.3 V to 4 V
	AGND to DGND	–0.3 V to 0.3 V
Reference voltage input range, REFT, REFB to AGND		–0.3 to AV _{DD} + 0.3 V
Analog input voltage range, AIN+, AIN– to AGND		–0.3 to AV _{DD} + 0.3 V
Clock input voltage range, CLK to AGND		–0.3 to AV _{DD} + 0.3 V
Digital input voltage range, digital input to DGND		–0.3 to DV _{DD} + 0.3 V
Digital output voltage range, digital output to DGND		–0.3 to DV _{DD} + 0.3 V
Operating junction temperature range, T _J		–40°C to 150°C
Storage temperature range, T _{STG}		–65°C to 150°C
Lead temperature 1,6 mm (1/16 in) from case for 10 seconds		300°C

(1) Stresses beyond those listed under "absolute maximum ratings" may cause permanent damage to the device. These are stress ratings only, and functional operation of the device at these or any other conditions beyond those indicated under "recommended operating conditions" is not implied. Exposure to absolute-maximum-rated conditions for extended periods may affect device reliability.

SLAS292A–MARCH 2001–REVISED MARCH 2004

RECOMMENDED OPERATING CONDITIONSover operating free-air temperature range, T_A (unless otherwise noted)

		MIN	NOM	MAX	UNIT		
POWER SUPPLY							
Supply voltage	AV_{DD} DV_{DD}	3.0	3.3	3.6	V		
ANALOG AND REFERENCE INPUTS							
Reference input voltage	V_{REFT}	$f_{CLK} = 5 \text{ MHz to } 15 \text{ MHz}$		2.0	2.15	2.5	V
	V_{REFB}	$f_{CLK} = 5 \text{ MHz to } 15 \text{ MHz}$		1.05	1.15	1.3	
Reference voltage differential, $V_{REFT} - V_{REFB}$		$f_{CLK} = 5 \text{ MHz to } 15 \text{ MHz}$		0.95	1.0	1.05	V
Analog input voltage differential, $(AIN+) - (AIN-)^{(1)}$		CON1 = 0, CON0 = 1		-1.0		1.0	V
		CON1 = 1, CON0 = 0		-2.0		2.0	V
Analog input capacitance, C_i						10	pF
Clock input ⁽²⁾		0		AV_{DD}			V
DIGITAL OUTPUTS							
Minimum digital output load resistance, R_L		100					k Ω
Maximum digital output load capacitance, C_i		0	10	15			pF
DIGITAL INPUTS							
High-level input voltage, V_{IH}		2.4		DV_{DD}			V
Low-level input voltage, V_{IL}		DGND		0.8			V
Clock frequency, f_{CLK} , See Note ⁽³⁾		5		30			MHz
Clock pulse duration, $t_{W(CLKL)}$, $t_{W(CLKH)}$		$f_{CLK} = 15 \text{ MHz}$		30	33.3	36.7	ns
Operating free-air temperature, T_A		TH1215		0		70	$^{\circ}\text{C}$
		TJ1215		-40		85	

(1) Based on $V_{REFT} - V_{REFB} = 1.0 \text{ V}$, varies proportional to the $V_{REFT} - V_{REFB}$ value. AIN+ and AIN- inputs must always be greater than 0 V and less than AV_{DD} .

(2) Clock pin is referenced to AGND and powered by AV_{DD} .

(3) Clock frequency can be extended to this range without degradation of performance.

ELECTRICAL CHARACTERISTICS

 over recommended operating conditions ($AV_{DD} = DV_{DD} = 3.3\text{ V}$, $f_s = 15\text{ MHz/50\% duty cycle}$, $MODE = 1$, 1-V input span, internal reference, T_{min} to T_{max}) (unless otherwise noted)

DIGITAL INPUTS AND OUTPUTS (all supplies = 3.3 V)							
PARAMETER		TEST CONDITION	MIN	TYP	MAX	UNIT	
DIGITAL INPUTS							
V_{IH}	High level input voltage	All other inputs	$0.8 \times DV_{DD}$			V	
		CLK	$0.8 \times AV_{DD}$				
V_{IL}	Low level input voltage	All other inputs	$0.2 \times DV_{DD}$				
		CLK	$0.2 \times AV_{DD}$				
I_{IH}	High level input current				1	μA	
I_{IL}	Low level input current				-1		
C_i	Input capacitance			5		pF	
DIGITAL OUTPUTS							
V_{OH}	High level output voltage	$I_{load} = 50\ \mu\text{A}$	$DV_{DD}-0.4$			V	
V_{OL}	Low level output voltage	$I_{load} = -50\ \mu\text{A}$	0.4			V	
	High impedance output current		± 1			μA	
t_r/t_f	Rise/fall time	$C_L = 10\ \text{pF}$	4.5			ns	
ANALOG INPUTS							
C_i	Switched input capacitance		6			pF	
$t_{d(ap)}$	Aperture delay time		2			ns	
	Aperture uncertainty (jitter)		2			ns	
	DC leakage current (input = $\pm\text{FS}$)		10			μA	
POWER SUPPLY (CLK = 15 MHz)							
XV_{DD}	Supply voltage (all supplies)		3	3.3	3.6	V	
I_{DD}	Supply current active - total		45			53.5	mA
$I_{(analog)}$	Supply current active - analog		34				mA
$I_{(digital)}$	Supply current active - digital		11				mA
$I_{I(standby)}$	Standby supply current	CLK = 0 MHz				10	μA
$t_{(PU)}$	Power-up time for references from standby	1 μF bypass ⁽¹⁾	770			μs	
		10 μF bypass ⁽¹⁾	6.2			ms	
$t_{(PUconv)}$	Power-up time for valid ADC conversion	1 μF bypass ⁽²⁾	820			ns	
P_D	Power dissipation	Clock = 15 MHz, AIN+ and AIN- at Common Mode or 1.65 V dc	148			177	mW
		Clock = 15 MHz, $f_{in} = 3.58\text{ MHz}$ at -1 dBFS	167				
$P_{D(STBY)}$	Standby power dissipation	CLK = 0 MHz				36	μW
PSRR	Power supply rejection ratio		± 0.1			%FS	

(1) Time for reference to recover to 1% of its final voltage level.

(2) Time for ADC conversions to be accurate to within 0.1% of fullscale.

SLAS292A–MARCH 2001–REVISED MARCH 2004

ELECTRICAL CHARACTERISTICS (CONTINUED)

over recommended operating conditions ($AV_{DD} = DV_{DD} = 3.3\text{ V}$, $f_s = 15\text{ MHz}/50\%$ duty cycle, MODE = 1, 1-V input span, internal reference, T_{min} to T_{max}) (unless otherwise noted)

REFT, REFB REFERENCE VOLTAGE (all supplies = 3.3 V)					
PARAMETER	TEST CONDITION	MIN	TYP	MAX	UNIT
INTERNAL REFERENCE⁽¹⁾					
V_{REFT} Upper reference voltage			2.15		V
V_{REFB} Lower reference voltage			1.15		V
V_{REF} Differential reference voltage, $V_{REFT} - V_{REFB}$		0.95	1	1.05	V
Differential reference voltage, $V_{REFT} - V_{REFB}$ accuracy		-5%		5%	
EXTERNAL REFERENCE					
Externally applied V_{REFT} reference voltage range		2		2.5	V
Externally applied V_{REFB} reference voltage range		1.05		1.3	V
Externally applied ($V_{REFT} - V_{REFB}$) reference voltage range		0.75		1.05	V
External mode V_{REFT} to V_{REFB} impedance			9		k Ω
INTERNAL EXTERNAL REFERENCE					
C_T V_{REFT} decoupling capacitor value			0.1		μF
C_B V_{REFB} decoupling capacitor value			0.1		μF
C_{TB} Decoupling capacitor V_{REFT} to V_{REFB}			10		μF
DC ACCURACY (LINEARITY)					
Number of missing codes	All modes			0	codes
DNL Differential nonlinearity	All modes		± 0.43	± 0.9	LSB
INL Integral nonlinearity	All modes		± 0.6	± 2.5	LSB
Offset error	All modes		1.4	2.2	%FSR
Gain error	All modes		2.2	3.5	%FSR
DYNAMIC PERFORMANCE (all supplies = 3.3 V)					
ENOB Effective number of bits	$f_i = 3.58\text{ MHz}$	10.7	11.1		Bits
THD Total harmonic distortion	$f_i = 3.58\text{ MHz}$		-81.2		dB
SNR Signal-to-noise ratio	$f_i = 3.58\text{ MHz}$	67.4	68.9		dB
SINA Signal-to-noise + distortion	$f_i = 3.58\text{ MHz}$	66	68.6		dB
SFDR Spurious free dynamic range	$f_i = 3.58\text{ MHz}$	72	81.7		dB
Analog input bandwidth			180		MHz
Differential phase, DP			0.12		degree
$G_{(diff)}$ Differential gain			0.01%		
TIMING (all supplies = 3.3 V)					
f_{CLK} Clock frequency ⁽²⁾		5		15	MHz
Clock duty cycle		45%	50%	55%	
$t_{d(O)}$ Output delay time			6	19	ns
$t_{d(PZ)}$ Delay time, output disable to Hi-Z output			3.2		ns
$t_{d(EN)}$ Delay time, output enable to output valid			16	19	ns
Latency			4	5	cycles

(1) The internal reference voltage is not intended for use driving off chip.

(2) The clock frequency may be extended down to 5 MHz without degradation in specified performance.

PARAMETER MEASUREMENT INFORMATION

TIMING DIAGRAM

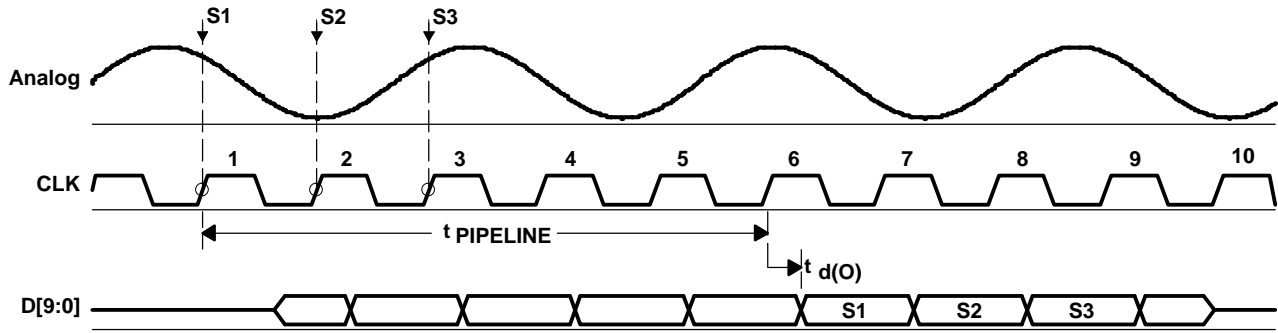


Figure 1. Analog Input and Data Output Timing

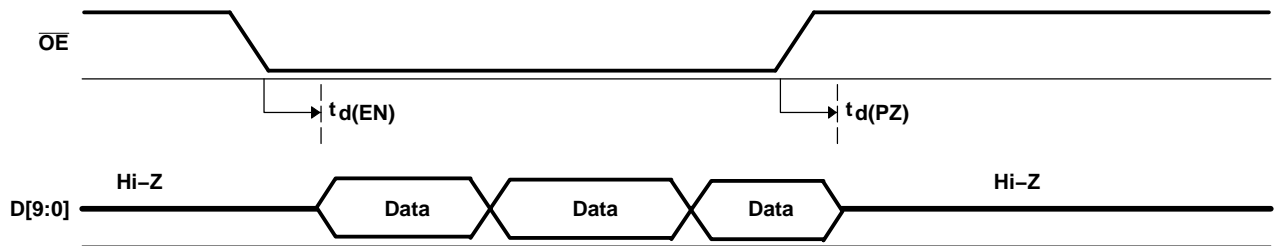


Figure 2. Output Enable Timing

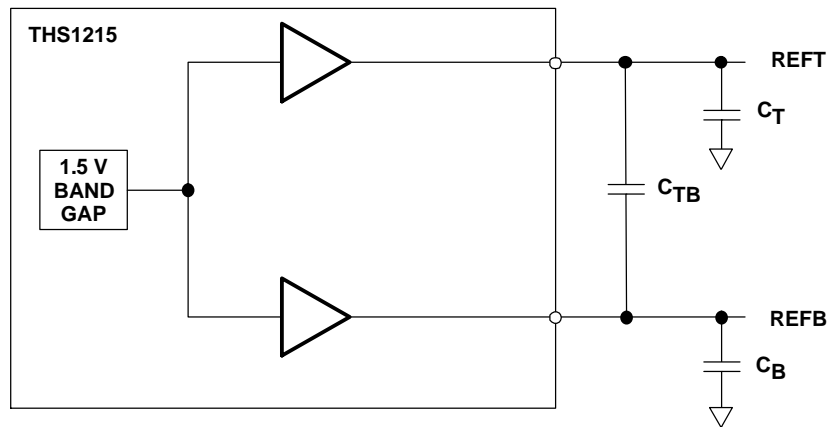


Figure 3. Reference Generation

TYPICAL CHARACTERISTICS

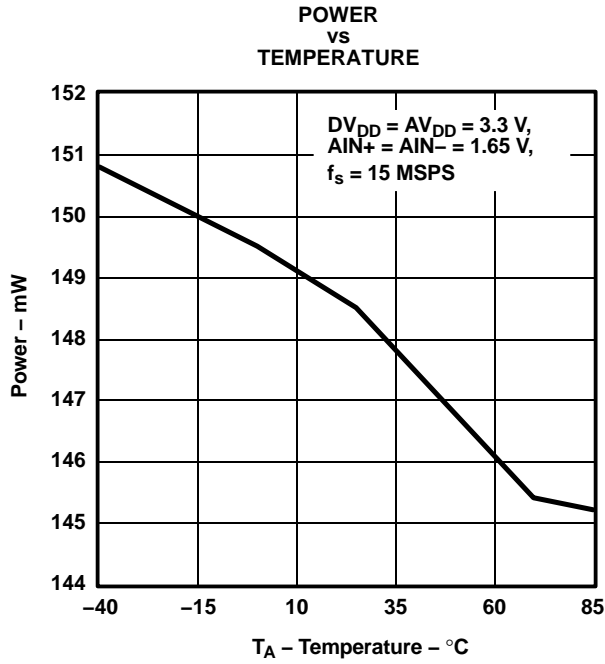


Figure 4.

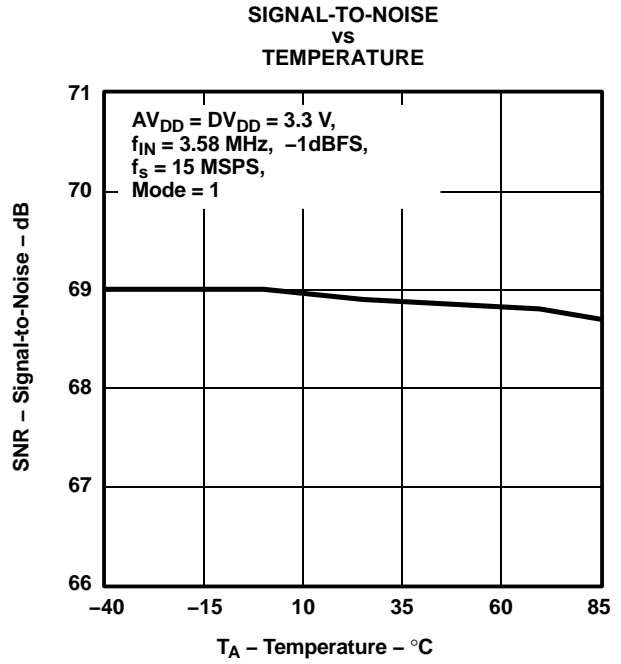


Figure 5.

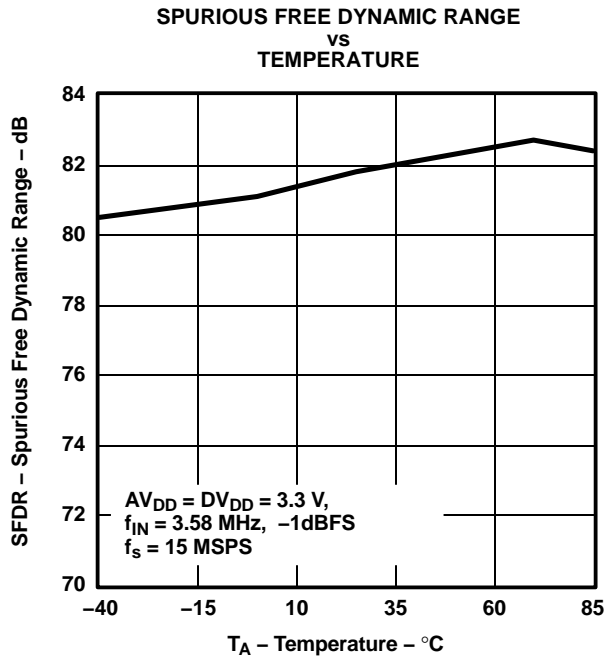


Figure 6.

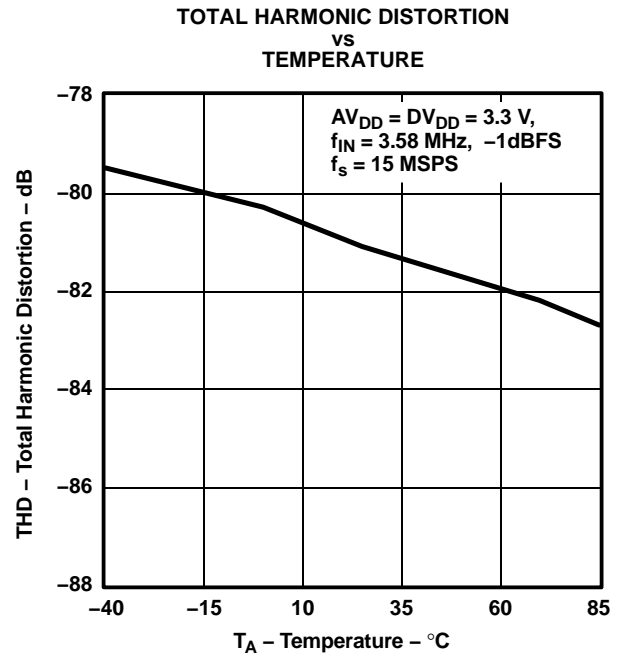
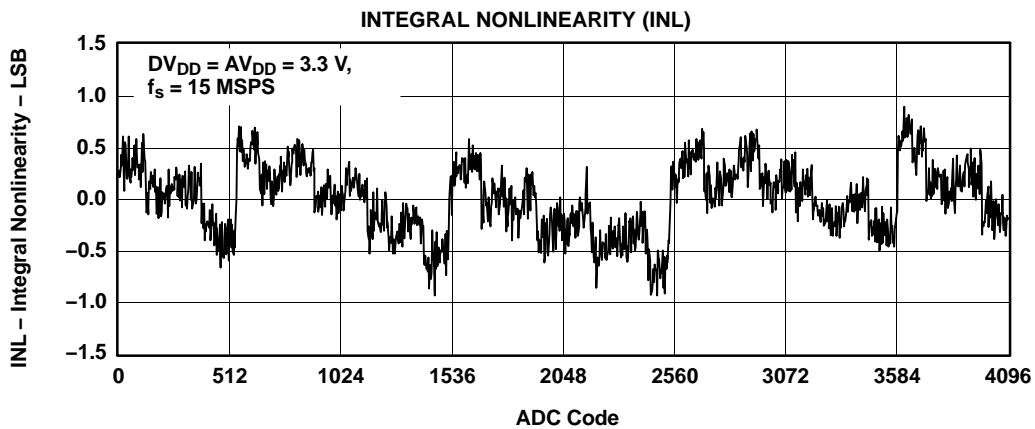
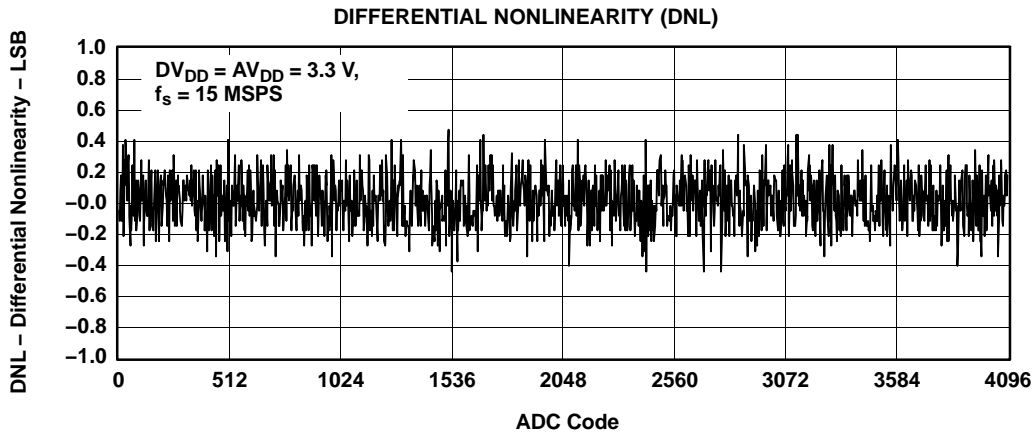
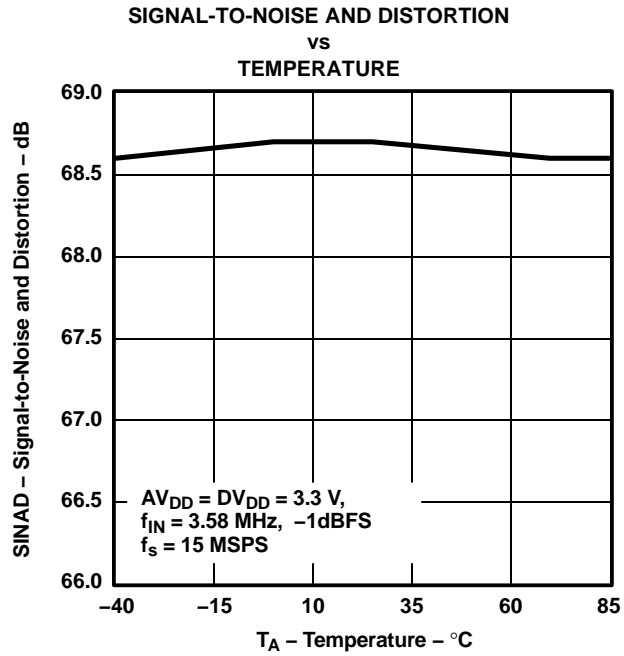


Figure 7.

TYPICAL CHARACTERISTICS (continued)



TYPICAL CHARACTERISTICS (continued)

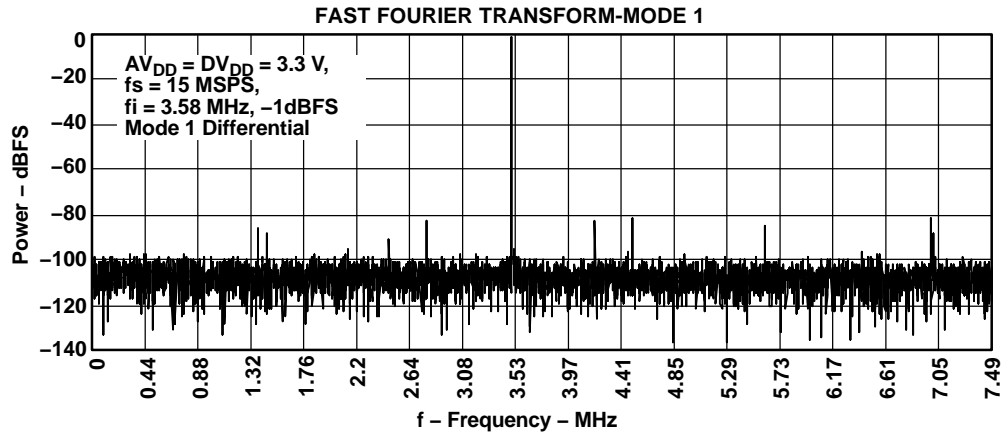


Figure 11.

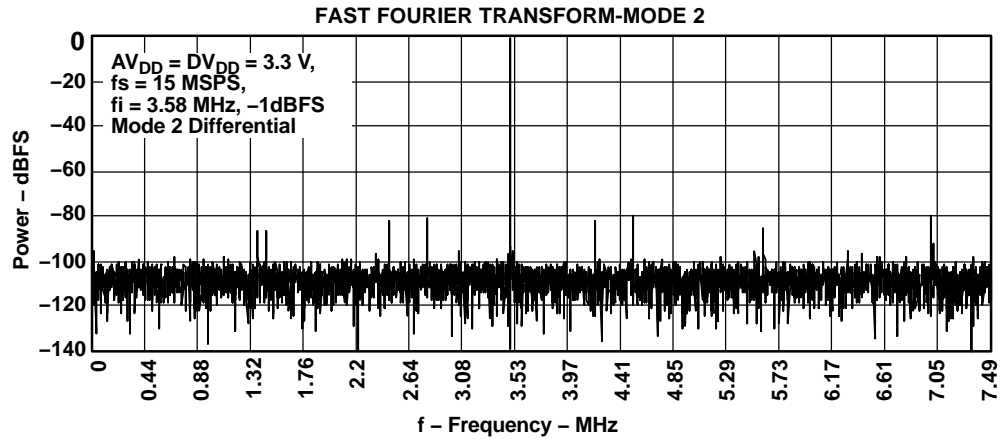


Figure 12.

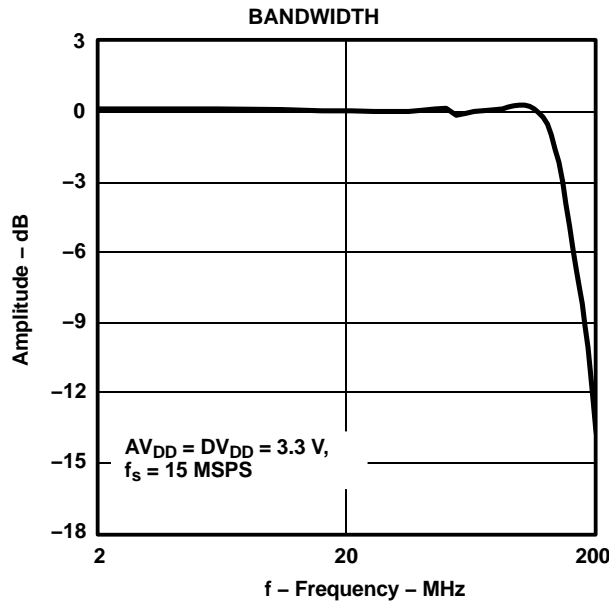


Figure 13.

PRINCIPLES OF OPERATION

ANALOG INPUT

The analog input AIN is sampled in the sample and hold unit, the output of which feeds the ADC CORE, where the process of analog-to-digital conversion is performed against ADC reference voltages, V_{REFT} and V_{REFB} .

Connecting the EXTREF pin to one of two voltages, DGND or DV_{DD} selects one of the two configurations of ADC reference generation. The ADC reference voltages come from either the internal reference buffer or completely external sources. Connect EXTREF to DGND for internal reference generation or to DV_{DD} for external reference generation.

CON0 and CON1 as described below, select the input configuration mode or place the device in power-down state. The ADC core drives out through output buffers to the data pins D0 to D11. The output buffers can be disabled by the \overline{OE} pin.

A single, sample-rate clock (15 MHz maximum) is required at pin CLK. The analog input signal is sampled on the rising edge of CLK, and corresponding data is output after the fifth following rising edge.

The THS1215 can operate in differential Mode 1 or differential Mode 2, controlled by the configuration pins CON0 and CON1 as shown in Table 1. Mode 0 places the THS1215 in power-down or standby state for reduced power consumption.

Table 1. Input Modes of Operation

MODE	CON1	CON0	MODE OF OPERATION
0	0	0	Device powered down
1	0	1	Differential mode $\times 1$
2	1	0	Differential mode $\times 0.5$
3	1	1	Not used

Modes 1 and 2 are shown in Figure 14.

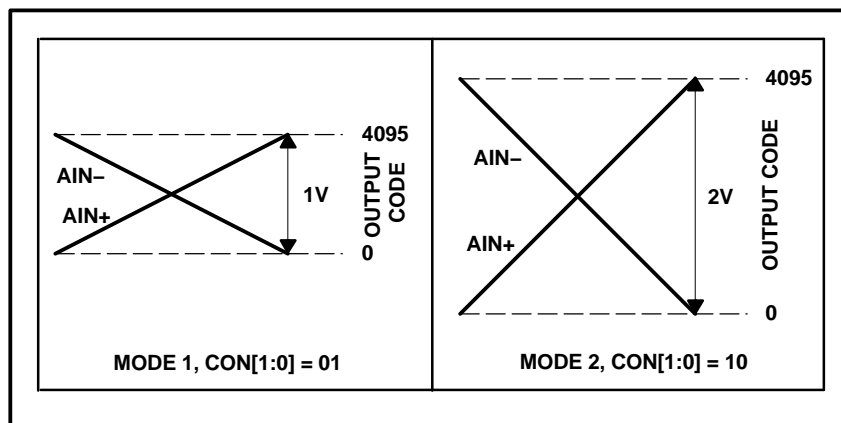


Figure 14. Input Mode Configurations

The gain of the sample and hold changes with the CON1 and the CON0 inputs. Table 2 shows the gain of the sample and hold and the levels applied at the AIN+ and AIN- analog inputs for Mode 1 and Mode 2. The common mode level for the two analog inputs is at $AV_{DD}/2$.

Table 2. Input Mode Switching

MODE	CON1	CON0	(AIN+) – (AIN-) MIN	(AIN+) – (AIN-) MAX	S/H GAIN
1	0	1	-1 V	1 V	$\times 1$
2	1	0	-2 V	2 V	$\times 0.5$

Table 2 assumes that the delta in ADC reference voltages V_{REFT} and V_{REFB} is set to 1 V, i.e., $V_{REFT} - V_{REFB} = 1$ V. Note that V_{REFB} and V_{REFT} can be set externally, which will scale the numbers given in this table.

The user-chosen operating configuration and reference voltages determine what input signal voltage range the THS1215 can handle.

The following sections explain both the internal signal flow of the device and how the input signal span is related to the ADC reference voltages, as well as the ways in which the ADC reference voltages can be buffered internally or externally applied.

SIGNAL PROCESSING CHAIN (Sample and Hold, ADC)

Figure 15 shows the signal flow through the sample and hold unit and the PGA to the ADC core.

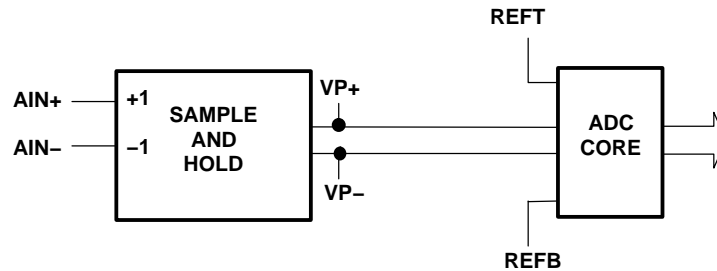


Figure 15. Analog Input Signal Flow

Sample and Hold

The differential sample and hold processes A_{IN} with respect to the voltages applied to the REFT and REFB pins, to give a differential output $(VP+) - (VP-) = VP$ given by:

- $VP = (AIN+) - (AIN-)$

Analog-to-Digital Converter

No matter what operating configuration is chosen, VP is digitized against ADC reference voltages V_{REFT} and V_{REFB} . The V_{REFT} and V_{REFB} voltages set the analog input span limits $FS+$ and $FS-$, respectively. Any voltages at A_{IN} greater than $REFT$ or less than $REFB$ causes ADC over-range, which is signaled by OVR going high when the conversion result is output.

Analog input

A first-order approximation for the equivalent analog input circuit of the THS1215 is shown in Figure 16. The equivalent input capacitance C_1 is 5 pF typical. The input must charge/discharge this capacitance within the sample period of one half of a clock cycle. When a full-scale voltage step is applied, the input source provides the charging current through the switch resistance R_{SW} (200 Ω) of S1 and quickly settles. In this case the input impedance is low. Alternatively, when the source voltage equals the value previously stored on C_1 , the hold capacitor requires no input current and the equivalent input impedance is high.

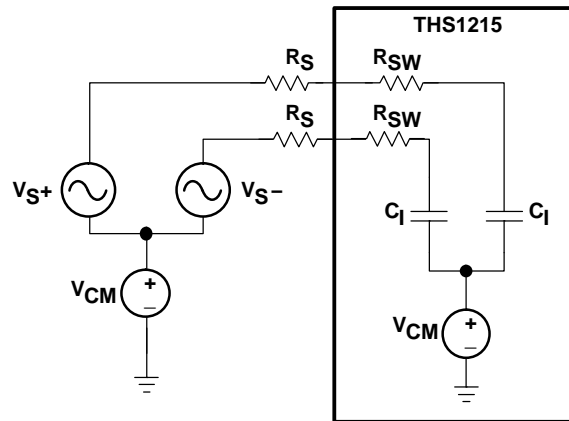


Figure 16. Simplified Equivalent Input Circuit

To maintain the frequency performance outlined in the specifications, the total source impedance should be limited to the following equation with $f_{CLK} = 15 \text{ MHz}$, $C_1 = 5 \text{ pF}$, $R_{SW} = 200 \Omega$:

$$R_S < \frac{1}{2f_{CLK} \times C_1 \times \ln(256)} R_{SW}$$

So, for applications running at a lower f_{CLK} , the total source resistance can increase proportionally.

The analog input of the THS1215 is a differential input that can be configured in various ways depending on the signal source and the required level of performance. A fully differential connection (see Figure 17) delivers the best performance from the converter.

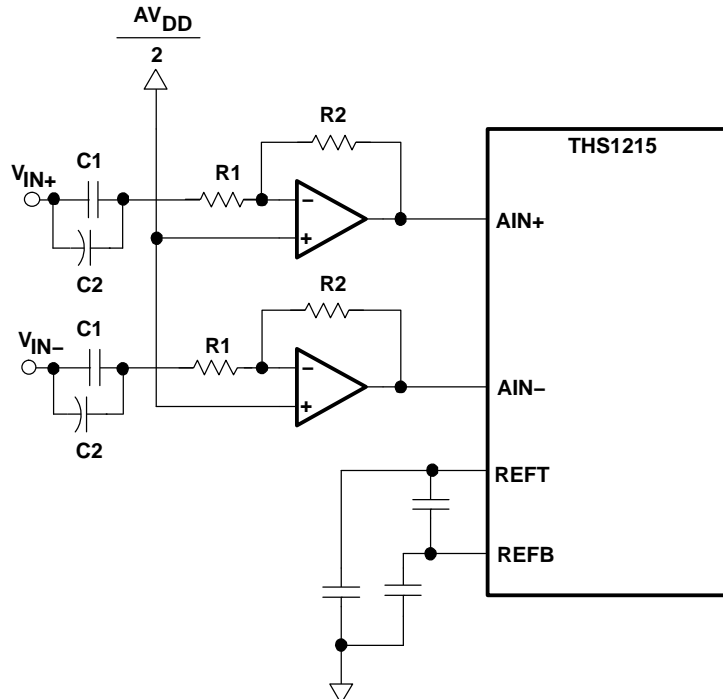


Figure 17. AC-Coupled Differential Input

The analog input can be dc-coupled (see Figure 18) as long as the inputs are within the analog input common mode voltage range. For example (see Figure 18), V_{IN+} and V_{IN-} are signals centered on GND with a peak-to-peak voltage of 2 V, and the circuit in Figure 18 is used to interface it with the THS1215. Assume AV_{DD}

of the converter is 3 V. Two problems have to be solved. The first is to shift common mode level (CML) from 0 V to 1.5 V ($AV_{DD}/2$). To do that, a V_{BIAS} voltage and an adequate ratio of R1 and R2 have to be selected. For instance, if $V_{BIAS} = AV_{DD} = 3$ V, then $R1 = R2$. The second is that the differential voltage has to be reduced from 4 V (2×2 V) to 1 V, and for that an attenuation of 4 to 1 is needed. The attenuation is determined by the relation: $(R3||2R2)/((R3||2R2) + 2R1)$. One possible solution is $R1 = R2 = R3 = 150 \Omega$. In this case, moreover, the input impedance ($2R1 + (R3||2R2)$) is 400 Ω . The values can be changed to match any other input impedance. A capacitor, C, connected from AIN+ to AIN- helps filter any high frequency noise on the inputs, also improving performance. Note that the chosen value of capacitor C must take into account the highest frequency component of the analog input signal.

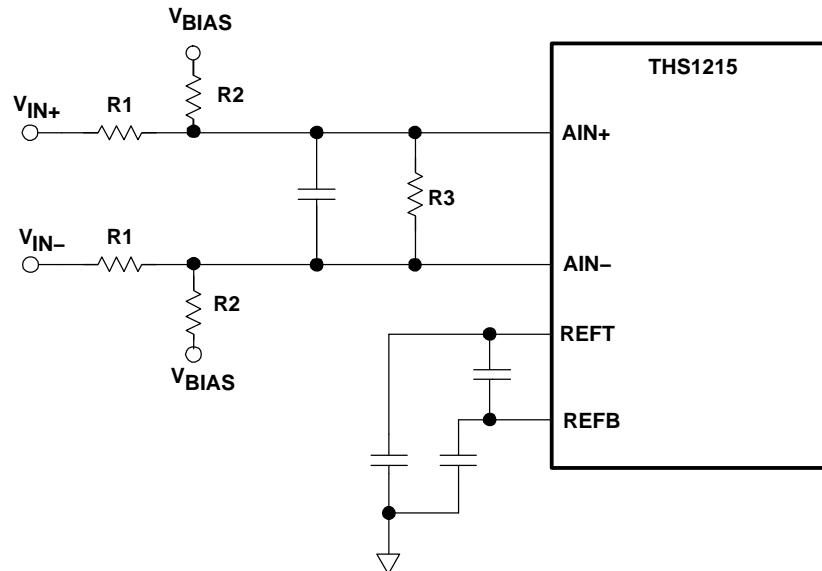


Figure 18. DC-Coupled Differential Input Circuit

A single-ended source may give better overall system performance when it is converted to a differential signal before driving the THS1215. The configuration in Figure 19 takes a V_{IN} of 1 V and drives the 1:1 transformer ratio so that value of AIN+ and AIN- converts to full-scale value at the ADC digital output. With V_{IN} at -1 V the value at AIN+ and AIN- converts to 0 at the ADC digital outputs.

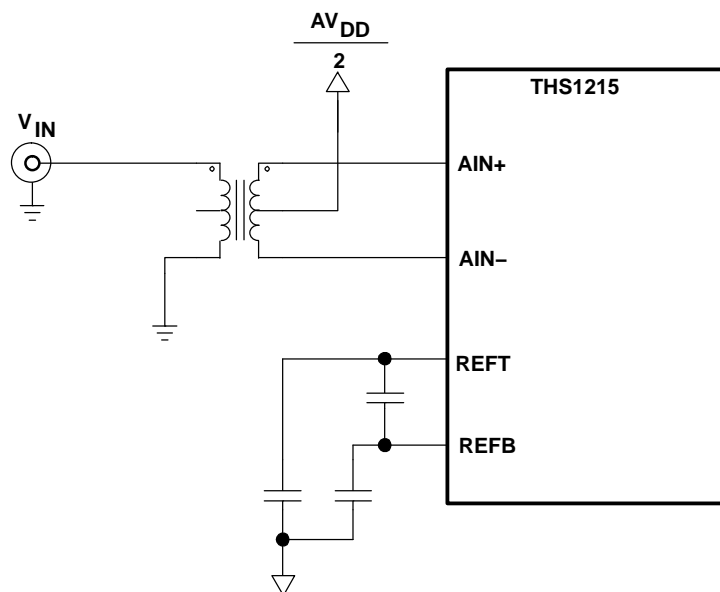


Figure 19. Transformer Coupled Single-Ended Input

Digital Outputs

The output of THS1215 is in unsigned binary code. The ADC input over-range indicator is output on pin OVRNG. Capacitive loading on the output should be kept as low as possible (a maximum loading of 10 pF is recommended) to ensure best performance. Higher output loading causes higher dynamic output currents and can therefore increase noise coupling into the part's analog front-end. To drive higher loads, the use of an output buffer is recommended.

When clocking output data from THS1215, it is important to observe its timing relation to CLK. The pipeline ADC delay is 5 clock cycles to which the maximum output propagation delay needs to be added.

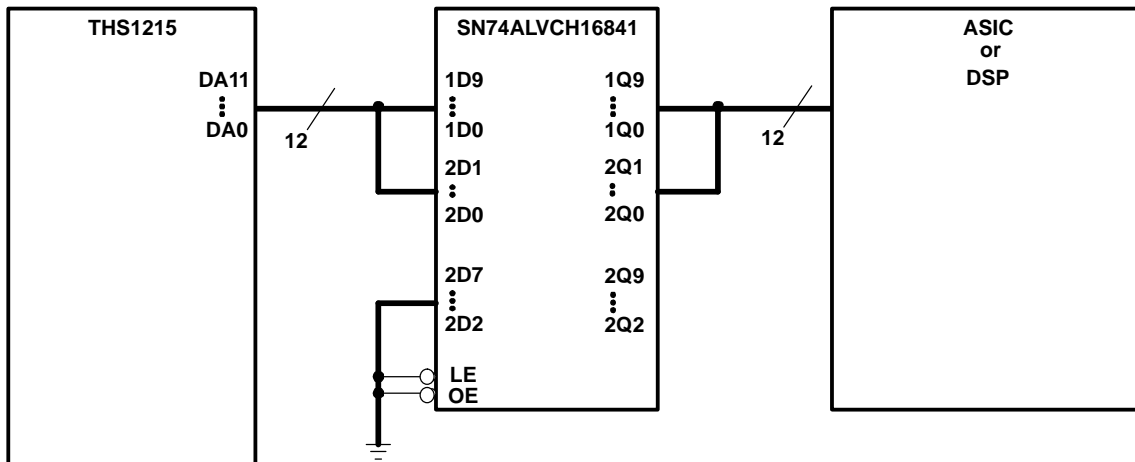


Figure 20. Buffered Output Connection

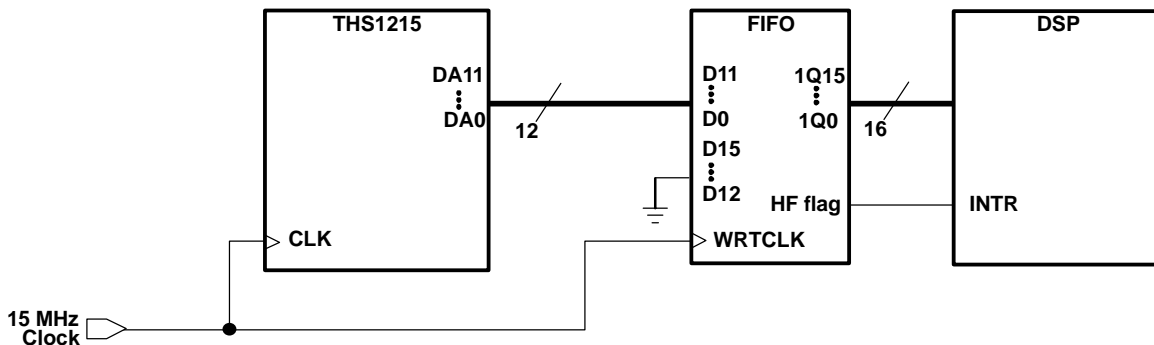


Figure 21. FIFO Connection

Layout, Decoupling, and Grounding Rules

Proper grounding and layout of the PCB on which THS1215 is populated is essential to achieve the stated performance. It is advised to use separate analog and digital ground planes that are spliced underneath the IC. THS1215 has digital and analog pins on opposite sides of the package to make this easier. Because there is no connection internally between analog and digital grounds, they have to be joined on the PCB. It is advised to do this at one point in close proximity to THS1215.

Because of the high sampling rate and switched-capacitor architecture, THS1215 generates transients on the supply and reference lines. Proper decoupling of these lines is therefore essential. EVM decoupling is recommended as shown in Figure 22.

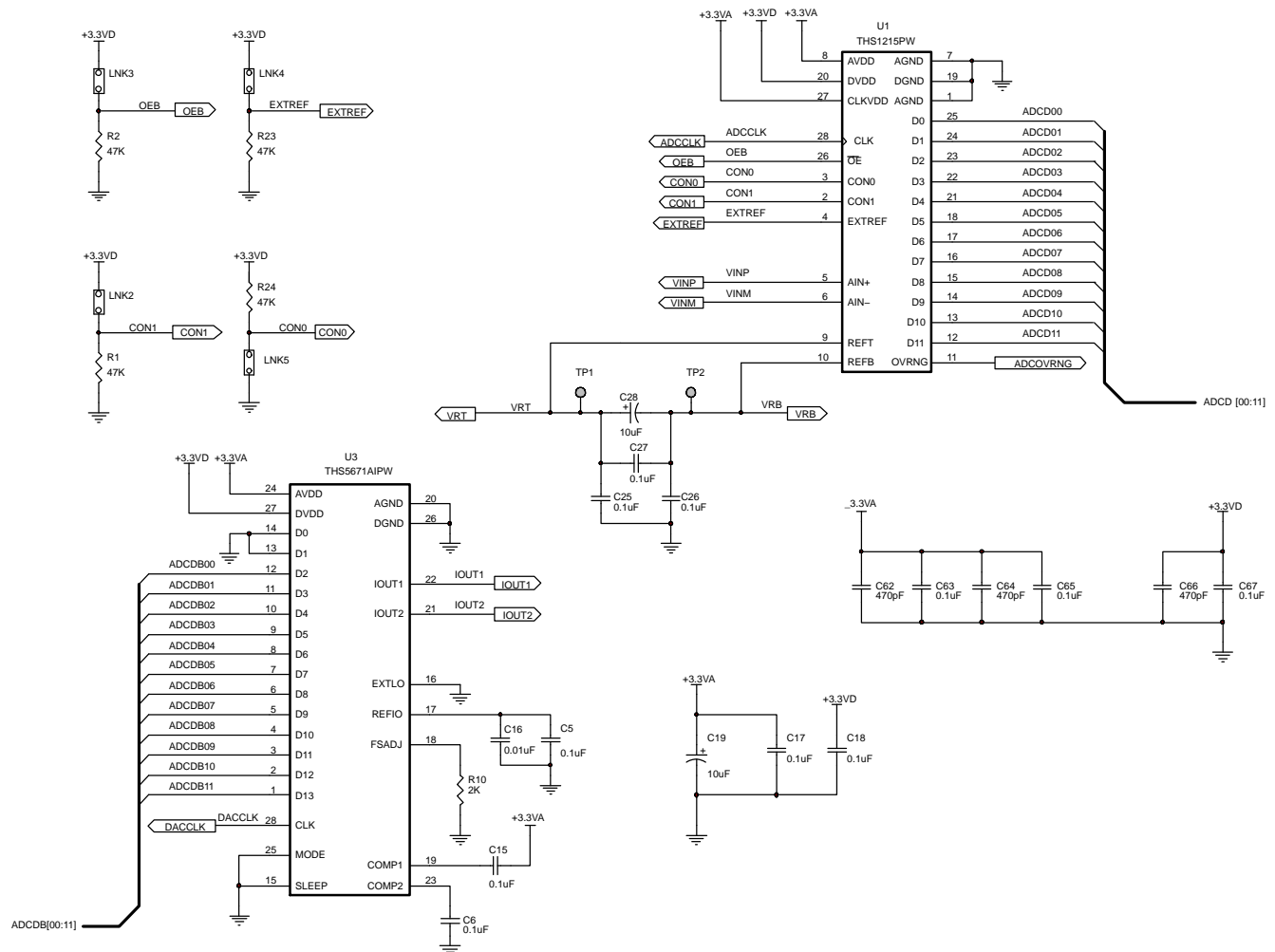


Figure 22. EVM Schematic

DEFINITIONS OF SPECIFICATIONS AND TERMINOLOGY

Integral Nonlinearity (INL)

Integral nonlinearity refers to the deviation of each individual code from a line drawn from zero through full scale. The point used as zero occurs 1/2 LSB before the first code transition. The full-scale point is defined as level 1/2 LSB beyond the last code transition. The deviation is measured from the center of each particular code to the true straight line between these two end-points.

Differential Nonlinearity (DNL)

An ideal ADC exhibits code transitions that are exactly 1 LSB apart. DNL is the deviation from this ideal value. Therefore, this measure indicates how uniform the transfer function step sizes are. The ideal step size is defined here as the step size for the device under test, i.e., $(\text{last transition level} - \text{first transition level}) / (2^n - 2)$. Using this definition for DNL separates the effects of gain and offset error. A minimum DNL better than -1 LSB ensures no missing codes.

Offset and Gain Error

Offset error (in LSBs) is defined as the average offset for all inputs, and gain error is defined as the maximum error (in LSBs) caused by the angular deviation from the offset corrected straight line.

Analog Input Bandwidth

The analog input bandwidth is defined as the maximum frequency of a 1-dBFS input sine wave that can be applied to the device for which an extra 3-dB attenuation is observed in the reconstructed output signal.

Output Timing

Output timing $t_{d(O)}$ is measured from the 50% level of the CLK input falling edge to the 10%/90% level of the digital output. The digital output load is not higher than 10 pF.

Output hold time $t_{h(O)}$ is measured from the 50% level of the CLK input falling edge to the 10%/90% level of the digital output. The digital output load is not less than 2 pF.

Aperture delay $t_{d(A)}$ is measured from the 50% level of the CLK input to the actual sampling instant.

The OE signal is asynchronous.

OE timing $t_{d(PZ)}$ is measured from the $V_{IH(min)}$ level of OE to the high-impedance state of the output data. The digital output load is not higher than 10 pF.

OE timing $t_{d(EN)}$ is measured from the $V_{IL(max)}$ level of OE to the instant when the output data reaches $V_{OH(min)}$ or $V_{OL(max)}$ output levels. The digital output load is not higher than 10 pF.

Signal-to-Noise Ratio + Distortion (SINAD)

SINAD is the ratio of the rms value of the measured input signal to the rms sum of all other spectral components below the Nyquist frequency, including harmonics but excluding dc. The value for SINAD is expressed in decibels.

Effective Number of Bits (ENOB)

For a sine wave, SINAD can be expressed in terms of the number of bits. Using the following formula,

- $N = (\text{SINAD} - 1.76)/6.02$

it is possible to get a measure of performance expressed as N, the effective number of bits. Thus, effective number of bits for a device for sine wave inputs at a given input frequency can be calculated directly from its measured SINAD.

Total Harmonic Distortion (THD)

THD is the ratio of the rms sum of the first six harmonic components to the rms value of the measured input signal and is expressed as a percentage or in decibels.

Spurious Free Dynamic Range (SFDR)

SFDR is the difference in dB between the rms amplitude of the input signal and the peak spurious signal.

PACKAGING INFORMATION

Orderable Device	Status (1)	Package Type	Package Drawing	Pins	Package Qty	Eco Plan (2)	Lead/Ball Finish (6)	MSL Peak Temp (3)	Op Temp (°C)	Device Marking (4/5)	Samples
THS1215CPW	OBSOLETE	TSSOP	PW	28		TBD	Call TI	Call TI	0 to 70	TH1215	
THS1215IDW	OBSOLETE	SOIC	DW	28		TBD	Call TI	Call TI	-40 to 85	TJ1215	
THS1215IPW	OBSOLETE	TSSOP	PW	28		TBD	Call TI	Call TI	-40 to 85	TJ1215	
THS1215IPWG4	OBSOLETE	TSSOP	PW	28		TBD	Call TI	Call TI	-40 to 85	TJ1215	

(1) The marketing status values are defined as follows:

ACTIVE: Product device recommended for new designs.

LIFEBUY: TI has announced that the device will be discontinued, and a lifetime-buy period is in effect.

NRND: Not recommended for new designs. Device is in production to support existing customers, but TI does not recommend using this part in a new design.

PREVIEW: Device has been announced but is not in production. Samples may or may not be available.

OBSOLETE: TI has discontinued the production of the device.

(2) Eco Plan - The planned eco-friendly classification: Pb-Free (RoHS), Pb-Free (RoHS Exempt), or Green (RoHS & no Sb/Br) - please check <http://www.ti.com/productcontent> for the latest availability information and additional product content details.

TBD: The Pb-Free/Green conversion plan has not been defined.

Pb-Free (RoHS): TI's terms "Lead-Free" or "Pb-Free" mean semiconductor products that are compatible with the current RoHS requirements for all 6 substances, including the requirement that lead not exceed 0.1% by weight in homogeneous materials. Where designed to be soldered at high temperatures, TI Pb-Free products are suitable for use in specified lead-free processes.

Pb-Free (RoHS Exempt): This component has a RoHS exemption for either 1) lead-based flip-chip solder bumps used between the die and package, or 2) lead-based die adhesive used between the die and leadframe. The component is otherwise considered Pb-Free (RoHS compatible) as defined above.

Green (RoHS & no Sb/Br): TI defines "Green" to mean Pb-Free (RoHS compatible), and free of Bromine (Br) and Antimony (Sb) based flame retardants (Br or Sb do not exceed 0.1% by weight in homogeneous material)

(3) MSL, Peak Temp. - The Moisture Sensitivity Level rating according to the JEDEC industry standard classifications, and peak solder temperature.

(4) There may be additional marking, which relates to the logo, the lot trace code information, or the environmental category on the device.

(5) Multiple Device Markings will be inside parentheses. Only one Device Marking contained in parentheses and separated by a "-" will appear on a device. If a line is indented then it is a continuation of the previous line and the two combined represent the entire Device Marking for that device.

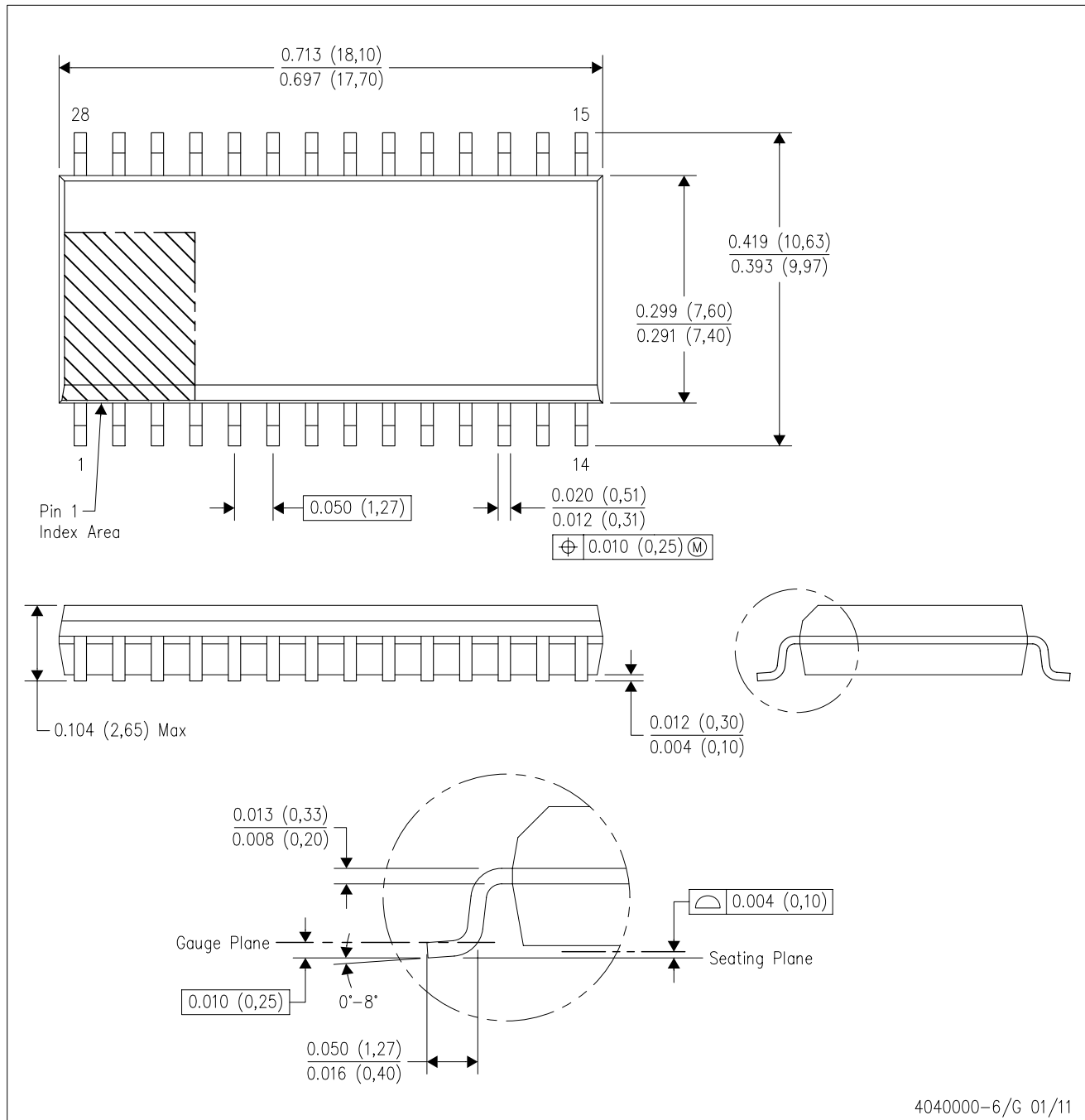
(6) Lead/Ball Finish - Orderable Devices may have multiple material finish options. Finish options are separated by a vertical ruled line. Lead/Ball Finish values may wrap to two lines if the finish value exceeds the maximum column width.

Important Information and Disclaimer: The information provided on this page represents TI's knowledge and belief as of the date that it is provided. TI bases its knowledge and belief on information provided by third parties, and makes no representation or warranty as to the accuracy of such information. Efforts are underway to better integrate information from third parties. TI has taken and continues to take reasonable steps to provide representative and accurate information but may not have conducted destructive testing or chemical analysis on incoming materials and chemicals. TI and TI suppliers consider certain information to be proprietary, and thus CAS numbers and other limited information may not be available for release.

In no event shall TI's liability arising out of such information exceed the total purchase price of the TI part(s) at issue in this document sold by TI to Customer on an annual basis.

DW (R-PDSO-G28)

PLASTIC SMALL OUTLINE

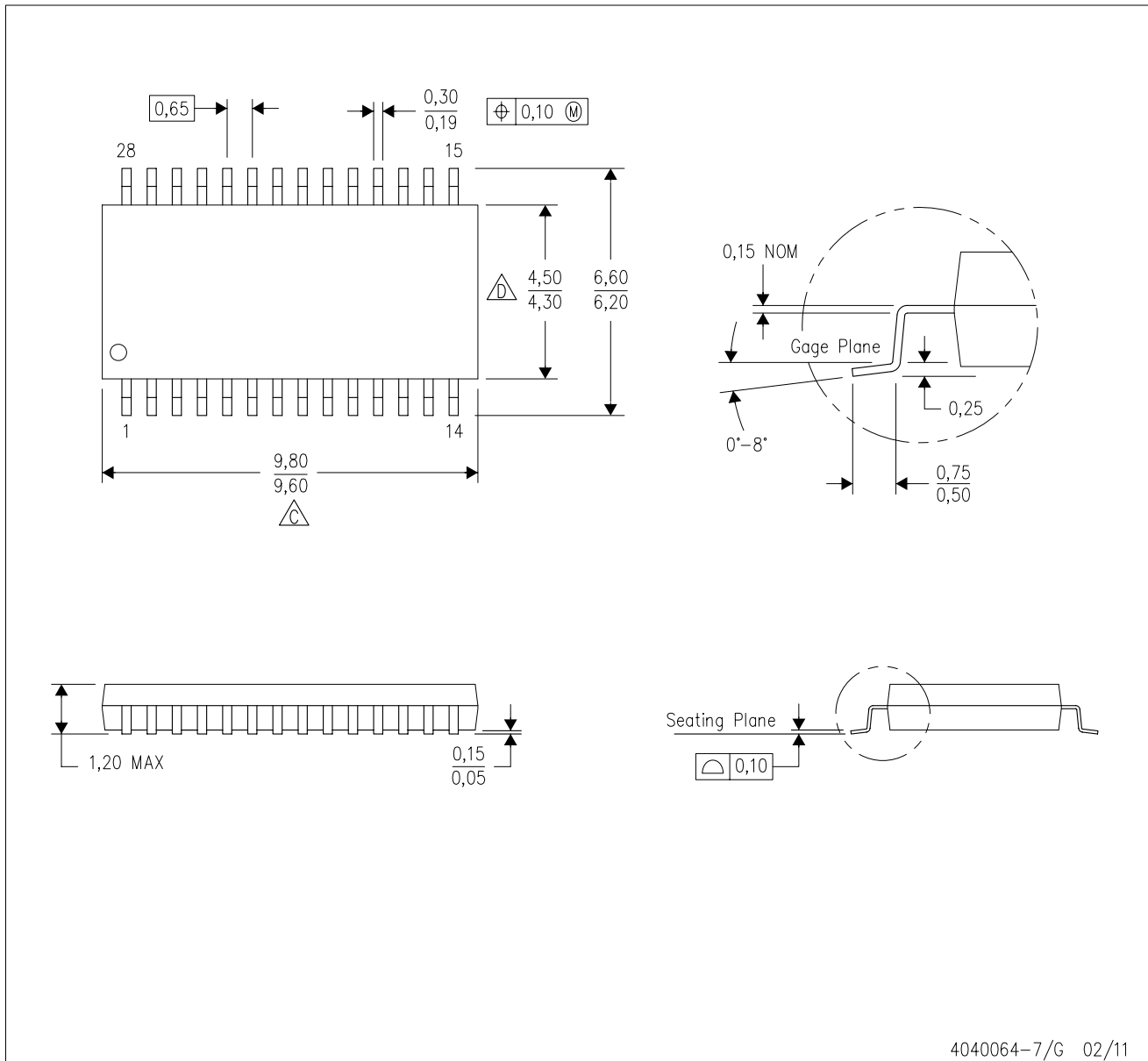


4040000-6/G 01/11

- NOTES:
- All linear dimensions are in inches (millimeters). Dimensioning and tolerancing per ASME Y14.5M-1994.
 - This drawing is subject to change without notice.
 - Body dimensions do not include mold flash or protrusion not to exceed 0.006 (0,15).
 - Falls within JEDEC MS-013 variation AE.

PW (R-PDSO-G28)

PLASTIC SMALL OUTLINE



4040064-7/G 02/11

- NOTES:
- A. All linear dimensions are in millimeters. Dimensioning and tolerancing per ASME Y14.5M-1994.
 - B. This drawing is subject to change without notice.
 - C. Body length does not include mold flash, protrusions, or gate burrs. Mold flash, protrusions, or gate burrs shall not exceed 0,15 each side.
 - D. Body width does not include interlead flash. Interlead flash shall not exceed 0,25 each side.
 - E. Falls within JEDEC MO-153

IMPORTANT NOTICE

Texas Instruments Incorporated and its subsidiaries (TI) reserve the right to make corrections, enhancements, improvements and other changes to its semiconductor products and services per JESD46, latest issue, and to discontinue any product or service per JESD48, latest issue. Buyers should obtain the latest relevant information before placing orders and should verify that such information is current and complete. All semiconductor products (also referred to herein as "components") are sold subject to TI's terms and conditions of sale supplied at the time of order acknowledgment.

TI warrants performance of its components to the specifications applicable at the time of sale, in accordance with the warranty in TI's terms and conditions of sale of semiconductor products. Testing and other quality control techniques are used to the extent TI deems necessary to support this warranty. Except where mandated by applicable law, testing of all parameters of each component is not necessarily performed.

TI assumes no liability for applications assistance or the design of Buyers' products. Buyers are responsible for their products and applications using TI components. To minimize the risks associated with Buyers' products and applications, Buyers should provide adequate design and operating safeguards.

TI does not warrant or represent that any license, either express or implied, is granted under any patent right, copyright, mask work right, or other intellectual property right relating to any combination, machine, or process in which TI components or services are used. Information published by TI regarding third-party products or services does not constitute a license to use such products or services or a warranty or endorsement thereof. Use of such information may require a license from a third party under the patents or other intellectual property of the third party, or a license from TI under the patents or other intellectual property of TI.

Reproduction of significant portions of TI information in TI data books or data sheets is permissible only if reproduction is without alteration and is accompanied by all associated warranties, conditions, limitations, and notices. TI is not responsible or liable for such altered documentation. Information of third parties may be subject to additional restrictions.

Resale of TI components or services with statements different from or beyond the parameters stated by TI for that component or service voids all express and any implied warranties for the associated TI component or service and is an unfair and deceptive business practice. TI is not responsible or liable for any such statements.

Buyer acknowledges and agrees that it is solely responsible for compliance with all legal, regulatory and safety-related requirements concerning its products, and any use of TI components in its applications, notwithstanding any applications-related information or support that may be provided by TI. Buyer represents and agrees that it has all the necessary expertise to create and implement safeguards which anticipate dangerous consequences of failures, monitor failures and their consequences, lessen the likelihood of failures that might cause harm and take appropriate remedial actions. Buyer will fully indemnify TI and its representatives against any damages arising out of the use of any TI components in safety-critical applications.

In some cases, TI components may be promoted specifically to facilitate safety-related applications. With such components, TI's goal is to help enable customers to design and create their own end-product solutions that meet applicable functional safety standards and requirements. Nonetheless, such components are subject to these terms.

No TI components are authorized for use in FDA Class III (or similar life-critical medical equipment) unless authorized officers of the parties have executed a special agreement specifically governing such use.

Only those TI components which TI has specifically designated as military grade or "enhanced plastic" are designed and intended for use in military/aerospace applications or environments. Buyer acknowledges and agrees that any military or aerospace use of TI components which have **not** been so designated is solely at the Buyer's risk, and that Buyer is solely responsible for compliance with all legal and regulatory requirements in connection with such use.

TI has specifically designated certain components as meeting ISO/TS16949 requirements, mainly for automotive use. In any case of use of non-designated products, TI will not be responsible for any failure to meet ISO/TS16949.

Products

Audio	www.ti.com/audio
Amplifiers	amplifier.ti.com
Data Converters	dataconverter.ti.com
DLP® Products	www.dlp.com
DSP	dsp.ti.com
Clocks and Timers	www.ti.com/clocks
Interface	interface.ti.com
Logic	logic.ti.com
Power Mgmt	power.ti.com
Microcontrollers	microcontroller.ti.com
RFID	www.ti-rfid.com
OMAP Applications Processors	www.ti.com/omap
Wireless Connectivity	www.ti.com/wirelessconnectivity

Applications

Automotive and Transportation	www.ti.com/automotive
Communications and Telecom	www.ti.com/communications
Computers and Peripherals	www.ti.com/computers
Consumer Electronics	www.ti.com/consumer-apps
Energy and Lighting	www.ti.com/energy
Industrial	www.ti.com/industrial
Medical	www.ti.com/medical
Security	www.ti.com/security
Space, Avionics and Defense	www.ti.com/space-avionics-defense
Video and Imaging	www.ti.com/video

TI E2E Community

e2e.ti.com