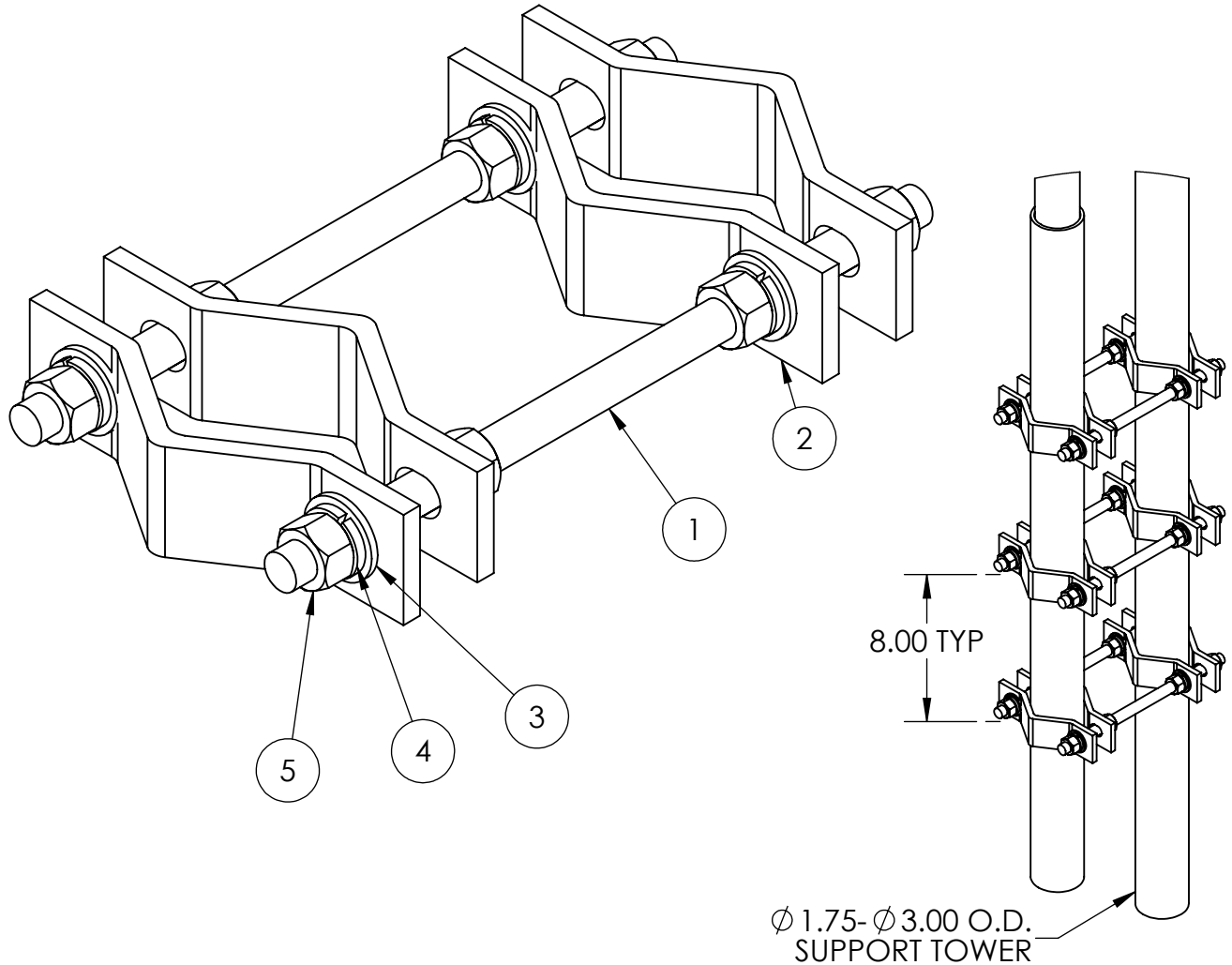


# ALIVE Telecom

REVISIONS			
REV.	DESCRIPTION	DATE	APPROVED
A	UPDATED TO NEW ALIVE FORMAT	4/20/2018	



ITEM NO.	PART NUMBER	DESCRIPTION	QTY.	Length (IN)
1	45-0037	.50-13 GALV. THREADED ROD	6	10.00
2	PLMT-CLAMP	CLAMP	12	
3	10-0037	.50 GALV. FLAT WASHER	24	
4	15-0031	.50 GALV. LOCK WASHER	24	
5	20-0117	.50-13 GALV. HEX HEAD NUT	24	

TITLE:  
PLMTKIT-1 - ASSEMBLY

DRAWN BY: SM | DWG#: PLMTKIT-1 | SHEET 1 OF 1