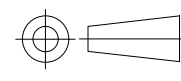


THIS DRAWING IS UNPUBLISHED. RELEASED FOR PUBLICATION  
 © COPYRIGHT - TE Connectivity Ltd. ALL RIGHTS RESERVED.

REVISIONS				
P	LTR	DESCRIPTION	DATE	APVD
B		REVISED PER ECO-19-008199	28JAN2020	VM SH

	49	68.85	84.15	78.25	67.23	62.23	0.1μ	100	1-5179717-9
OBSOLETE	<del>39</del>	<del>56.15</del>	<del>71.45</del>	<del>65.55</del>	<del>54.53</del>	<del>49.53</del>	<del>0.1μ</del>	<del>80</del>	<del>1-5179717-0</del>
	N	E	D	C	B	A	Au PL.	POS.	PART NO.

THIS DRAWING IS A CONTROLLED DOCUMENT.		DWN VM	28JAN2020	<b>TE</b> TE Connectivity	
DIMENSIONS: INCHES		CHK W JOSH	28JAN2020		
		APVD S HEAN		NAME	
		TOLERANCES UNLESS OTHERWISE SPECIFIED: 0 PLC ± 0.3 1 PLC ± 0.3 2 PLC ± 0.3 3 PLC ± 0.3 4 PLC ± 0.3 ANGLES ± 3°		PRODUCT SPEC	
MATERIAL		FINISH		APPLICATION SPEC	
-		-		-	
		WEIGHT		SIZE	
		-		A2	
		CUSTOMER DRAWING		CAGE CODE	
				00779	
				DRAWING NO	
				C-5179717	
				RESTRICTED TO	
				-	
				SCALE	
				1:1	
				SHEET	
				1 OF 1	
				REV	
				B	