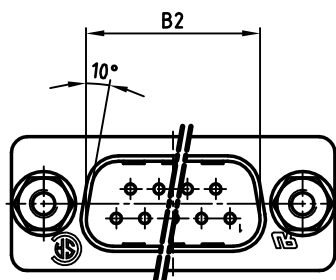
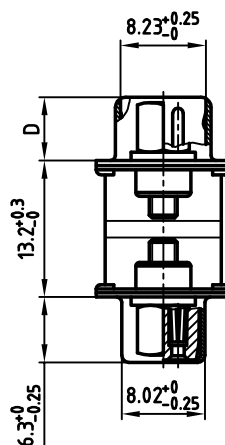
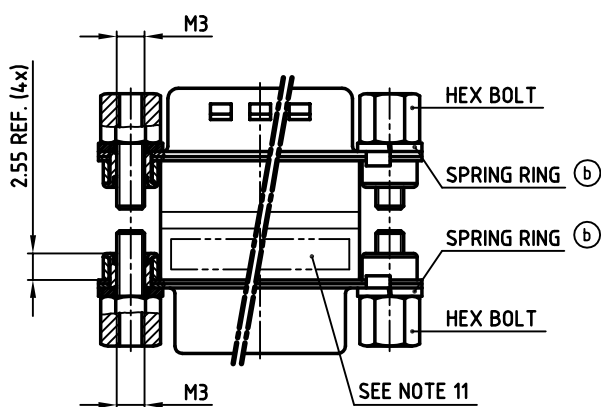
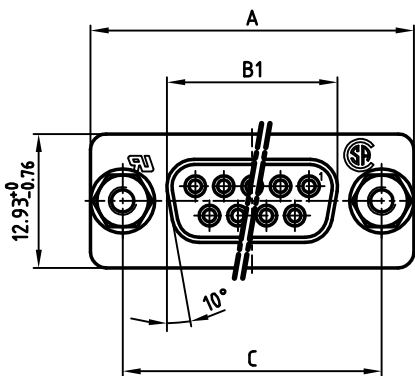


used for: FULL METAL π -FILTER

POS.	PART NO. SOCKET CONNECTOR / PLUG CONNECTOR M3			
	2 x 180pF±20%	2 x 370pF±20%	2 x 830pF±20%	2 x 1300pF±20%
9	MAP1XAAAH01R361X	MAP1XAAAH01R741X	MAP1XAAAH01R162X	MAP1XAAAH01R262X
15	MAP2XAAAH01R361X	MAP2XAAAH01R741X	MAP2XAAAH01R162X	MAP2XAAAH01R262X
25	MAP3XAAAH01R361X	MAP3XAAAH01R741X	MAP3XAAAH01R162X	MAP3XAAAH01R262X
37	MAP4XAAAH01R361X	MAP4XAAAH01R741X	MAP4XAAAH01R162X	MAP4XAAAH01R262X

POS.	A ^{-0.76}	B1 ^{-0.25}	B2 ^{+0.25}	C	D ^{-0.3}
9	31.19	16.46	16.79	25.00 ^{+0.12} _{-0.13}	6.12
15	39.52	24.79	25.12	33.30 ^{+0.15} _{-0.1}	6.12
25	53.42	38.50	38.84	47.04 ^{+0.13}	5.99
37	69.70	54.96	55.30	63.50 ^{+0.13}	5.99



NOTES:

- METALSHELLS: STEEL; min. 315µin TIN OVER 40-80µin NICKEL
- INSULATORS: PBT GF UL 94 V-0, BLACK
- CONTACTS: COPPER ALLOY
PLATING: 8µin HARD GOLD OVER min. 50µin NICKEL
- THREADED INSERT: COPPER ALLOY; min. 200µin TIN OVER 80µin NICKEL
- COLLAR: COPPER ALLOY; min. 200µin TIN OVER 80µin NICKEL
- HEX BOLT: STEEL; NICKEL PLATED
- SPRING RING: STEEL; NICKEL PLATED
- CAPACITANCE: SEE TABLE
- DIELECTRIC WITHSTANDING VOLTAGE: 300 VDC
- MAXIMUM TORQUE VALUE FOR THREAD: 6 in.LB
- CONNECTOR IS PART MARKED: PART-NO. CONEC ABC



APPROVAL * FREIGABE * DEBLOCAGE * AUTORIZACION * APPROVAL	
CUSTOMER APPROVAL DATE:	
NAME:	TITLE:
COMPANY NAME:	
APPROVAL * FREIGABE * DEBLOCAGE * AUTORIZACION * APPROVAL	

THIS DRAWING MAY NOT BE COPIED OR REPRODUCED IN ANY WAY, AND MAY NOT BE PASSED ON TO A THIRD PARTY, WITHOUT WRITTEN PERMISSION.
OWNERSHIP AND COPYRIGHT OF CONEC GmbH
DO NOT ALTER CAD DRAWING BY HAND

rev.	description	date	name
2xc	Ä 2635	22.12.2006	ES
2 x b	Ä 1744	06.03.2003	Parei

tolerance

2003	date	name
drawn	24.01.	Parei
appd.	24.01.	Kühle
norm		
d-old		

scale: 2:1
material: SEE NOTES

title:
FULL METAL π -FILTER ADAPTER
PLUG / SOCKET 9-37pos.
with hex bolts - M3 and spring rings

dwg no: AutoCAD 2000 DIN-A
24K1A358 3 sh: 1/1

part no: SEE TABLE