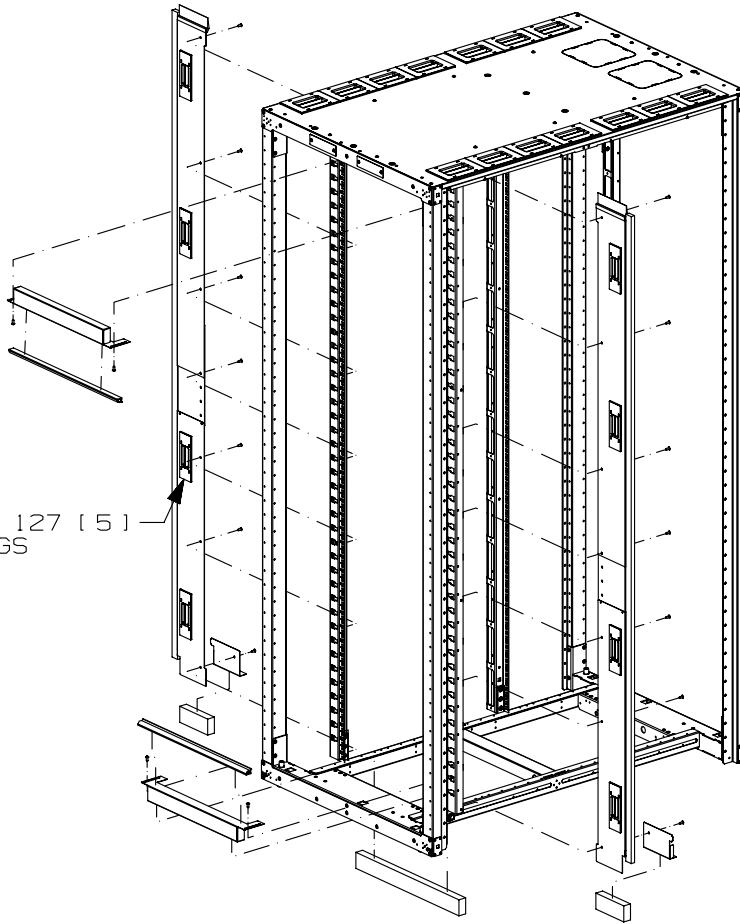


THIS COPY IS PROVIDED ON A RESTRICTED BASIS AND IS NOT TO BE USED IN ANY WAY DETRIMENTAL TO THE INTERESTS OF PANDUIT CORP.



(4) 38.1 [1.5] X 127 [5]
PASS THRU OPENINGS
PER SIDE

APPLICATION VIEW -
CABINET NOT INCLUDED

PANDUIT PART NO.	WEIGHT
S8VBPN	19.0 LBS/EACH 8.6 Kg/EACH

- VISIT OUR ON-LINE CATALOG AT WWW.PANDUIT.COM FOR A LIST OF CURRENT PARTS APPLICABLE FOR USE WITH THIS PRODUCT.
- DIMENSIONS IN PARENTHESES ARE METRIC [mm].
- VERTICAL BLANKING PANELS BLOCK BYPASS AIR AND DIRECT COLD AIRFLOW THROUGH EQUIPMENT.
- PARTS SUPPLIED:
 - 1- 42-48RU RIGHT VERTICAL BLANKING PANEL
 - 1- 42-48RU LEFT VERTICAL BLANKING PANEL
 - 2- HORIZONTAL BLANKING PANEL
 - 1- HARDWARE AND SEAL KIT
 - 1- INSTRUCTION SHEET
- FULLY BONDED STRUCTURE WHEN ASSEMBLED PER INSTRUCTIONS.
- COMPATIBLE WITH CTGN1X5 COOL BOOT.

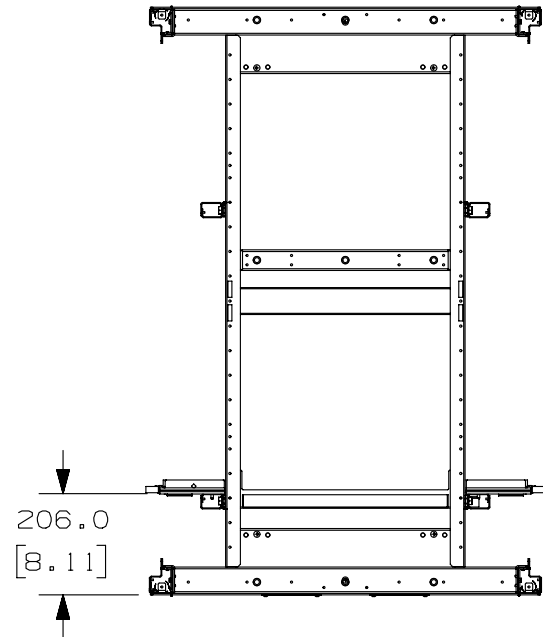
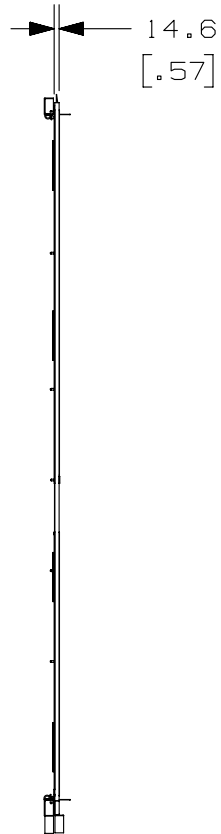
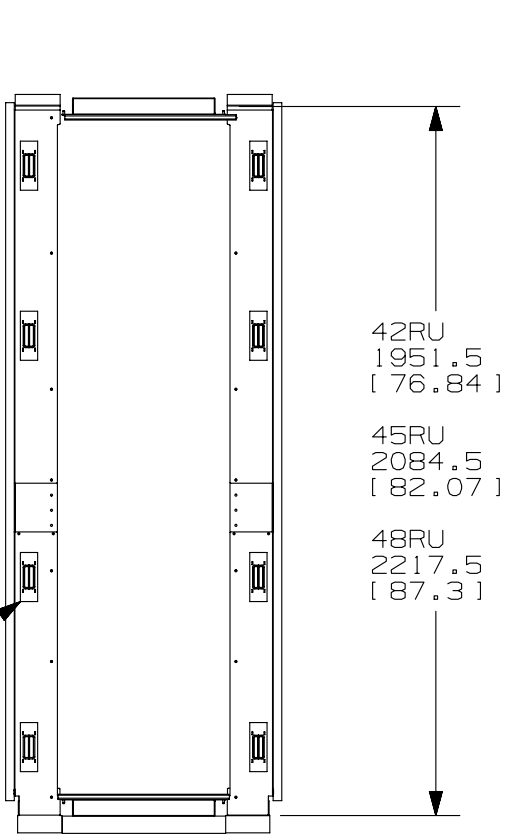
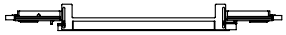
01A	11-22-13	PBS	ROJC	JDWE	RELEASED TO PRODUCTION				13V379TV-DC
REV	DATE	BY	CHK	APR	DESCRIPTION				ECN

TITLE		S8VBPN	
ITEM REVISION NAME		CUSTOMER DRAWING	
DATASET FILE NAME		13V379TV_DC/01A.PRT	
UNLESS OTHERWISE SPECIFIED, DIMENSIONAL TOLERANCES ARE:		MATERIAL/COLOR:	
INCHES	METRIC - MILLIMETER	N/A	
X.X +/- 0.03	X.X +/- 0.8		
X.XX +/- 0.018	X.X +/- 0.46		
X.XXX +/- 0.007	X.XX +/- 0.18		
THIRD ANGLE PROJECTION		DRAWING NUMBER:	
DRAWN BY		13V379TV-DC	
PBS	11-22-13		
ROJC	NONE	SHT 1 OF 2	
		A	

2

1

THIS COPY IS PROVIDED ON A RESTRICTED BASIS AND IS NOT TO BE USED IN ANY WAY DETRIMENTAL TO THE INTERESTS OF PANDUIT CORP.



REMOVABLE
 38.1 [1.5] X 127 [5]
 COVER COMPATIBLE
 WITH COOL-BOOT
 CTGN1X5

B

B

A

A

REV	DATE	BY	CHK	APR	DESCRIPTION	ECN
01A	11-22-13	PBS	ROJC	JDWE	SEE SHEET 1 OF 2 FOR REVISIONS	13V379TV-DC

TITLE	
S8VBPN	
CUSTOMER DRAWING	
ITEM REVISION NAME	13V379TV/01.PRT
DATASET FILE NAME	13V379TV_DC/01A.PRT
UNLESS OTHERWISE SPECIFIED, DIMENSIONAL TOLERANCES ARE:	
INCHES	METRIC - MILLIMETER
X.X +/- 0.03	X +/- 0.8
X.XX +/- 0.018	X.X +/- 0.46
X.XXX +/- 0.007	X.XX +/- 0.18
ANGLE +/- 1°	
MATERIAL/COLOR:	
N/A	
DRAWING NUMBER:	
13V379TV-DC	
DRAWN BY	DATE
PBS	11-22-13
CHK	SCALE
ROJC	NONE
THIRD ANGLE PROJECTION	
SHT 2 OF 2	
SIZE	A

2

1