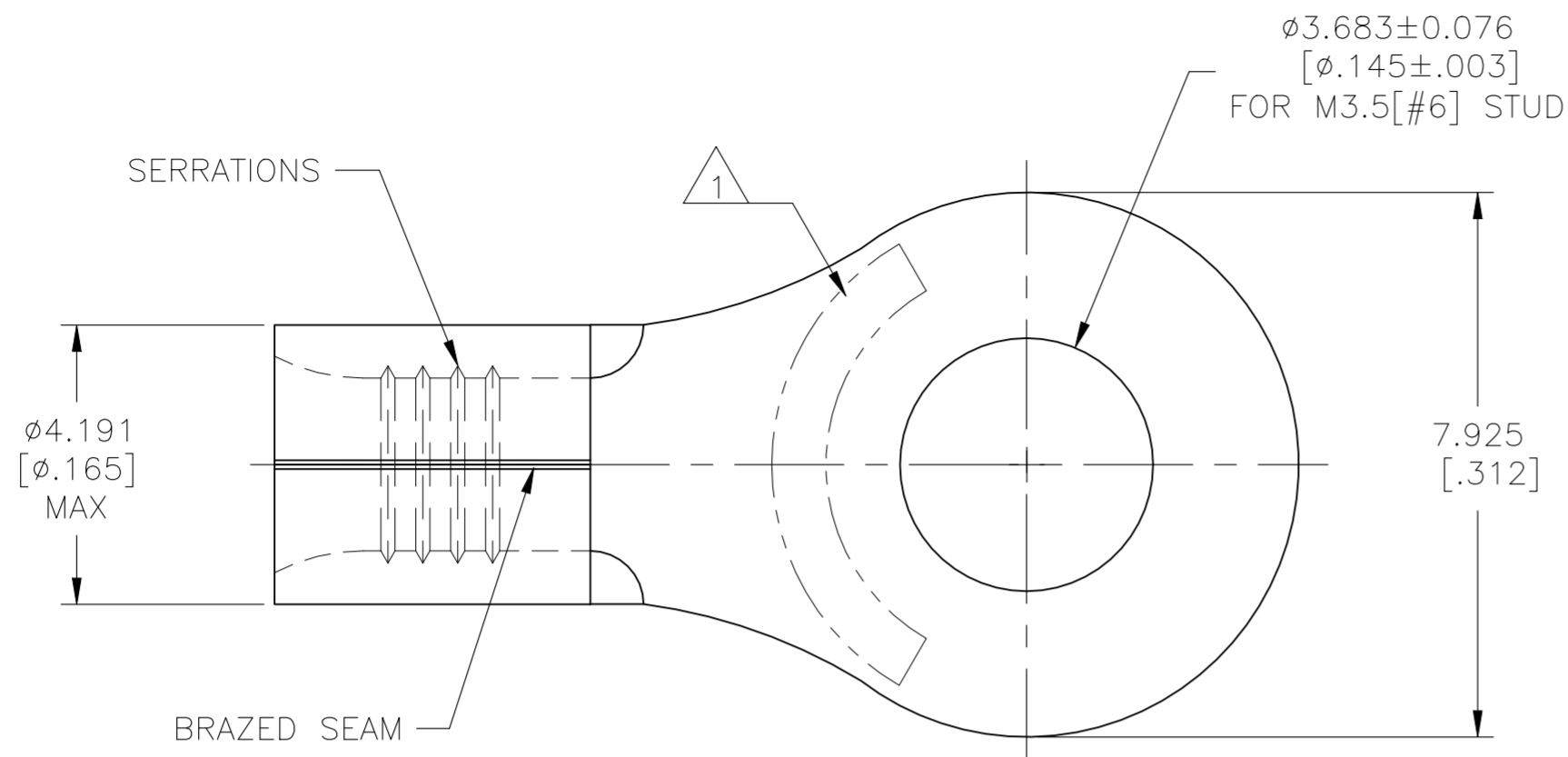


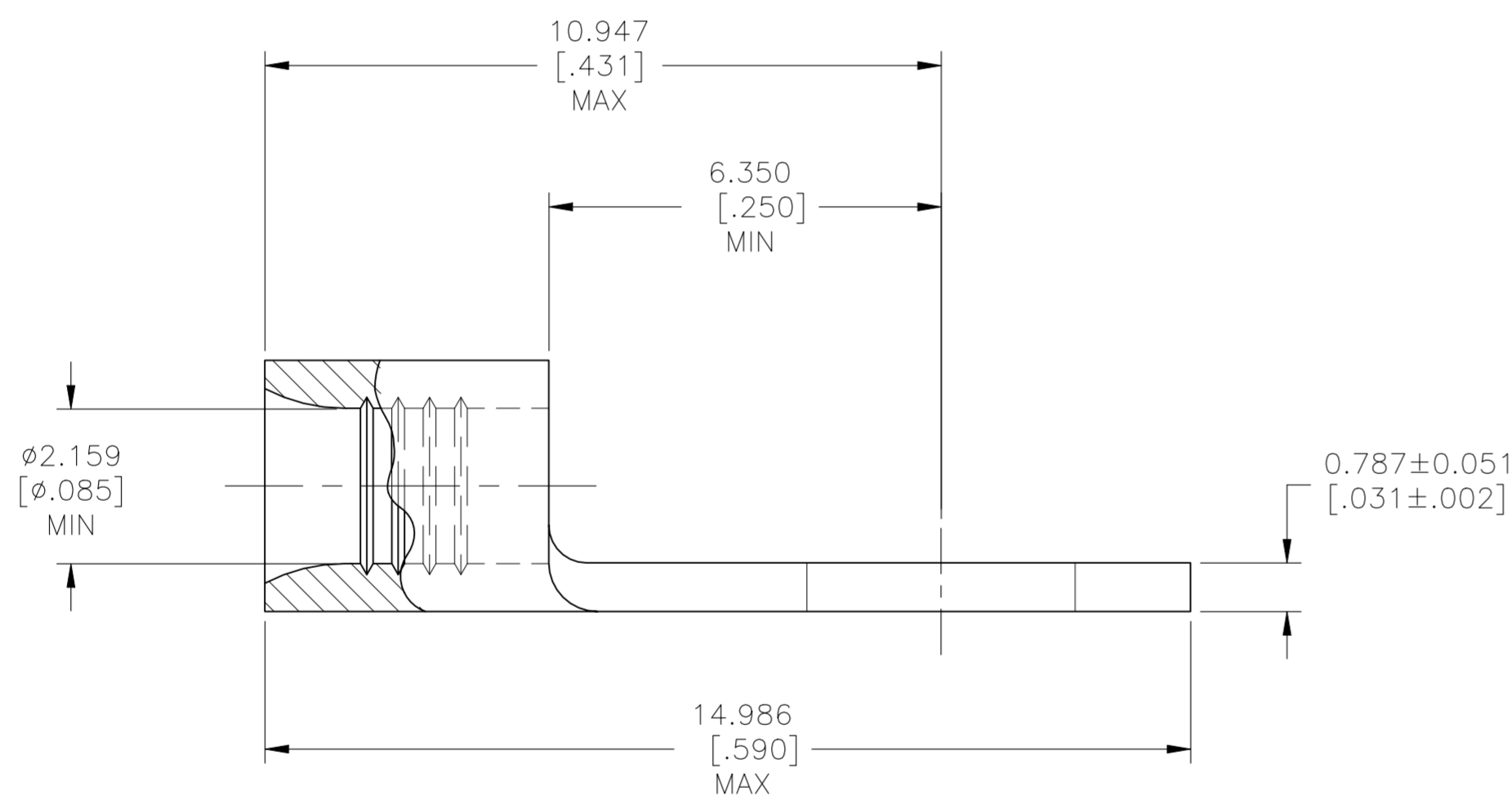
REVISIONS					
P	LTR	DESCRIPTION	DATE	DWN	APVD
C3		REVISED PER ECN-22-150900	27APR2022	RK	CSD



<b>AMP</b> WIRE RANGE	E13288 Listed
16-14 AWG SOLID OR STRANDED	16-14 AWG SOLID OR STRANDED

LR7189 Certified
16-14 AWG SOLID OR STRANDED

- STAMP AMP 16-14\* APPROX AS SHOWN
- UL 486 A-B



# AMP INCORPORATED CUSTOMER SERVICE SYSTEMS

MAX RECOMMENDED OPERATING TEMPERATURE:  
170°C[338°F] MAX

FOR ADDITIONAL  
PRODUCT INFORMATION OR  
COPIES OF DRAWINGS  
AND TECHNICAL DOCUMENTS

PRODUCT INFORMATION CENTER  
1-800-522-6752

VOLTAGE RATING:  
NOT APPLICABLE

FOR APPLICATION  
TOOLING INFORMATION

TOOLING ASSISTANCE CENTER  
1-800-722-1111

WIRE CROSS SECTIONAL AREA RANGE:  
1.04-2.62mm<sup>2</sup>[2,050-5,180] CIR MILS  
SOLID OR STRANDED

FOR ORDER ENTRY

1-800-526-5142

THIS DRAWING IS A CONTROLLED DOCUMENT FOR  
AMP INCORPORATED. IT IS SUBJECT TO CHANGE  
AND THE CONTROLLING ENGINEERING ORGANIZATION  
SHOULD BE CONTACTED FOR THE LATEST REVISION.

5000	ON TAPE	2-321684-1
1000	LOOSE PIECE	321684
QUANTITY	PACKAGING TYPE	PART NO

THIS DRAWING IS A CONTROLLED DOCUMENT.		DWN TA BRINKMAN 3-17-93	TE Connectivity
		CHK DA PATTERSON 3-17-93	
		APVD DE MILLER 3-17-93	
		PRODUCT SPEC	
DIMENSIONS: mm [INCHES]		TOLERANCES UNLESS OTHERWISE SPECIFIED:	NAME TERMINAL, RING TONGUE, SOLISTRAND™
		0 PLC ± - 1 PLC ± - 2 PLC ± - 3 PLC ± 0.127[.005] 4 PLC ± - ANGLES ± -	APPLICATION SPEC
MATERIAL COPPER PER ASTM B-152 ANNEALED		FINISH TIN PLATE 0.00254[.000100] MIN THK PER ASTM B-545	SIZE A2
		WEIGHT -	CAGE CODE 00779
		CUSTOMER DRAWING	DRAWING NO C=321684
		SCALE 10:1	RESTRICTED TO -
		SHEET 1 of 1	REV C3