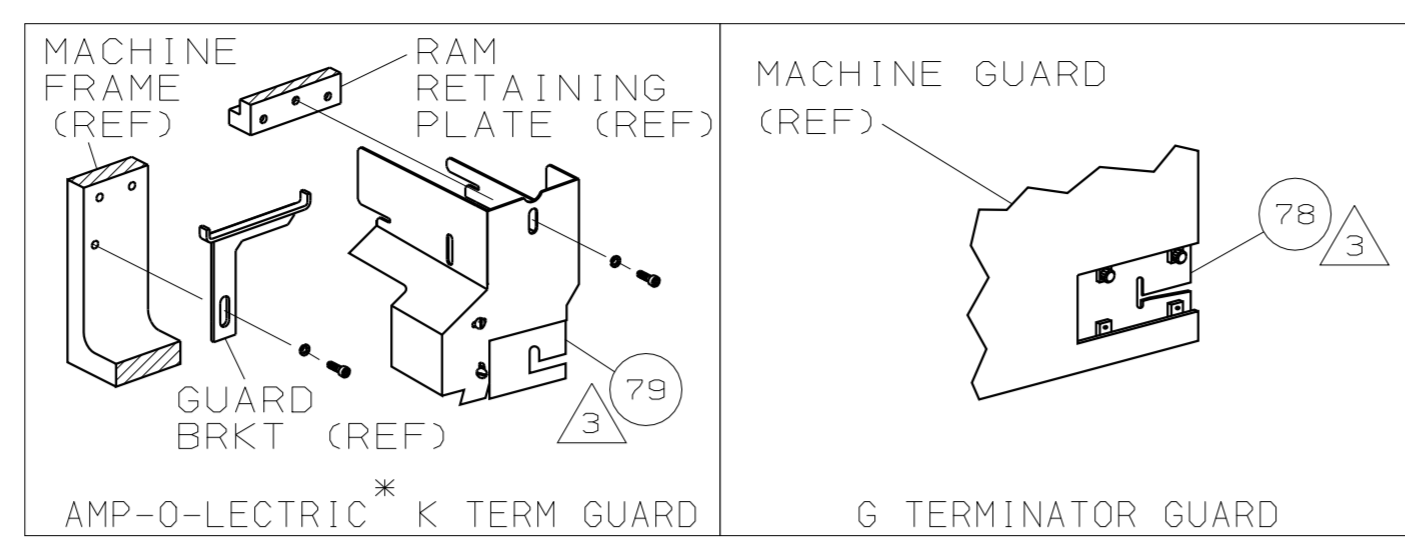
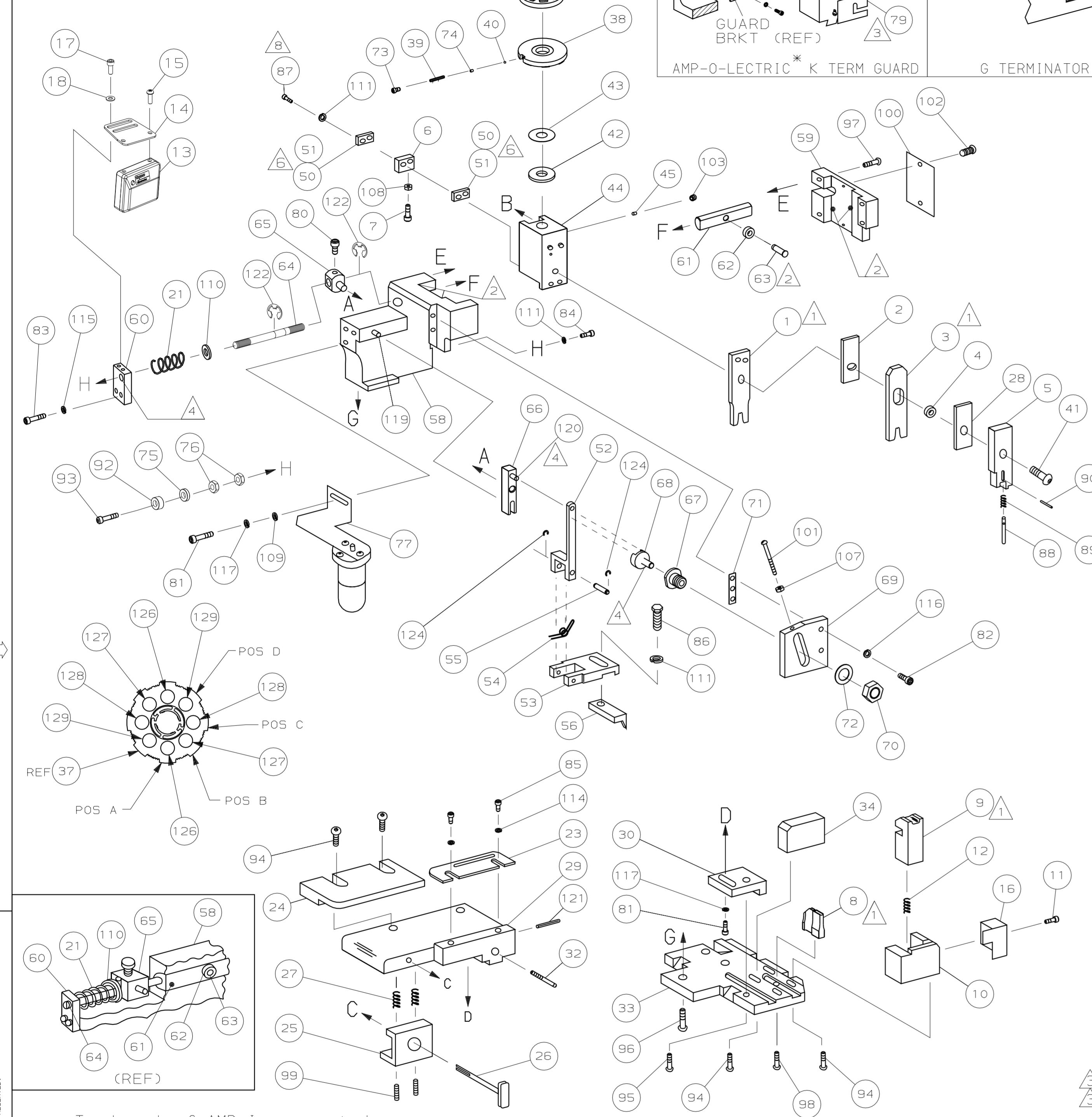


PART NUMBER	REV	FIRST USED
466320-1	AK	854400-1
466320-2	AK	565435-5
466320-3		
466320-4	AK	354500-1
7-466320-7	AA	-

SEE DRAWING 466320-3



TERMINAL NAME: M-N-L PIN & SOCKET	
PIN	SOCKET
61116	61314
350561	350560
350699	350570
926886	350851
61527	926884
170147	1586334
926885	

CRIMPING DATA			
PAD LTR	CRIMP HEIGHT	WIRE SIZE	
A	.048 ±.002	18	
B	.043 ±.002	20	
C	.040 ±.002	22	
D	.038 ±.002	24	
CRIMP	SIZE	TYPE	RANGE
WIRE	.070	F	24-18
INSUL	.100	F	.100 MAX
FEED	APPL INST	SET UP GAGE	LAYOUT
	408-8040	458637-1	198
WIRE STRIP LENGTH .156-.187			

-1 LEADMAKER		MECH POST FEED		-77 SPARE TOOLING KIT			
-2 BENCH MODEL K		MECH PRE FEED					
-4 BENCH MODEL G		MECH PRE FEED					
-	REF	REF	-	B	22594-8	NUT, HEX (1/2-20)	70
-	REF	REF	-	B	240628-1	PLATE, ADJUSTMENT	69
-	REF	REF	-	B	240626-1	SHAFT, PIVOT	68
-	REF	REF	-	B	240633-1	BUSHING	67
-	REF	REF	-	A	455680-1	LEVER, INTERMEDIATE	66
-	REF	REF	-	B	240629-1	BLOCK, PIVOT	65
-	REF	REF	-	A	1804311-1	SCREW, ADJ FEED ROD	64
-	REF	REF	-	B	240659-3	PIN, CAM ROLLER	63
-	REF	REF	-	B	240658-1	ROLLER, CAM	62
-	REF	REF	-	B	454398-2	ROD, FEED	61
-	REF	REF	-	A	1804305-2	GUIDE, FEED ROD	60
-	REF	REF	-	C	454220-1	CAP, RAM	59
-	REF	REF	-	D	454485-1	HOUSING	58
-							57
-	1	1	-	B	458537-2	PAWL, FEED	56
-	REF	REF	-	B	240624-1	PIN, FEED FINGER	55
-	REF	REF	-	B	691499-1	SPRING, FEED FINGER	54
-	REF	REF	-	B	690541-1	HOLDER, FEED FINGER	53
-	REF	REF	-	A	455679-1	LEVER, TERMINAL FEED ARM	52
-	1	1	-	C	240641-7	SPACER, TONKER (.112 THK)	51
-	1	1	-	C	5-240641-9	SPACER, TONKER (.040 THK)	50
-	1	-	-	B	690602-6	CAM, PRE-FEED 1 5/8 ST	49
-	-	1	-	B	690602-5	CAM, PRE-FEED 1 1/8 ST	48
-	-	-	-	B	690501-4	CAM, POST-FEED 1 5/8 ST	47
-	1	1	-	B	459456-1	APPLICATOR, BASIC (SUBASSY)	46
-	1	1	-	A	690191-1	PLUG, NYLON	45
-	1	1	-	C	455673-1	RAM	44
-	1	1	-	A	690125-1	WASHER, LAMINATED	43
-	1	1	-	A	690124-1	WASHER, RAM	42
-	1	1	-	A	7-21002-9	BOLT, CRIMPER (5/16x1.00)	41
-	1	1	-	A	23241-6	BALL, STEEL	40
-	1	1	-	A	690170-1	SPRING, COMPRESSION	39
-	1	1	-	C	690142-1	DISC, INSULATION	38
-	1	1	-	D	354777-1	WIRE DISC, PLASTIC	37
-	1	1	-	A	22480-5	WASHER, SPRING	36
-	1	1	-	B	690212-1	POST, RAM	35
-	1	1	-	B	692776-4	SUPPORT, TERMINAL	34
-	REF	REF	-	D	455675-1	PLATE, BASE	33
-	1	1	-	A	690432-3	SCREW, ADJUSTMENT	32
-							31
-	REF	REF	-	B	455689-1	BLOCK, STRIP GUIDE ADJ	30
-	1	1	-	C	455671-4	PLATE, STRIP GUIDE	29
-	1	1	-	C	1-455888-0	SPACER, FRONT SHEAR DEP	28
-	2	2	-	A	1-22284-0	SPRING, DRAG	27
-	1	1	-	B	690546-1	LEVER, DRAG RELEASE	26
-	1	1	-	B	240792-5	DRAG, TERMINAL	25
-	1	1	-	D	6-690504-8	GUIDE, STRIP (REAR)	24
-	1	1	-	A	690438-1	GUIDE, STRIP (FRONT)	23
-	-	-	-	B	690472-2	STRIPPER	22
-	REF	REF	-	A	4-22284-9	SPRING, FEED RETURN	21
-							20
-	1	1	-	B	691353-1	STRIPPER	19
-	REF	REF	-	-	18028-2	WASHER, FLAT, REG M4	18
-	REF	REF	-	-	9-21000-9	SCR, SK HD CAP, 8-32 X .44	17
-	1	1	-	B	318563-1	GUARD, CHIP (FRONT)	16
-	REF	REF	-	-	994991-5	SCREW, OVL HD, M4X12	15
-	REF	REF	-	-	1804303-1	BRACKET, COUNTER MOUNTING	14
-	REF	REF	-	-	1804300-1	ASSY, APPLICATOR COUNTER	13
-	1	1	-	A	3-22280-3	SPRING, SHEAR	12
-	1	1	-	B	690461-1	STOP, SHEAR	11
-	1	1	-	C	690459-1	HOLDER, SHEAR (FRONT)	10
-	1	1	-	C	462006-1	SHEAR, FLOAT (FRONT)	9
1	1	1	-	C	3-690471-0	ANVIL	8
-	1	1	-	C	811242-2	BUMPER, HOLD DOWN	7
-	1	1	-	A	690753-1	HOLDER, DEPRESSOR	6
-	1	1	-	C	854772-1	DEPRESSOR, SHEAR (FRONT)	5
-	1	1	-	B	2-238011-2	SPACER, BLOCK CRIMPER	4
1	1	1	-	C	4-456134-8	CRIMPER, INSULATION	3
-	1	1	-	C	455888-7	SPACER, CRIMPER	2
1	1	1	-	C	1-456404-8	CRIMPER, WIRE	1

QTY	RECD	PER	ASSY	TERMS	APPL	SPEC	114-1011	DESCRIPTION	ITEM NO	
-	2	2	2	-	C			4-354779-7	PIN, WIRE DISC (.3225)D	129
-	2	2	2	-	C			4-354779-2	PIN, WIRE DISC (.3200)C	128
-	2	2	2	-	C			3-354779-6	PIN, WIRE DISC (.3170)B	127
-	2	2	2	-	C			2-354779-6	PIN, WIRE DISC (.3120)A	126
-	1	1	1	-	A			986950-1	WASHER, FLAT PRECISION	125
-	REF	REF	REF	-	A			21045-3	RING, RET "C" (Ø.187)FD FING PIN	124
-	REF	REF	REF	-	-			1-21046-6	RING, RETAIN, EXTERN, 5/16 E-RING	123
-	1	1	1	-	A			4-21028-0	PIN, SLT SPR (Ø.093x.75)ST GDE PL	121
-	REF	REF	REF	-	A			1-21030-1	PIN, DOWEL (Ø.187x.50)LEVER	120
-	REF	REF	REF	-	A			1-21030-6	PIN, DOWEL (Ø.187x1.25)HOUSING	119
-										118
-	1	2	1	-	A			21024-5	WASHER, LOCK (#10)ADJ BLOCK	117
-	REF	REF	REF	-	A			21024-5	WASHER, LOCK (#10)ADJ PLATE	116
-	REF	REF	REF	-	A			21024-5	WASHER, LOCK (#10)FEED GDE ROD	115
-	2	2	2	-	A			21024-2	WASHER, LOCK (#4)FRONT STP GUIDE	114
-										113
-										112
4	4	4	-	A				21024-4	WASHER, LOCK (#8)	111
-	REF	REF	REF	-	A			21899-4	WASHER, FLAT (Ø5/16)SCREW ADJ	110
-	-	1	REF	-	A			21899-2	WASHER, FLAT (NO. 10)LUB ASSY	109
-	1	1	1	-	A			21018-5	NUT, HEX (6-32)	108
-	REF	REF	REF	-	A			21018-5	NUT, HEX (6-32)FEED ADJ	107
-										106
-										105
-										104
-	1	1	1	-	A			21009-2	SCR, SKT SET (1/4-20x.25 LW)RAM	103
-	2	2	2	-	A			21017-2	SCR, DRIVE (#2x.19)ID PLATE	102
-	REF	REF	REF	-	A			6-23715-5	SCR, PAN HD (6-32x1.50)FEED ADJ	101
-	1	1	1	-	B			461264-1	PLATE, IDENTIFICATION	100
-	2	2	2	-	A			5-21006-6	SCR, SET (10-32x.75)DRAG	99
-	1	1	1	-	A			22733-8	SCR, BHC (8-32x.38 LW)ANVIL	98
-	REF	REF	REF	-	A			2-21002-9	SCR, BHC (10-32x.75)CAP	97
-	REF	REF	REF	-	A			2-22733-8	SCR, BHC (1/4-20x.62)HOUSING	96
-	REF	REF	REF	-	A			2-21002-7	SCR, BHC (10-32x.50)SG ADJ BLOCK	95
-	6	6	6	-	A			2-21002-2	SCR, BHC (8-32x.50)SHEAR	94
-	REF	REF	REF	-	-			3-21081-3	SHCS. 1/4-20 X 1.25	93
-	REF	REF	REF	-	-			1804299-1	SPACER, MAGNET	92
-	1	1	1	-	A			1-21002-7	SCR, BHC (6-32x.38)CAM	91
-	1	1	1	-	1			21028-2	PIN, SLOTTED SPRING	90
-	1	1	1	-	1			5-547505-2	SPRING, COMPRESSION	89
-	1	1	1	-	1			854769-4	HOLDER, INSULATION	88
-	2	2	2	-	A			2-21000-8	SCR, SHC (8-32x.63)DEP HOLD	87
-	1	1	1	-	A			2-22603-0	SCR, HEX HD (8-32x.31)FEED FINGER	86
-	2	2	2	-	A			1-21000-3	SCR, SHC (4-40x.25)F ST GUIDE	85
-	1	1	1	-	A			2-21000-7	SCR, SHC (8-32x.50)STRIPPER	84
-	REF	REF	REF	-	A			3-21000-7	SCR, SHC (10-32x.75)FEED ROD GD	83
-	REF	REF	REF	-	A			3-21000-6	SCR, SHC (10-32x.62)FD ADJ BLK	82
-	1	2	1	-	A			3-21000-4	SCR, SHC (10-32x.38)SG ADJ BL	81
1	1	1	1	-	1			854772-1	DEPRESSOR, SHEAR (FRONT)	80
-	REF	REF	REF	-	B			455749-1	GUARD, WINDOW	79
-	REF	REF	REF	-	B			679532-1	INSERT, GUARD	78
-	-	1	REF	-	C			1-465184-0	LUBRICATOR ASSY	77
-	REF	REF	REF	-	-			22593-1	NUT, HEX, JAM, SS	76
-	REF	REF	REF	-	-			1804310-1	MAGNET, RING	75
-	1	1	1	-	A			690603-1	SPRING, ASSIST	74
-	1	1	1	-	A			23030-1	SCR, SHC (6-32x.25 SL)INS DISC	73
-	REF	REF	REF	-	A			458109-1	WASHER, SPECIAL	72
-	REF	REF	REF	-	A			690517-1	SPACER	71
-	-	-	-	-	U/M					70
-	-	-	-	-	U/M					69
-	-	-	-	-	U/M					68
-	-	-	-	-	U/M					67
-	-	-	-	-	U/M					66
-	-	-	-	-	U/M					65
-	-	-	-	-	U/M					64
-	-	-	-	-	U/M					63
-	-	-	-	-	U/M					62
-	-	-	-	-	U/M					61
-	-	-	-	-	U/M					60
-	-	-	-	-	U/M					59
-	-	-	-	-	U/M					58
-	-	-	-</							