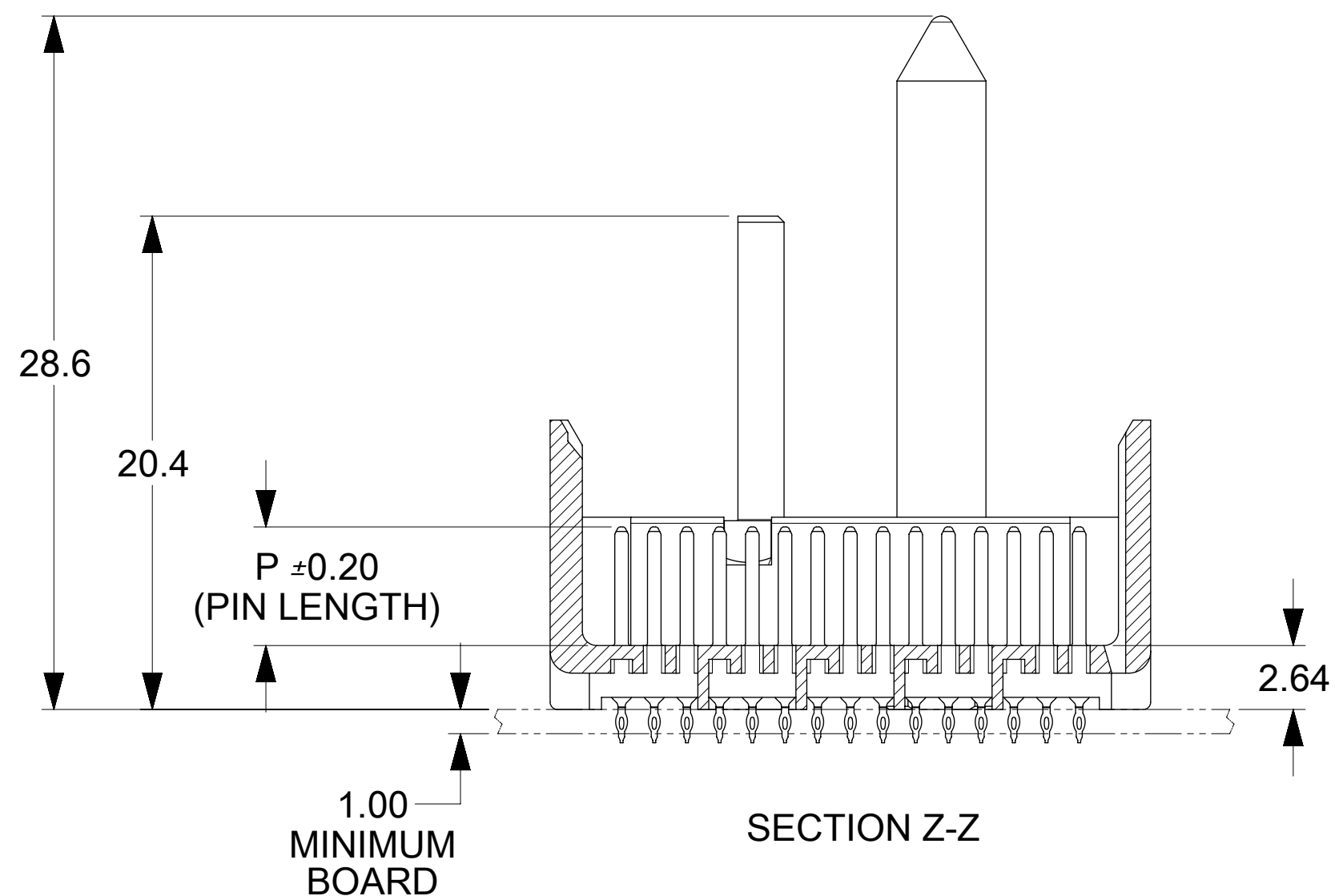
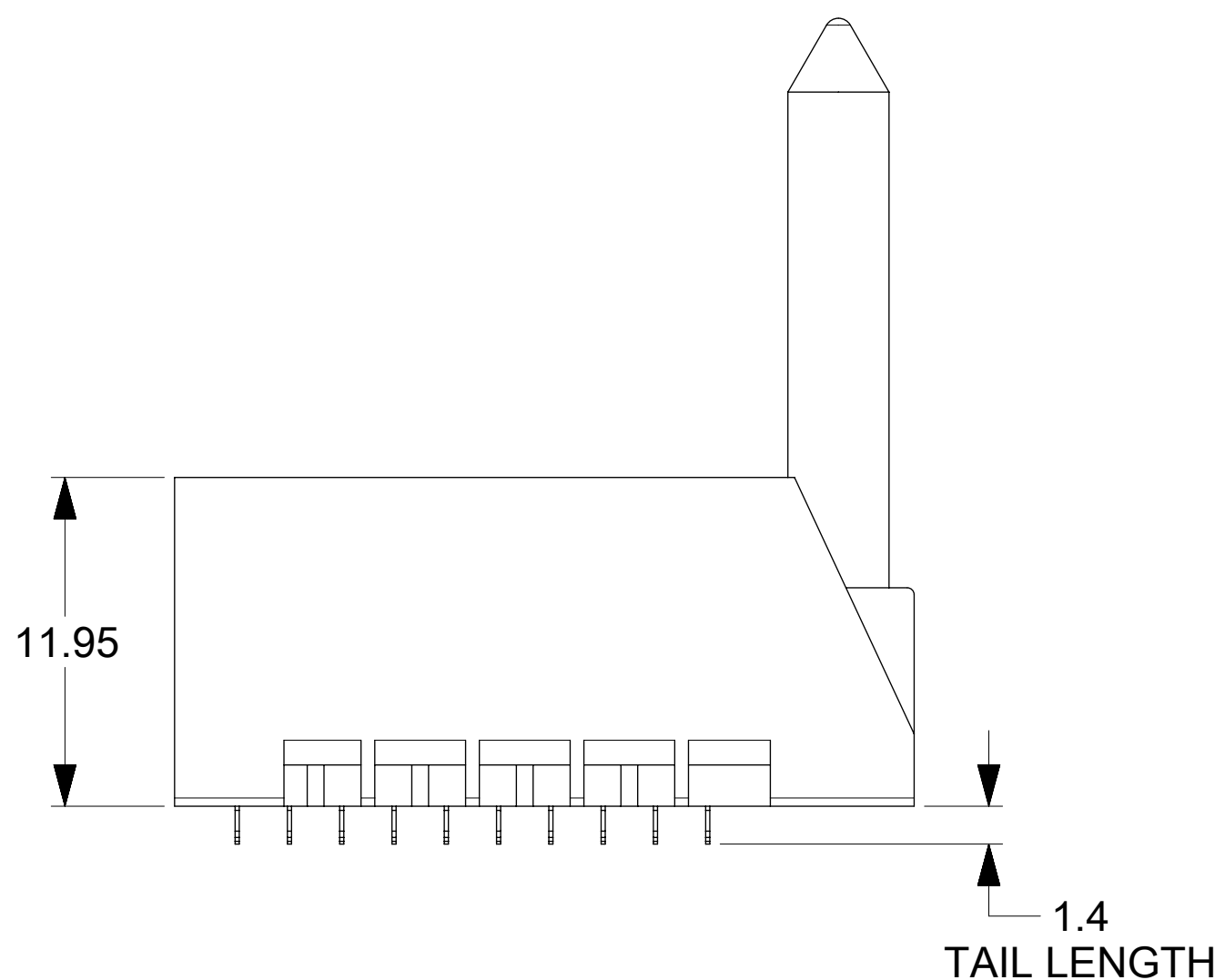


- ROW A
- ROW B
- ROW C
- ROW D
- ROW E
- ROW F
- ROW G
- ROW H
- ROW J
- ROW K
- ROW L
- ROW M
- ROW N
- ROW O
- ROW P

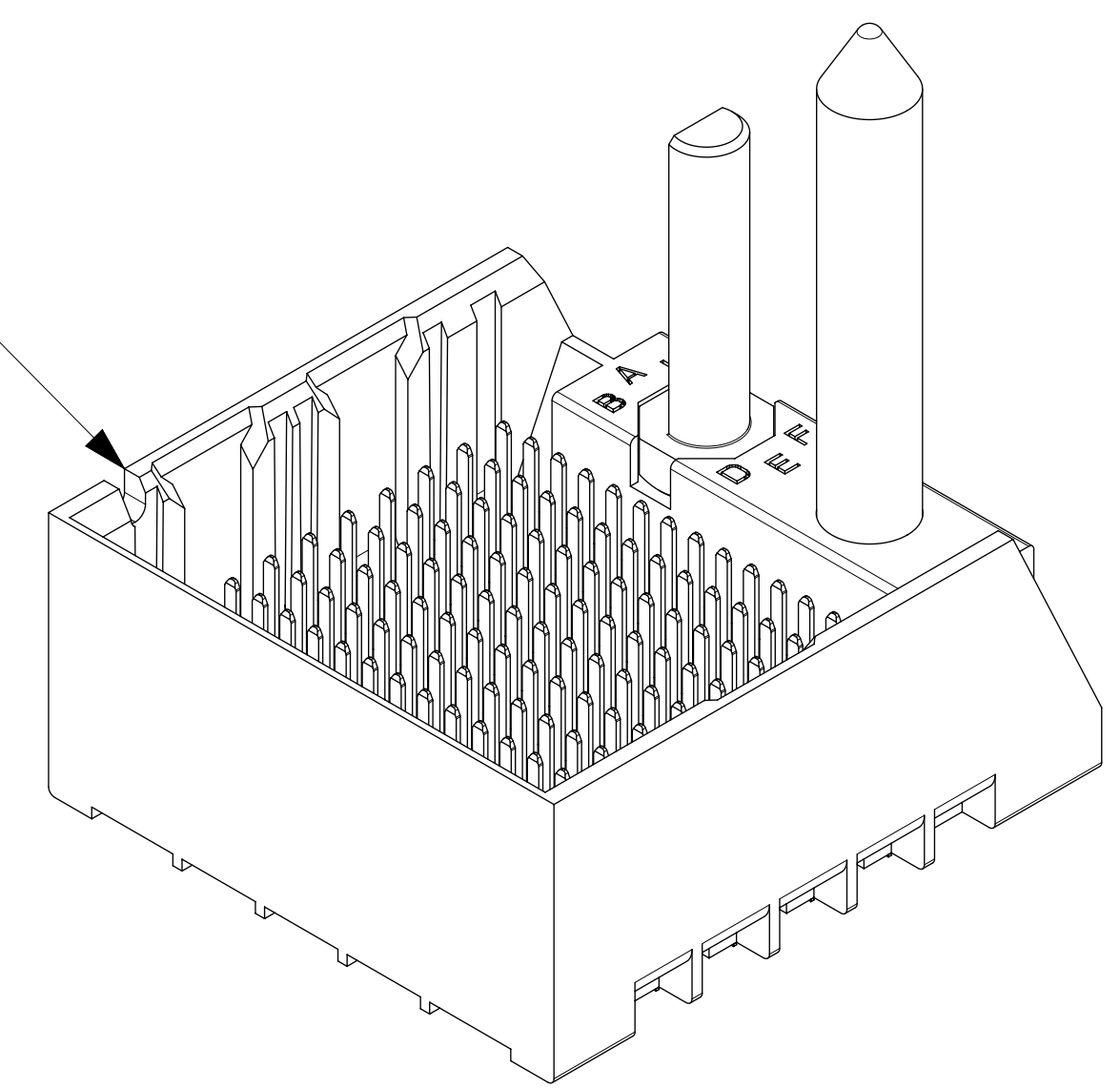
SEE NOTE #7
 $\varnothing 0.15$
 $\varnothing 3.56 \pm 0.08$
 UNPLATED
 SCREW HOLE

$\varnothing 0.10$
 SEE PART NUMBER CHART
 AND
 PART NUMBER LOGIC
 (15 HOLES PER COLUMN)

RIGHT GUIDED
 BACKPLANE HOLE PATTERN
 (CONNECTOR SIDE)
 SEE NOTE 12



NOTCH DESIGNATES
 ROW A



- NOTES:
1. MATERIALS: HOUSING - LIQUID CRYSTAL POLYMER (LCP)
 GLASS-FILLED, UL94V-0
 TERMINALS - HIGH PERFORMANCE COPPER ALLOY
 2. FINISH: 30μ MIN. GOLD IN CONTACT AREA.
 SELECTIVE TIN ON PCB TAILS.
 NICKEL OVERALL.
 3. REFER TO MOLEX PRODUCT SPECIFICATION PS-76060-999
 FOR PERFORMANCE SPECIFICATIONS AND ADDITIONAL PCB INFORMATION.
 4. THIS PART CONFORMS TO CLASS B REQUIREMENTS OF
 MOLEX COSMETIC SPEC PS-45499-002.
 5. PACKAGE PER: PK-70873-759.
 6. SEE SHEETS 2 & 3 FOR PART NUMBERS AND BOARD RELATIONSHIPS.
 7. FOR GROUNDED GUIDE PINS USE DIA. 3.56 +/-0.08 (PTH)
 DIA. 3.66 (DRILL) AND DIA 6.5 (PAD).
 8. MATES WITH IMPACT DC SERIES NO. 76060.
 9. KEEP OUT ZONE FOR BP HOUSING LENGTH INCLUDES AN ADDITIONAL 1.0MM
 TO ACCOMMODATE FOR SPACE REQUIRED BY DC FRONT HOUSING.
 10. REFER TO MOLEX PCB ROUTING GUIDE AS-76060-990 FOR ANTIPAD AND ROUTING RECOMMENDATIONS.
 11. CONNECTORS SUPPLIED WITH A 2-56 UNC-2A SCREW.
 12. "THESE DIMENSIONS REPRESENT THE AREA NEEDED TO ACCOMMODATE CONNECTOR INSERTION AND REPAIR
 ON THE PC BOARD. THIS IS REFERRED TO AS THE "CONNECTOR KEEP OUT ZONE" AND DOES NOT
 REPRESENT THE ACTUAL PERIMETER OF THE CONNECTOR. WHEN LAYING OUT A PC BOARD FOR CONNECTORS
 STACKED TOGETHER, USE A 1.9mm PROGRESSION."

THIS DRAWING CONTAINS INFORMATION THAT IS PROPRIETARY TO MOLEX ELECTRONIC TECHNOLOGIES, LLC AND SHOULD NOT BE USED WITHOUT WRITTEN PERMISSION

MIGRATED TO NX EC NO: 167466 DRWN: ABABU01 CHKD: CD REV APPR: GGA	2017/10/31	GENERAL TOLERANCES (UNLESS SPECIFIED)	DIMENSION UNITS	SCALE	molex IMPACT 5 PAIR HEADER RIGHT GUIDED ASSEMBLY SALES DRAWING		
	2017/10/31	ANGULAR TOL ± 0.5 °	MM	4:1			
	2017/11/02	4 PLACES ±	DRWN BY	DATE	PRODUCT CUSTOMER DRAWING		
		3 PLACES ±	MSANDBERG	2007/05/24			
		2 PLACES ± 0.13	CHKD BY	DATE			
	1 PLACE ± 0.25	JLAURX	2007/05/24	SERIES MATERIAL NUMBER CUSTOMER			
	0 PLACES ±	APPR BY	DATE				
	DRAFT WHERE APPLICABLE MUST REMAIN WITHIN DIMENSIONS	JLAURX	2010/10/15	76055	SEE TABLE	GENERAL MARKET	
		DRAWING SIZE	THIRD ANGLE PROJECTION	DOCUMENT NUMBER	DOC TYPE	DOC PART SHEET NUMBER	
J2		D		SD-76055-003	PSD	001 1 OF 3	

PART NUMBER LOGIC

76055-****

MODULE TYPE
 5 = GUIDE RIGHT, TIN
 9 = GUIDE RIGHT END WALL, TIN

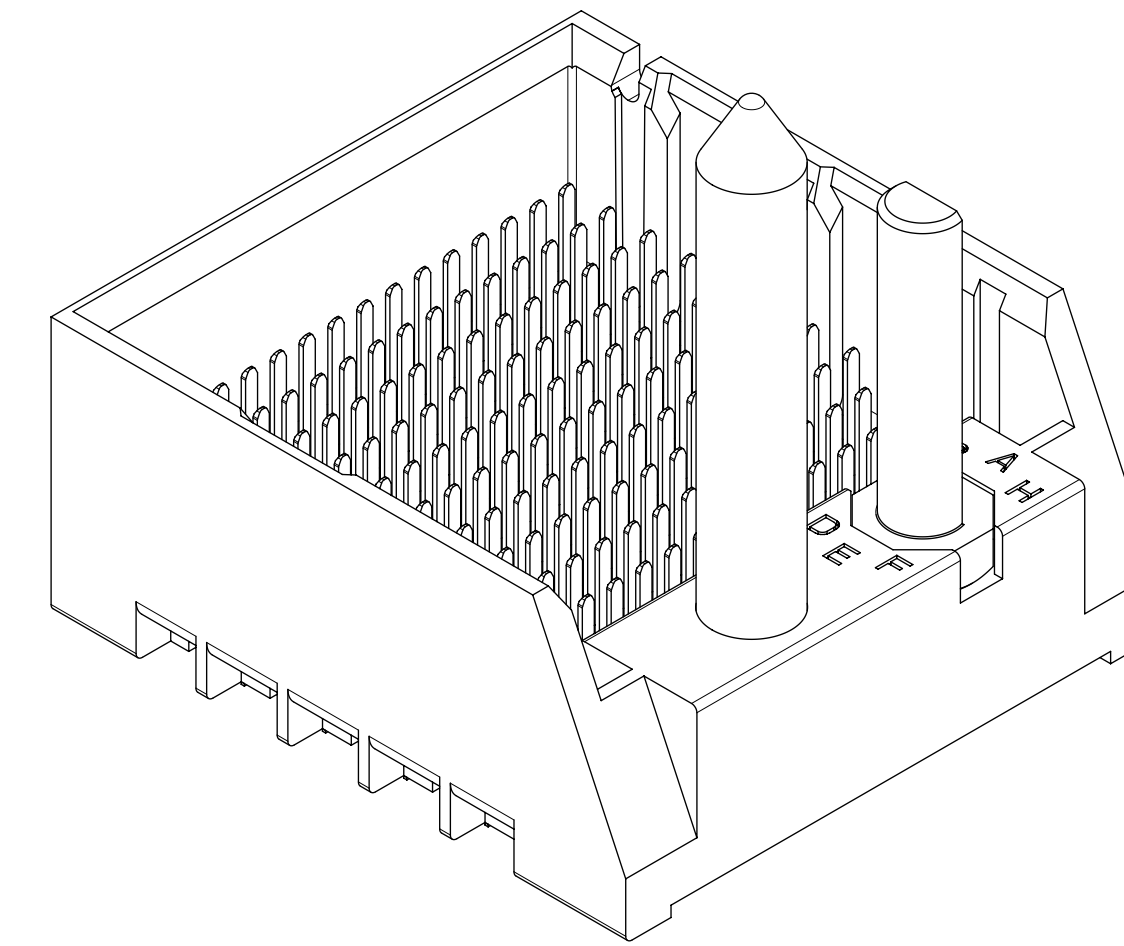
OF COLUMNS
 1 = 10 COL
 2 = 12 COL
 6 = 16 COL
 7 = 14 COL

PIN LENGTH (P)
 3 = 4.50 (SHORT COMPLIANT, 0.46±0.05 PTH)
 4 = 4.90 (SHORT COMPLIANT, 0.46±0.05 PTH)
 5 = 5.50 (SHORT COMPLIANT, 0.46±0.05 PTH)
 6 = 4.50 (MICRO COMPLIANT, 0.39±0.05 PTH)
 7 = 4.90 (MICRO COMPLIANT, 0.39±0.05 PTH)
 8 = 5.50 (MICRO COMPLIANT, 0.39±0.05 PTH)

KEY ORIENTATION
 0 = NO KEY
 1 = A
 2 = B
 3 = C
 4 = D
 5 = E
 6 = F
 7 = G
 8 = H

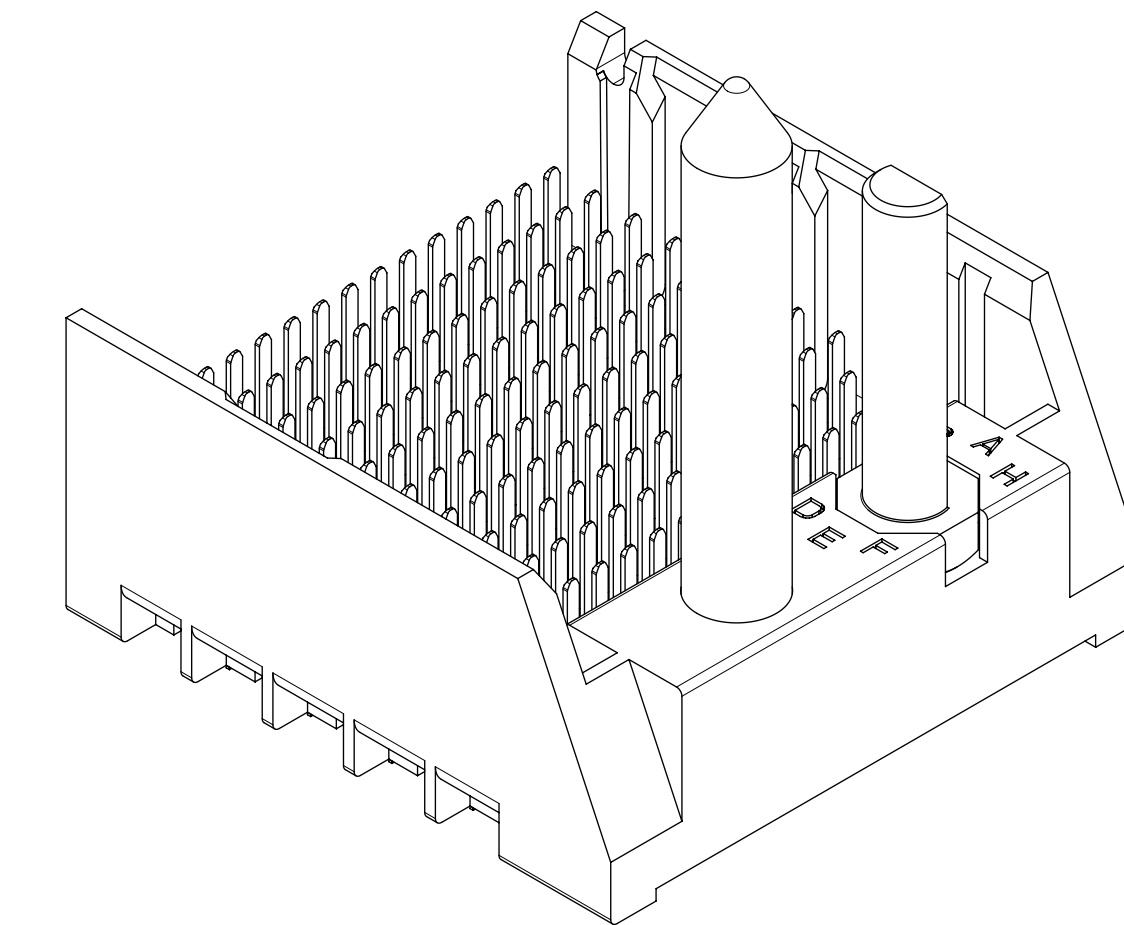
PART NUMBER TABLE

MATERIAL NUMBER	# OF COLUMNS	# OF DIFF. PAIR	DIM. A	DIM. B	GUIDE RIGHT END WALL OPTION
76055-*1**	10	50	26.9	17.10	
76055-*2**	12	60	30.7	20.90	
76055-*7**	14	70	34.5	24.70	
76055-*6**	16	80	38.3	28.50	



GUIDE RIGHT
END WALL
OPTION

MATERIAL NUMBER	# OF COLUMNS	# OF DIFF. PAIR	DIM. A	DIM. B	GUIDE RIGHT OPEN WALL OPTION
76055-*1**	10	50	25.5	17.10	
76055-*2**	12	60	29.3	20.90	
76055-*7**	14	70	33.1	24.70	
76055-*6**	16	80	36.9	28.50	

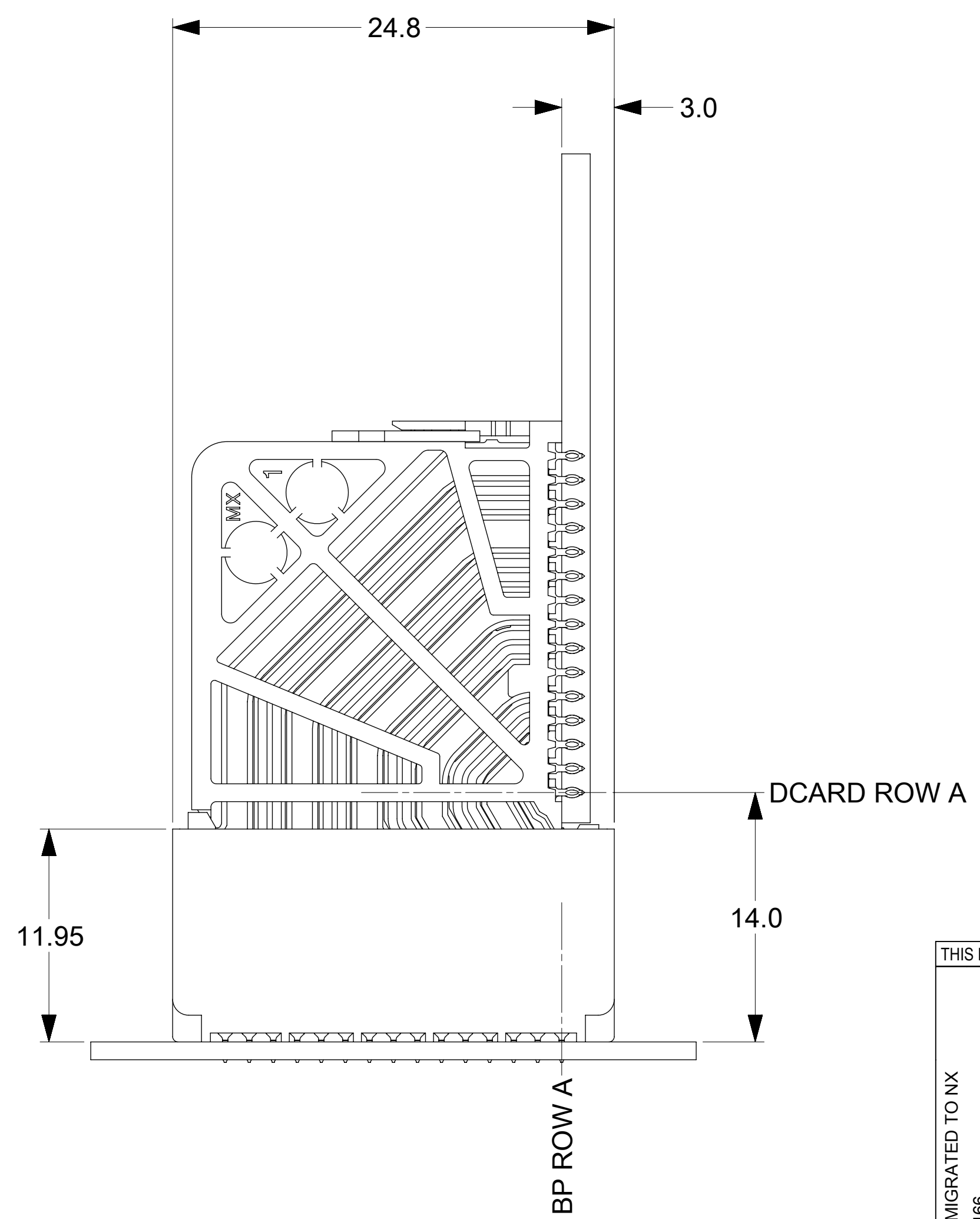
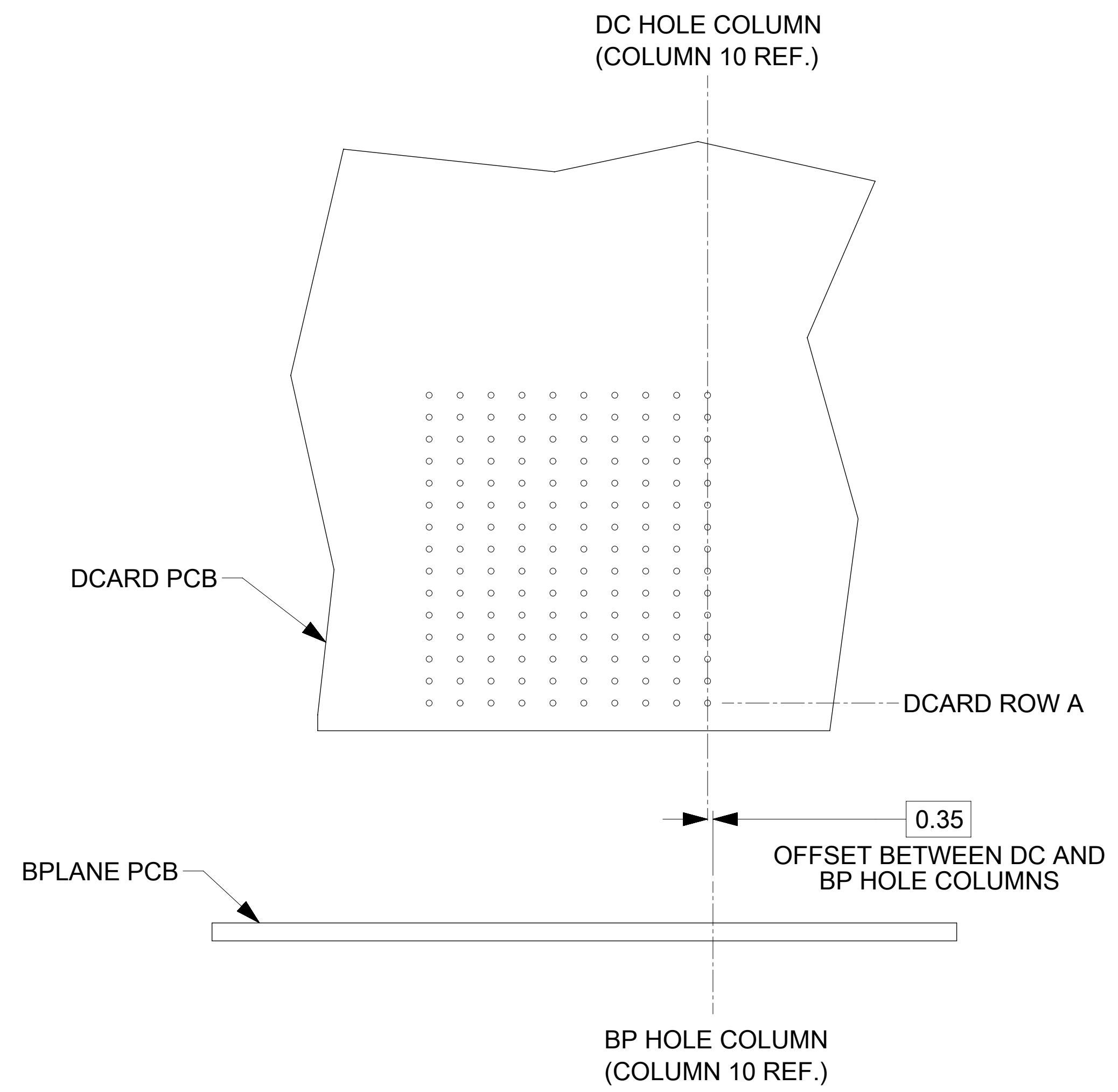
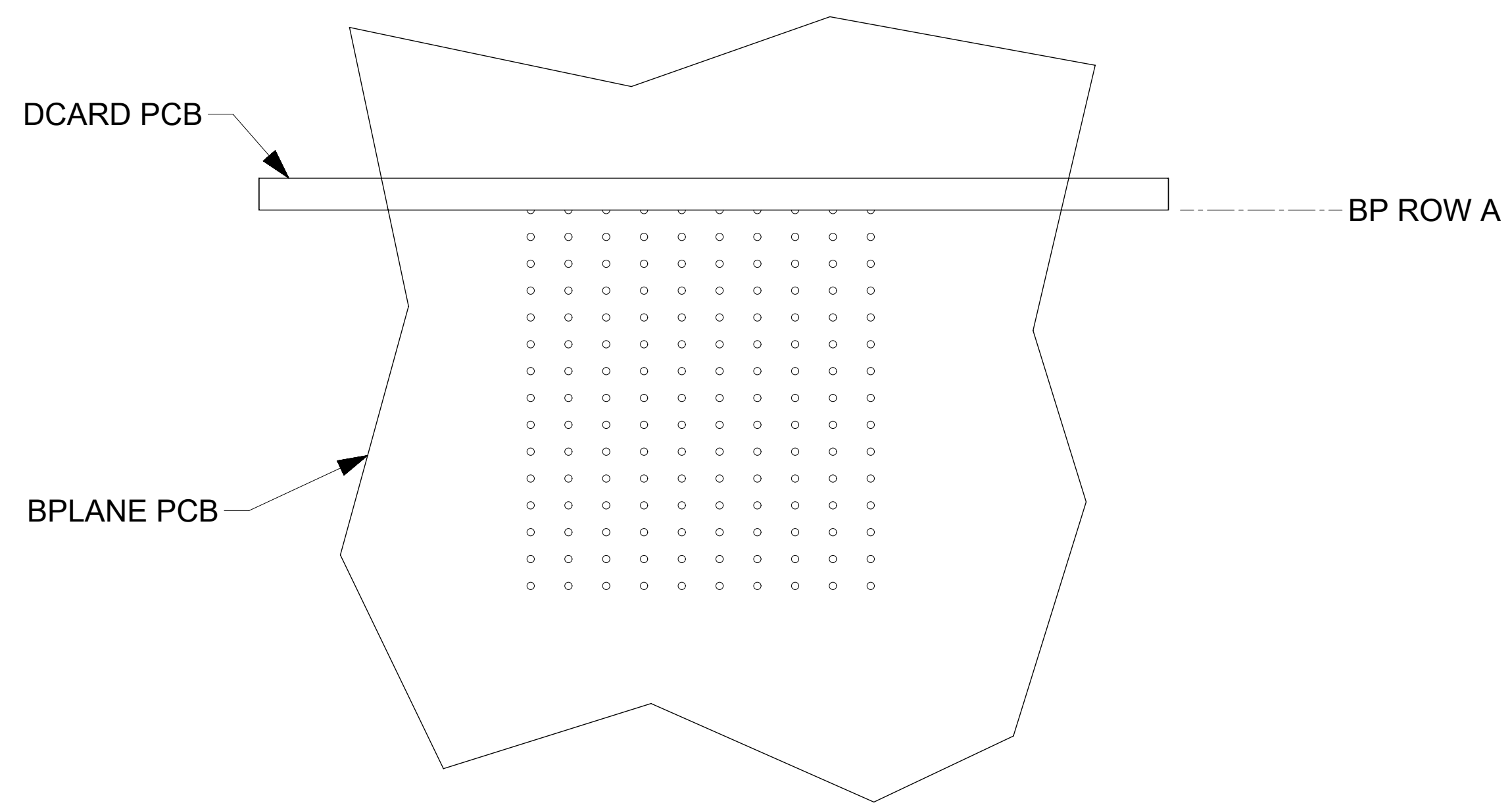


GUIDE RIGHT
OPEN WALL
OPTION

THIS DRAWING CONTAINS INFORMATION THAT IS PROPRIETARY TO MOLEX ELECTRONIC TECHNOLOGIES, LLC AND SHOULD NOT BE USED WITHOUT WRITTEN PERMISSION

MIGRATED TO NX EC NO: 167466 DRWN: ABAB001 CHKD: CD REV APPR: GGA	2017/10/31	GENERAL TOLERANCES (UNLESS SPECIFIED)	DIMENSION UNITS	SCALE	molex IMPACT 5 PAIR HEADER RIGHT GUIDED ASSEMBLY SALES DRAWING PRODUCT CUSTOMER DRAWING			
	2017/10/31	ANGULAR TOL ± 0.5 °	MM	4:1				
	2017/11/02	4 PLACES ±	DRWN BY	DATE				
		3 PLACES ±	MSANDBERG	2007/05/24				
		2 PLACES ± 0.13	CHKD BY	DATE				
		1 PLACE ± 0.25	JLAURX	2007/05/24				
	0 PLACES ±	APPR BY	DATE	SERIES	MATERIAL NUMBER	CUSTOMER		
	DRAFT WHERE APPLICABLE MUST REMAIN WITHIN DIMENSIONS	JLAURX	2010/10/15	76055	SEE TABLE	GENERAL MARKET		
J2		DRAWING SIZE	THIRD ANGLE PROJECTION		DOCUMENT NUMBER	DOC TYPE	DOC PART	SHEET NUMBER
		D			SD-76055-003	PSD	001	2 OF 3

IMPACT 5 PAIR
BOARD RELATIONSHIPS



THIS DRAWING CONTAINS INFORMATION THAT IS PROPRIETARY TO MOLEX ELECTRONIC TECHNOLOGIES, LLC AND SHOULD NOT BE USED WITHOUT WRITTEN PERMISSION

MIGRATED TO NX EC NO: 167466 DRWN: ABABU01 CHKD: CD REV APPR: GGA	2017/10/31	GENERAL TOLERANCES (UNLESS SPECIFIED)	DIMENSION UNITS	SCALE	<p>IMPACT 5 PAIR HEADER RIGHT GUIDED ASSEMBLY SALES DRAWING</p> <p>PRODUCT CUSTOMER DRAWING</p> <p>SERIES: 76055 MATERIAL NUMBER: SEE TABLE CUSTOMER: GENERAL MARKET</p> <p>DOCUMENT NUMBER: SD-76055-003 DOC TYPE: PSD DOC PART: 001 SHEET NUMBER: 3 OF 3</p>
	2017/10/31	ANGULAR TOL ± 0.5 °	MM	4:1	
	2017/11/02	4 PLACES ±	DRWN BY	DATE	
		3 PLACES ±	MSANDBERG	2007/05/24	
		2 PLACES ± 0.13	CHKD BY	DATE	
	1 PLACE ± 0.25	JLAURX	2007/05/24		
	0 PLACES ±	APPR BY	DATE		
	DRAFT WHERE APPLICABLE MUST REMAIN WITHIN DIMENSIONS	JLAURX	2010/10/15	DRAWING SIZE	THIRD ANGLE PROJECTION
J2		D			