

---

## Si4827 DEMO BOARD USER'S GUIDE

---

### 1. Features

- ATDD (analog tune and digital display) FM/AM/SW radio
- Worldwide FM band support from 64 MHz to 109 MHz with 5 default sub-bands:
  - FM1 87—108 MHz (Demo Board Default)
  - FM2 86.5—109 MHz
  - FM3 87.3—108.25 MHz
  - FM4 76—90 MHz
  - FM5 64—87 MHz (Demo Board Default)
- Worldwide AM band support from 504 to 1750 kHz with 5 default sub-bands
  - AM1 520—1710 kHz (Demo Board Default)
  - AM2 522—1620 kHz (Demo Board Default)
  - AM3 504—1665 kHz
  - AM4 520—1730 kHz
  - AM5 510—1750 kHz
- Worldwide SW band support from 2.3 to 28.5 MHz with 16 default sub-bands:
  - SW1 5.6—6.4 MHz (DEMO Board Default)
  - SW2 5.95—6.2 MHz
  - SW3 6.8—7.6 MHz (DEMO Board Default)
  - SW4 7.1—7.6 MHz
  - SW5 9.2—10 MHz (DEMO Board Default)
  - SW6 9.2—9.9 MHz
  - SW7 11.45—12.25 MHz (DEMO Board Default)
  - SW8 11.6—12.2 MHz
  - SW9 13.4—14.2 MHz (DEMO Board Default)
  - SW10 13.57—13.87 MHz
  - SW11 15—15.9 MHz (DEMO Board Default)
  - SW12 15.1—15.8 MHz
  - SW13 17.1—18 MHz (DEMO Board Default)
  - SW14 17.48—17.9 MHz
  - SW15 21.2—22 MHz (DEMO Board Default)
  - SW16 21.45—21.85 MHz
- Support wider FM/SW band range.
- Twelve positions slide switch or one push button for selecting different band according to the target application.
- Two AAA battery operations with working voltage down to 2.0 V
- Economical potentiometer for frequency tuning replaces more expensive variable capacitor (PVC).
- Potentiometer and/or push button volume control
- FM 50  $\mu$ s or 75  $\mu$ s (default) de-emphasis
- 9-level Bass/Treble via push button control for FM
- 7-level Bass/Treble via push button control for AM/ SW
- FM/AM/SW band indicator and frequency display in LCD
- 2×4 matrix keypad
- The frequency range of each band, De-emphasis and AM channel space can be re-configured by host MCU.

# Si4827-DEMO

## 2. Overview

This manual describes the operation of the Silicon Labs Si4827-DEMO board Rev1.1, January 22, 2013. The Silicon Laboratories Si4827-DEMO board is designed with the 16-pin SOIC packaged Si4827 chip, the revolutionary single chip AM/FM/SW receiver that integrates everything from antenna input to audio output and allows use of common and economical potentiometers to do the frequency tuning. It provides a complete portable analog tune analog display AM/FM/SW radio design. The LCD displays the tuning information. The Si4827-DEMO is designed with 1-layer PCB, allowing the lowest cost without sacrificing the RF performance. The DEMO board works with two AAA batteries and working voltage down to 2.0 V.

## 3. Description

Figure 1 and Figure 2 shows the physical layout of the board with key components indicated.

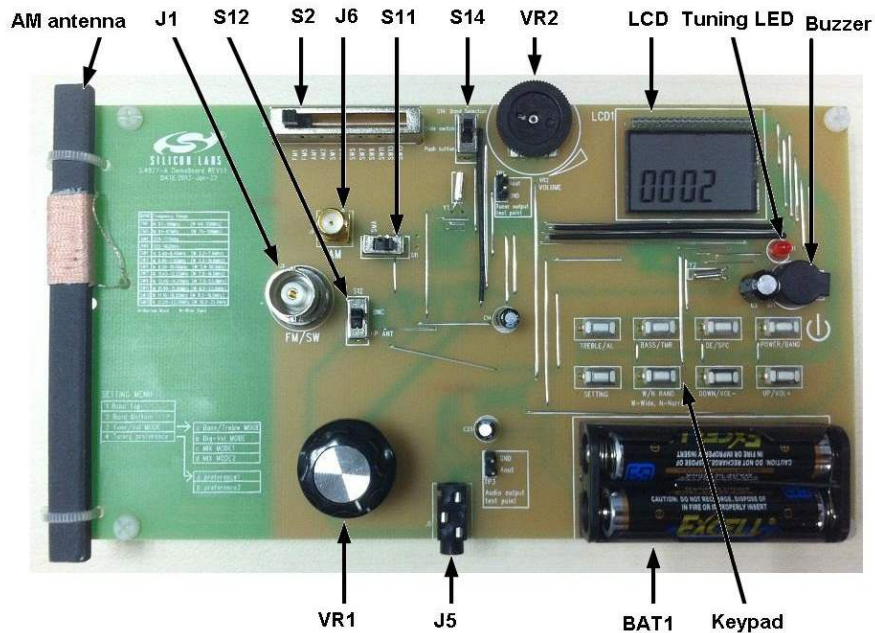


Figure 1. Si4827-DEMO Board Top Side in Time Mode

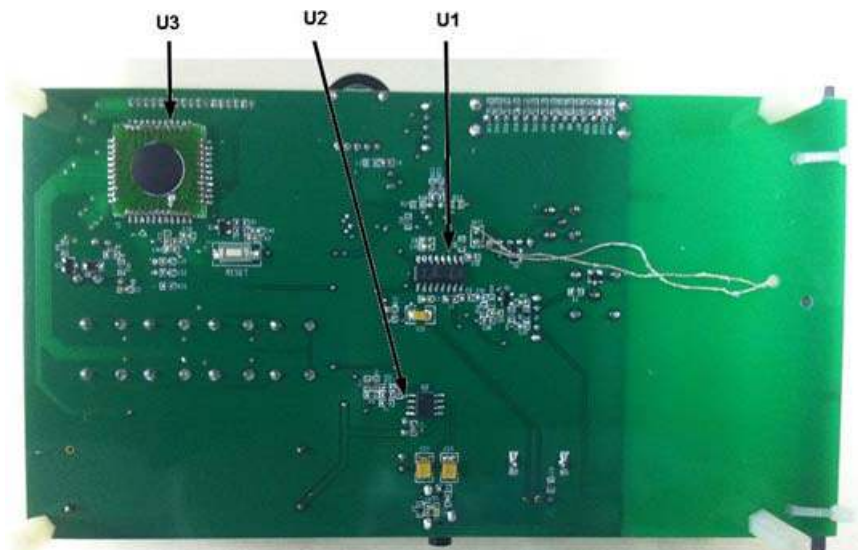


Figure 2. Si4827-DEMO Board Bottom Side

**Power:**

BAT1: 2 cells AAA battery compartment

**Audio Connectors:**

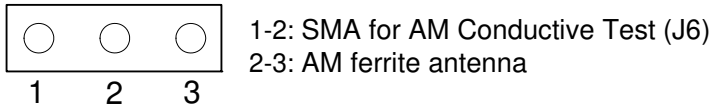
J5: Mono audio headphone output

**Antenna Selections:**

AM antenna: Ferrite stick antenna for AM

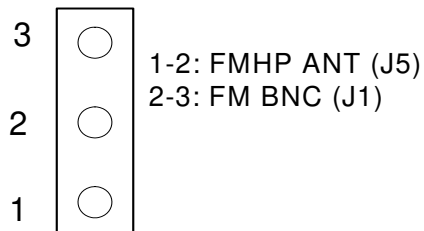
J6: SMA connector for AM conductive test

S11: AM antenna selector



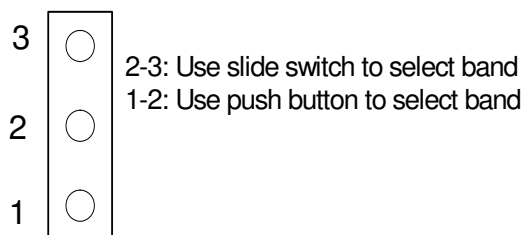
J1: BNC connector for FM/ SW conductive test or FM whip

S12: FM antenna selector

**Radio Band Selection:**

The DEMO board provides two methods for selecting the radio band: one is to use the slide switch S2; the other is to use the push button, POWER/BAND. S14 determines which method is in use.

S14:



# Si4827-DEMO

---

## Main Components:

U1: Silicon Laboratories Si4827 AM/FM/SW ATDD receiver

U2: Audio amplifier

U3: MCU

LCD: The digital display for tuning information

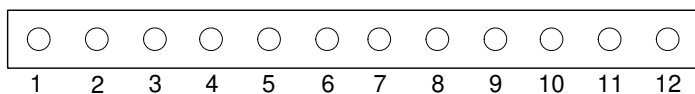
## Control Interface:

VR1: Frequency tuning wheel.

VR2: Volume control wheel

S3~S10: The keypad for human interface

S2: Band switch for FM, AM, and SW



Band definition for the slide switch is as below:

1: FM1 (W 64–108 MHz) (N 87–108 MHz), De-emphasis = 75  $\mu$ s, ST indication = 6 dB separation@20 dB $\mu$ V

2: FM5 (W 76–108 MHz) (N 64–87 MHz), De-emphasis = 75  $\mu$ s, ST indication = 6 dB separation@20 dB $\mu$ V

3: AM1 (520–1710 kHz), 10 kHz spacing

4: AM2 (522–1620 kHz), 9 kHz spacing

5:SW1 (W 3.2–7.6 MHz) (N 5.6–6.4 MHz)

6:SW3 (W 3.2–10.0 MHz) (N 6.8–7.6 MHz)

7:SW5 (W 5.9–18.0 MHz) (N 9.2–10.0 MHz)

8:SW7 (W 7.0–16.0 MHz) (N 11.45–12.25 MHz)

9:SW9 (W 7.0–23.0 MHz) (N 13.4–14.2 MHz)

10:SW11 (W 9.0–22.0 MHz) (N 15–15.9 MHz)

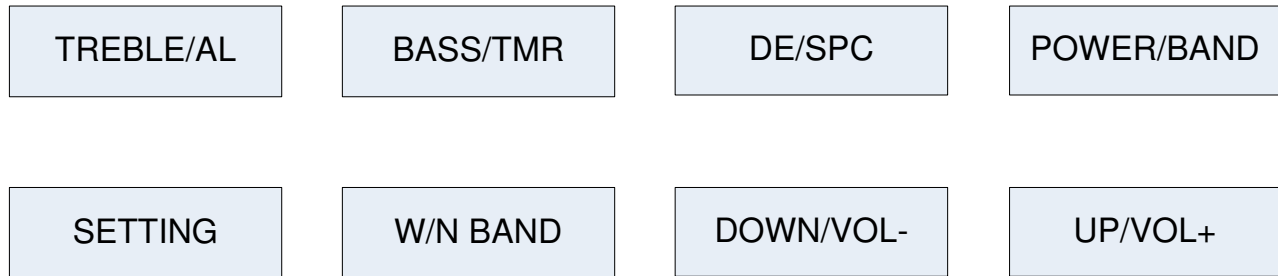
11:SW13 (W 9.5–18.0 MHz) (N 17.1–18 MHz)

12:SW15 (W 10.0–22.0 MHz) (N 21.2–22 MHz)

**Note:** N = SW Narrow-band, W = SW Wideband

## Human Interface:

There are 8 keys for controlling the DEMO board as shown below.



Each key can have a different function under each operating condition:

- **Time mode:** Radio function is disabled. LCD displays time. Buttons can be used to set time, alarm, etc.
- **FM/AM/SW radio mode:** Tuner IC works in power up mode. Radio function is enabled. LCD displays the radio station parameters. Buttons are used to adjust radio settings.

The functions of the buttons are summarized in Table 1.

The FM/AM/SW radio parameters which can be configured are listed below in Table 2.

**Table 1. Key Function Description**

Button/Mode		Time Mode	FM/AM/SW Radio Mode
		Tuner Off	Tuner On
POWER/BAND	Hold Time: < 1s	None	Change between FM, AM, and SW (2 FM band, 2 AM band, and 8 SW bands)
	Hold Time: > 1s	Enable radio	Disable radio function and enter time mode. (Radio parameters will be saved to MCU)
DE/SPC		None	FM mode: Change De-emphasis, between 50 $\mu$ s and 75 $\mu$ s.
			AM mode: Change channel space, between 9 kHz and 10 kHz.
BASS/TMR		Enter or quit time setting menu.	Decrease Bass/Treble level by 1 step.
TREBLE/AL		Enable or disable the alarm function; enter or quit alarm setting menu.	Increase Bass/Treble level by 1 step.
UP/VOL+	Hold Time: < 1s	In setting menu, change the current time/alarm parameter by one unit per each press.	In radio setting menu, change the current parameter by one unit per each press. In radio working mode, increase volume 1 step per each press.
	Hold Time: > 1s	In setting menu, change the current time/alarm parameter automatically.	In radio setting menu, change the current parameter automatically. In radio working mode, increase volume level automatically until to maximum.

**Table 1. Key Function Description**

Button/Mode		Time Mode	FM/AM/SW Radio Mode
		Tuner Off	Tuner On
DOWN/VOL-	Hold Time: < 1s	In setting menu, change the current time/alarm parameter by one unit per each press.	In radio setting menu, change the current parameter by one unit per each press. In radio working mode, decrease volume 1 step per each press.
	Hold Time: > 1s	In setting menu, change the current time/alarm parameter automatically.	In radio setting menu, change the current parameter automatically. In radio working mode, decrease volume level automatically until to minimum.
W/N BAND		None	FM/SW mode: change band range between wideband and narrow-band.
SETTING	Hold Time: < 1s	None	In radio setting menu, change the current item by one step per each press
	Hold Time: > 1s	None	Quickly return to FM working mode.

Table 2. Radio Configuration Parameters

FM Parameter	AM Parameter	SW Parameter
Bass/Treble: 0-8 Default: 4	Bass/Treble: 1-7 Default: 3	Bass/Treble: 1-7 Default: 3
Digital volume: 0-63 Default: 63	Digital volume: 0-63 Default: 63	Digital volume: 0-63 Default: 63
Band top: max 109 MHz Default: 108/108 MHz for wide band FM1/FM2	Band top: max 1750 kHz Default: 1710 kHz	Band top: max 28.5 MHz Default: 7.6/10.0/18.0/16.0/23.0/22.0/18.0/22.0 MHz for wideband SW1 to SW8 respectively.
Band bottom: min 64 MHz Default: 64/76 MHz for wide band FM1/FM2	Band bottom: min 504 kHz Default: 522 kHz	Band bottom: min 2.3 MHz Default: 3.2/3.2/5.9/7.0/7.0/9.0/9.5/10.0 MHz for wideband SW1 to SW8 respectively.
De-emphasis: 50 or 75 $\mu$ s Default: 75 $\mu$ s	Channel space: 9 or 10 kHz Default: 9 kHz	
Tone/VOL mode: a-d Default: d		
Tuning preference: a-b Default: a		Tuning preference: a-b Default: a
<p><b>Notes:</b></p> <ol style="list-style-type: none"> <li>Tone/VOL mode has four modes: <ul style="list-style-type: none"> <li>Bass/treble mode: no digital volume control, fixed volume level at 59</li> <li>Digital volume mode: no bass/treble effect, volume levels from 0 to 63</li> <li>Mixed mode 1: bass/treble &amp; digital volume coexist, volume levels from 0 to 63, scale to 0 ~59</li> <li>Mixed mode 2: bass/treble &amp; digital volume coexist, volume levels from 0 to 63</li> </ul> </li> <li>The Tuning preference of FM mode and SW mode has two preferences: <ul style="list-style-type: none"> <li>preference1: When tuning to adjacent channels, the volume level decreases by 2 dB.</li> <li>preference2: When tuning to adjacent channels, the volume level remains unchanged.</li> </ul> </li> <li>There is no tuning preference selection for AM mode.</li> </ol>		

## 4. Operation

The S4827-DEMO Board, a complete analog tune and digital display radio, provides two major modes of operation: Time mode and FM/AM/SW Radio mode.

### 4.1. Time Mode

Put two AAA batteries into the battery compartment; the board will automatically enter Time Mode and display the time. The DEMO board display in Time Mode is illustrated in Figure 1.

#### 4.1.1. Time Setting

The time default value is 00:00 and can be set to the correct time manually when needed.

1. In Time Mode, press the BASS/TMR button to enter the setting menu. The default is to set the minute item first. Press this button again to select the hour item. The selected item flashes.
2. While the selected item is flashing, press the DOWN/VOL- and UP/VOL+ button to set the desired time.
3. When you have finished setting the time, press the BASS/TMR button to quit the setting menu. The MCU automatically quits the setting menu if there is no operation within 2 seconds.

#### 4.1.2. Alarm Setting

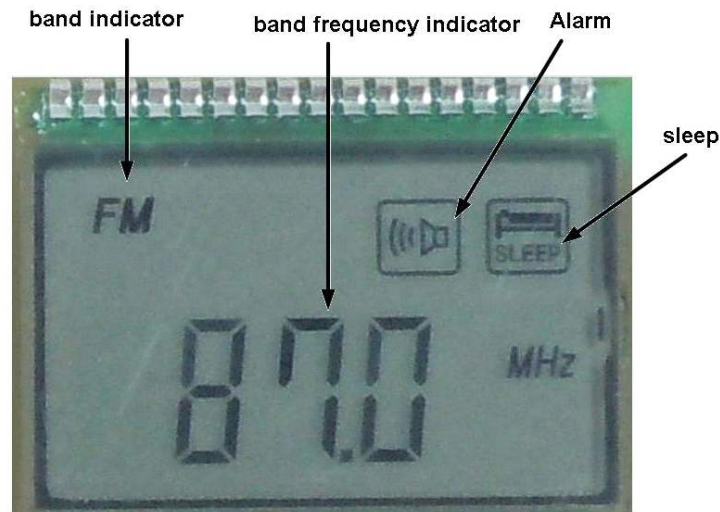
1. In Time Mode, press the TREBLE/AL button to enable or disable the alarm function, and enter the setting menu automatically when the alarm is enabled. Once you have entered the setting menu, the default is to set the minute item first. Press this button again to select the hour item. The selected item flashes.
2. While the selected item is flashing, press the DOWN/VOL- and UP/VOL+ button to set the desired time.
3. When you have finished the alarm setting, press the TREBLE/AL button to quit the setting menu. The MCU automatically quits the setting menu if there is no operation within 2 seconds.
4. If the alarm is enabled and the alarm setting time is matched, the radio will be automatically turned on after the buzzer sounds for 5 seconds.
5. The radio will be turned off and the DEMO board will go into sleep mode automatically if there is no operation on the buttons within 15 minutes; if there is any operation on the buttons, the auto-sleep function will be disabled. The radio keeps working throughout this time.



## 4.2. FM/AM/SW Radio Mode

In Time Mode, when a long press (hold time > 1s) on the POWER/BAND button or when the alarm time is reached, the device will enter FM/AM/SW Mode. The LCD displays the following information: band indicator, band frequency indicator, and sleep indicator in case radio is automatically turned on by the alarm.

The DEMO board display in FM/AM/SW Mode is illustrated in Figure 3.



**Figure 3. LCD display in FM Radio Mode**

The DEMO board provides two methods to select the radio band. One is to use the slide switch S2. The other is to use the POWER/BAND push button. S14 determines which method is in use.

The DEMO board uses the keyboard to configure the band property. Refer to Section "4.2.1. MCU Setting Band Property" for the operation details for setting the band property using the keypad.

To operate the DEMO board, follow these procedures:

1. According to the desired radio band selection method, set S14 to use slide switch or push button.
2. Hold the POWER/BAND button (hold time > 1s) or when the alarm time is reached, the device will enter FM/AM/SW Mode.
3. Use slide switch S2 or press the POWER/BAND push button to select the desired band.
4. Refer to Section "4.2.1. MCU Setting Band Property" or section "4.2.2. MCU Setting Radio Working Mode" to reconfigure the band property or radio working mode if necessary.
5. Rotate the tuning wheel and find the desired radio station with the help of the LCD display and/or tuning indicator D1.
6. Rotate the volume control wheel VR2 and/or press the DOWN/VOL- or UP/VOL+ button to get a comfortable volume. Press the BASS/TMR or TREBLE/AL button to get the desired bass/treble level.

**Note:** For FM listening, the earphone cable must be connected to the board when S12 is set to HP ANT or an external antenna must be connected to the BNC connector when S12 is set to BNC.

For AM listening, the ferrite antenna must be connected to the board and the S11 is set to Ferrite before turning on the radio or switching the band to AM.

# Si4827-DEMO

## 4.2.1. MCU Setting Band Property

The DEMO board enables the band property to be set by the MCU. The band property includes:

- Band top
- Band bottom
- De-emphasis (only for FM)
- Channel Space (only for AM)

The setting menu is illustrated in Figure 4.

To set the band properties, follow these steps:

1. Press the SETTING button to enter the setting menu and select the item to be set. The selected item flashes for 1 second, then automatically switches to its current value.
2. While the value is flashing, press the DOWN/VOL- or UP/VOL+ button to set the desired value within 3 seconds.
3. Repeat step 1 and 2 to finish setting the band properties.
4. When the Band properties are set, the MCU automatically quits setting the menu if there is no operation within 3 seconds.
5. In FM working mode, press the DE/SPC button to set the De-emphasis 50  $\mu$ s or 75  $\mu$ s.
6. In AM working mode, press the DE/SPC button to set the Channel Space 9 kHz or 10 kHz.

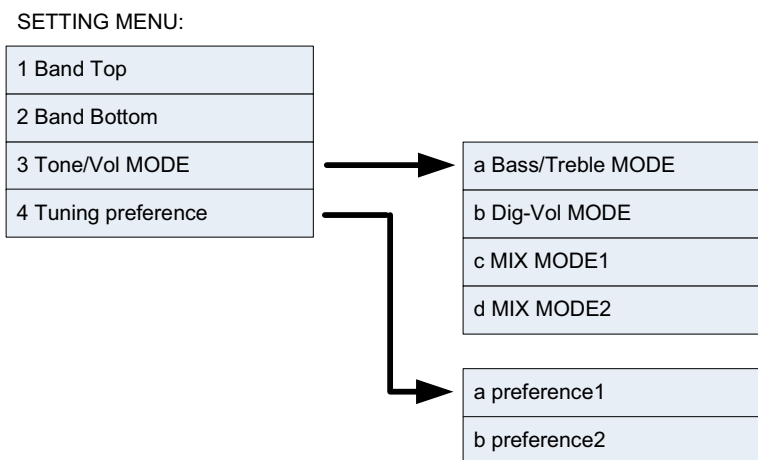


Figure 4. Setting Menu

## 4.2.2. MCU Setting Radio Working Mode

The host MCU can set the radio working mode

The working modes include:

- Tone/volume mode, item 3 in setting menu
- Tuning preference (only for FM and SW), item 4 in setting menu

To set radio working mode, follow these procedures:

1. Press the SETTING button to enter item 3. The LCD displays the item number st3 for 1 second, then automatically switches to its mode indication.
2. Press the DOWN/VOL- or UP/VOL+ button to select the desired mode within 3 seconds.
3. Repeat steps 1 and 2 to set the tuning preference by setting the item 4.
4. When the radio working mode is set, the MCU automatically quits setting the menu if there is no operation within 3 seconds.

## 5. Bill of Materials

- ATDD AM/FM/SW receiver IC Si4827 with external 32.768 kHz crystal oscillator support
- LM4910 Audio amplifier IC
- TM8723 MCU
- See Table 3 for details

**Table 3. Si4827-DEMO Board Bill of Materials Rev 1.1**

Item	Qty	Reference	Description	Value
1	12	C1-2 C6 C19 C24 C37-42 C44	CAP,SM,0603,X7R	0.1 $\mu$
2	2	C5 C36	CAP,SM,0603,X7R	0.47 $\mu$
3	2	C8 C10	CAP,SM,0603,COG	100 p
4	1	C33	CAP,SM,0603,COG	10 p
5	4	C28-29 C32 C35	CAP,SM,0603,COG	22 p
6	1	C11	CAP,SM,0603,COG	150 p
7	2	C30-31	CAP,SM,0603,X7R	33 n
8	1	C34	CAP,SM,0603,COG	33 p
9	1	C15	CAP,SM,0603,X7R	4.7 $\mu$
10	2	C4 C12	CAP,SM,0603,X7R	10.0 $\mu$
11	1	C13	CAP,SM,1210,X7R	47 $\mu$
12	1	C18	CAP,SM,0603,COG	330 p
13	2	C23 C27	CAP,SM,1210,X7R	220 $\mu$
14	2	C14 C25	Electrolytic capacitor	100 $\mu$ /4 V
15	1	C3	Electrolytic capacitor	220 $\mu$ /4 V
16	1	R25	RES,SM,0603	0 R
17	1	R27	RES,SM,0603	100 R
18	2	R5 R6	RES,SM,0603	2 k
19	1	R32	RES,SM,0603	10 R
20	1	R3	RES,SM,0603	10 k
21	1	R41	RES,SM,0603	120 k
22	1	R22	RES,SM,0603	12 k
23	2	R1-2	RES,SM,0603	1 M
24	2	R4 R31	RES,SM,0603	1 k
25	1	R24	RES,SM,0603	200 R
26	1	R13	RES,SM,0603	22 R
27	1	R16	RES,SM,0603	2.2 k
28	1	R46	RES,SM,0603	4.7 M
29	1	R20	RES,SM,0603	6.8 k
30	2	R21 R23	RES,SM,0603	NP

# Si4827-DEMO

**Table 3. Si4827-DEMO Board Bill of Materials Rev 1.1**

Item	Qty	Reference	Description	Value
31	1	R7	RES,SM,0603,Tolerance ±1%	10 k 1%
32	1	R29	RES,SM,0603,Tolerance ±1%	160 k 1%
33	9	R9-12 R14-15 R28 R33 R35	RES,SM,0603,Tolerance ±1%	20 k 1%
34	1	R43	RES,SM,0603,Tolerance ±1%	30 k 1%
35	1	R36	RES,SM,0603,Tolerance ±1%	33 k 1%
36	1	R8	RES,SM,0603,Tolerance ±1%	40 k 1%
37	1	R44	RES,SM,0603,Tolerance ±1%	47 k 1%
38	1	U1	SI4827-A SOIC16	Si4827-A
39	1	U2	LM4910MA,SO8	LM4910MA
40	1	U3	TM8795 44 PIN	TM8795 44 PIN
41	1	Q2	TRANSISTOR NPN SOT23	2N3904
42	1	Q1	TRANSISTOR NPN SOT23	2SC9018
43	1	Q3	TRANSISTOR NPN SOT23	2N3906
44	2	D2 D4	DIODE,SM,ESD,SOT23	BAV99
45	3	B4 B5 B6	FERRITE BEAD,SM,0603	2.5 k/100 M
46	1	B1	FERRITE BEAD,SM,0603	NP
47	1	BZ1	BUZZER	BUZZER
48	2	Y1-2	CRYSTAL	32.768 kHz
49	1	D1	LED	LED
50	1	D6	1N4148	1N4148
51	1	J5	Stereo earphone jack with switch	3.5 mm
52	1	L1	RES,SM,0603	0R
53	1	L2	IND,SM,0603	270 nH
54	1	L3	IND,SM,0603	120 nH
55	2	TP1 TP3	CONN,TH,1x2,HDR	CONN,TH,1x2,HDR
56	1	LCD1	LCD	LCD
57	1	J1	BNC VERTICAL	BNC for FM testing
58	1	J6	SMA VERTICAL	SMA for AM testing
59	1	ANT1	AW ferrite stick antenna	220 µH
60	1	BAT1	BATTERY BOX ,AAA*2 SIZE	
61	3	S11 S12 S14	One pole two throw switch	
62	1	S2	Single pole twelve throw switch	
63	9	S1 S3-10	Push button	
64	1	VR1	100 k,±10%,Variable resistor(POT)	100 k
65	1	VR2	10 k,±20%,Variable resistor(POT)	10k

## 6. Schematics and Gerber

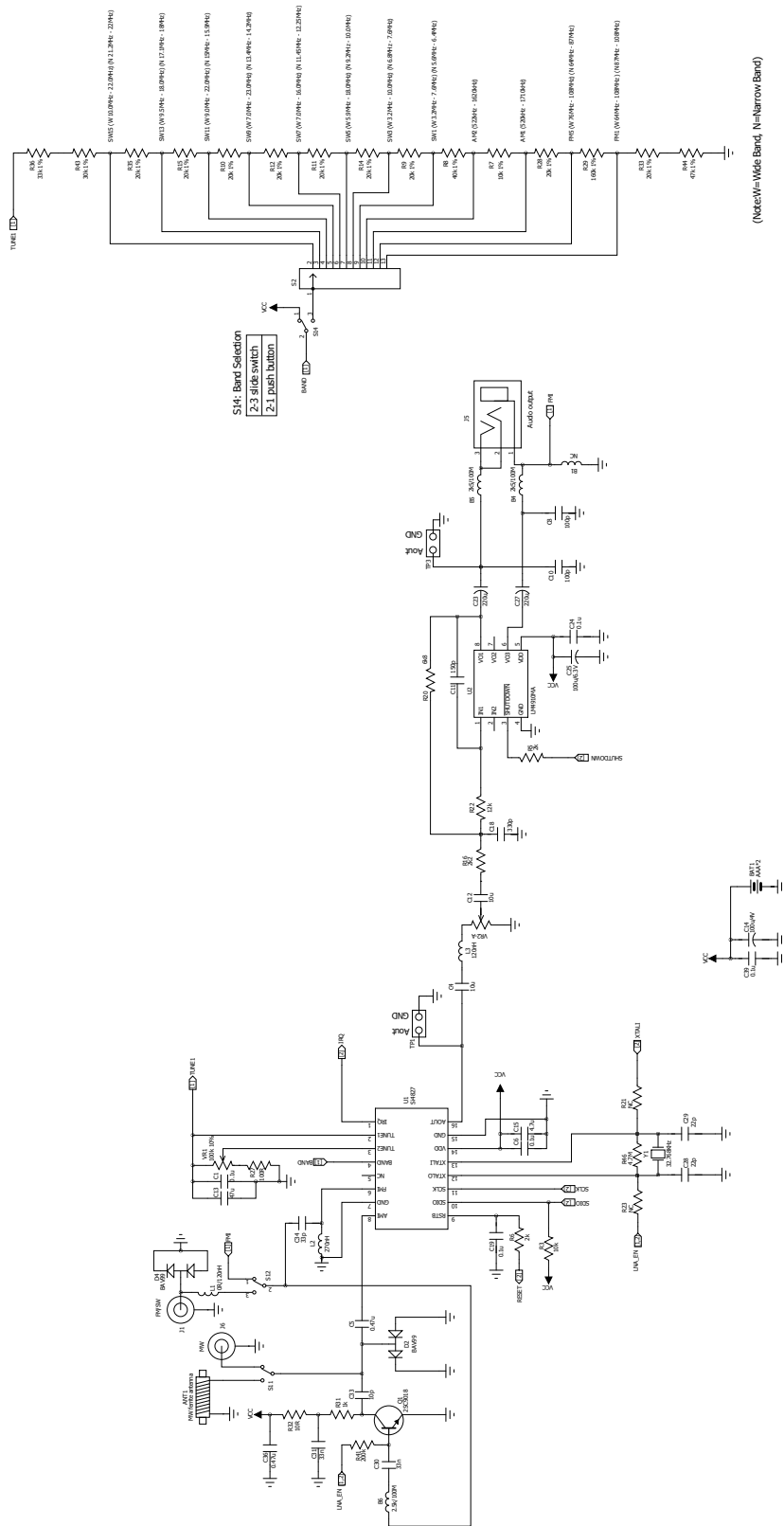


Figure 5. Si4827-DEMO Board Rev 1.1 Schematic (1 of 2)

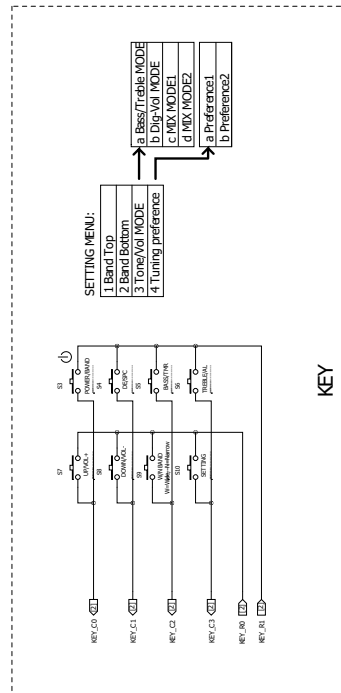
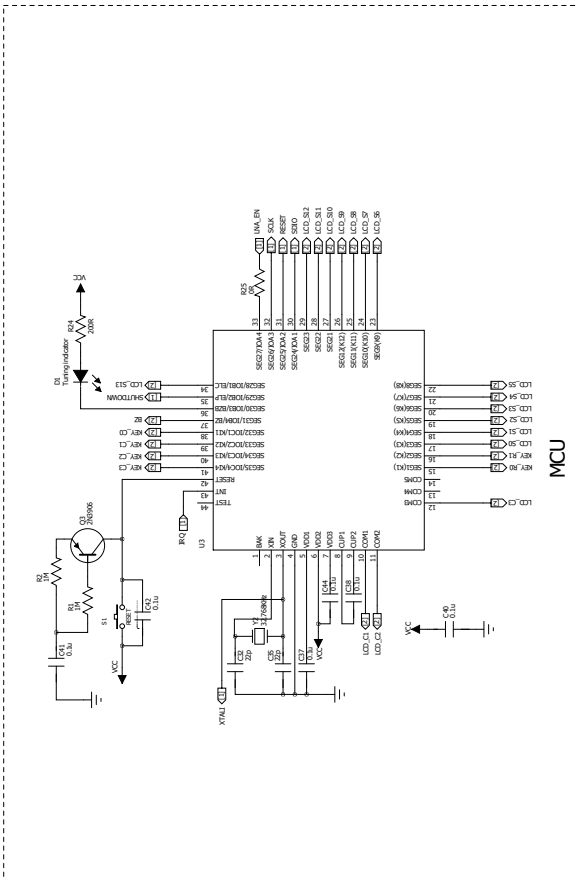
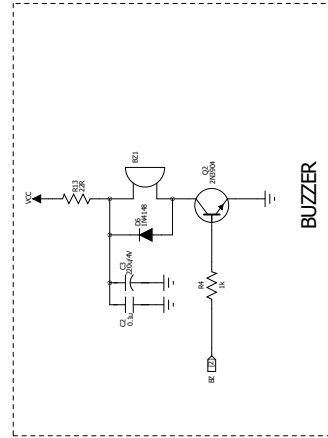
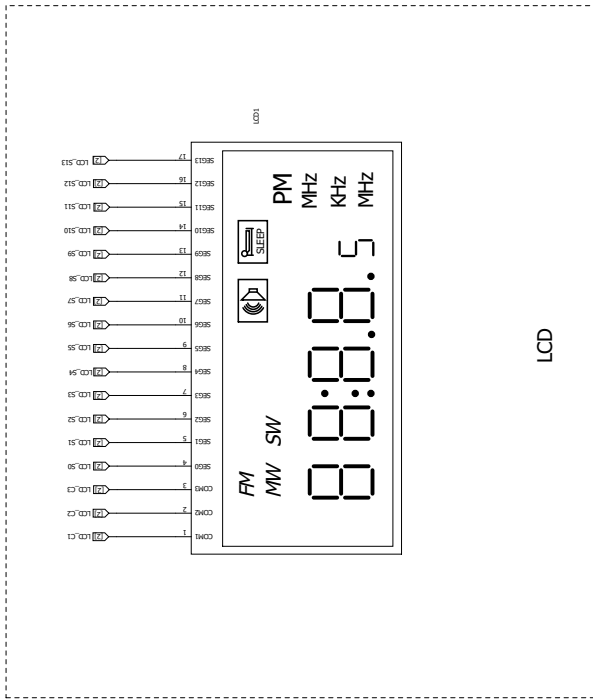


Figure 6. Si4827-DEMO Board Schematic Rev 1.1 (2 of 2)

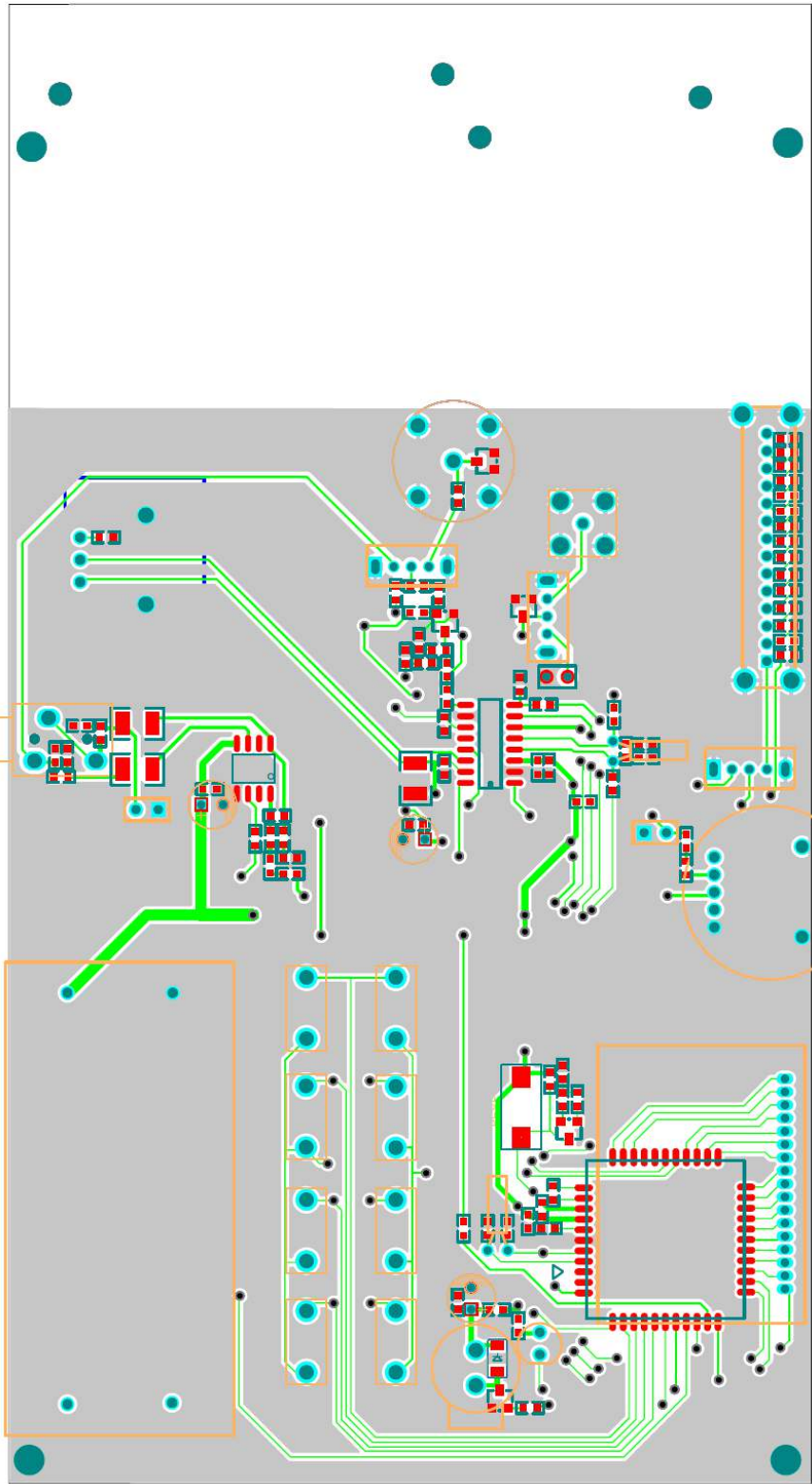
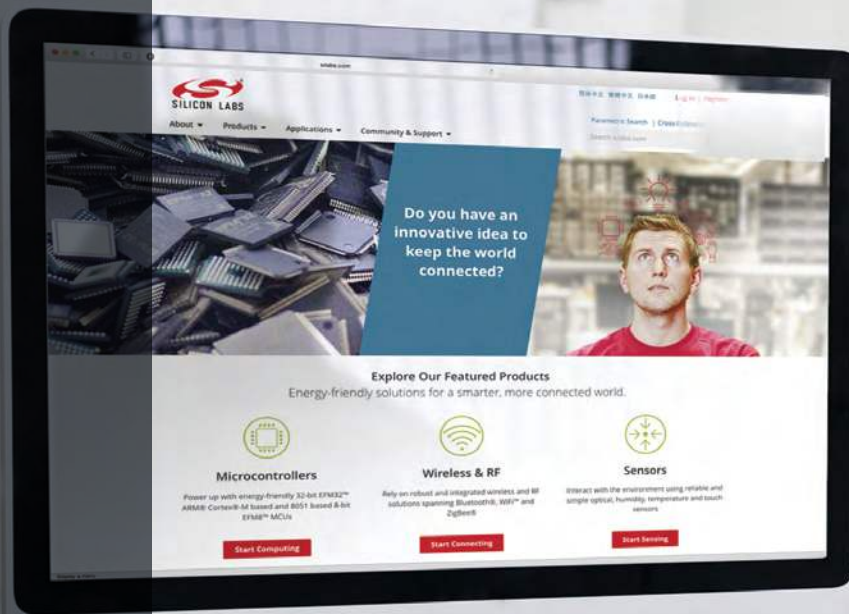


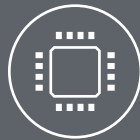
Figure 7. Si4827-DEMO Board Gerber Rev 1.1



Smart.  
Connected.  
Energy-Friendly



**Products**  
[www.silabs.com/products](http://www.silabs.com/products)



**Quality**  
[www.silabs.com/quality](http://www.silabs.com/quality)



**Support and Community**  
[community.silabs.com](http://community.silabs.com)

#### Disclaimer

Silicon Laboratories intends to provide customers with the latest, accurate, and in-depth documentation of all peripherals and modules available for system and software implementers using or intending to use the Silicon Laboratories products. Characterization data, available modules and peripherals, memory sizes and memory addresses refer to each specific device, and "Typical" parameters provided can and do vary in different applications. Application examples described herein are for illustrative purposes only. Silicon Laboratories reserves the right to make changes without further notice and limitation to product information, specifications, and descriptions herein, and does not give warranties as to the accuracy or completeness of the included information. Silicon Laboratories shall have no liability for the consequences of use of the information supplied herein. This document does not imply or express copyright licenses granted hereunder to design or fabricate any integrated circuits. The products must not be used within any Life Support System without the specific written consent of Silicon Laboratories. A "Life Support System" is any product or system intended to support or sustain life and/or health, which, if it fails, can be reasonably expected to result in significant personal injury or death. Silicon Laboratories products are generally not intended for military applications. Silicon Laboratories products shall under no circumstances be used in weapons of mass destruction including (but not limited to) nuclear, biological or chemical weapons, or missiles capable of delivering such weapons.

#### Trademark Information

Silicon Laboratories Inc., Silicon Laboratories, Silicon Labs, SiLabs and the Silicon Labs logo, CMEMS®, EFM, EFM32, EFR, Energy Micro, Energy Micro logo and combinations thereof, "the world's most energy friendly microcontrollers", Ember®, EZLink®, EZMac®, EZRadio®, EZRadioPRO®, DSPLL®, ISOmodem®, Precision32®, ProSLIC®, SiPHY®, USBXpress® and others are trademarks or registered trademarks of Silicon Laboratories Inc. ARM, CORTEX, Cortex-M3 and THUMB are trademarks or registered trademarks of ARM Holdings. Keil is a registered trademark of ARM Limited. All other products or brand names mentioned herein are trademarks of their respective holders.



**SILICON LABS**

Silicon Laboratories Inc.  
400 West Cesar Chavez  
Austin, TX 78701  
USA

<http://www.silabs.com>