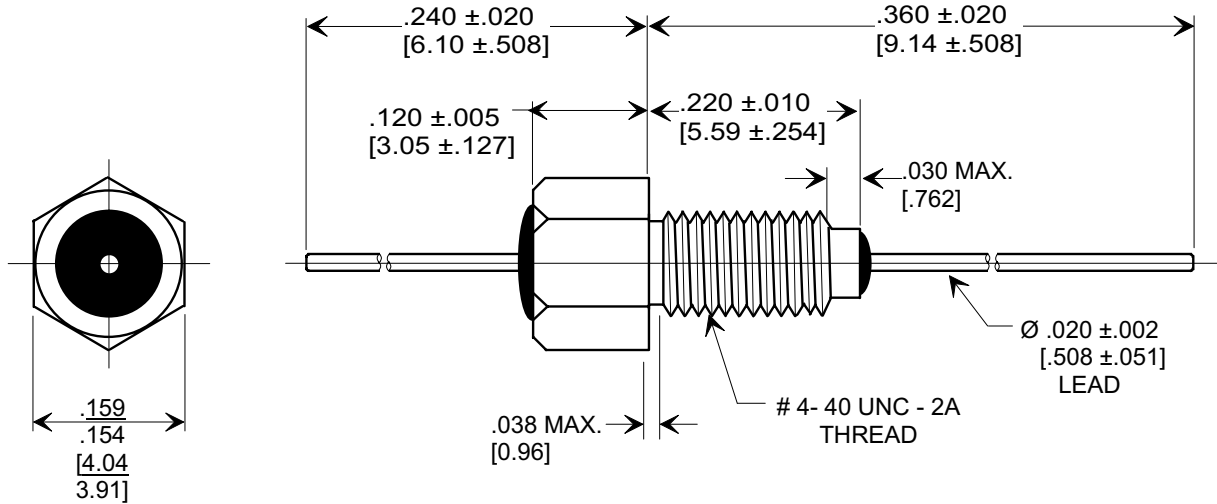
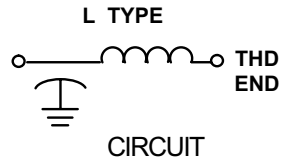
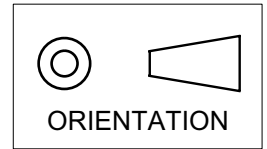


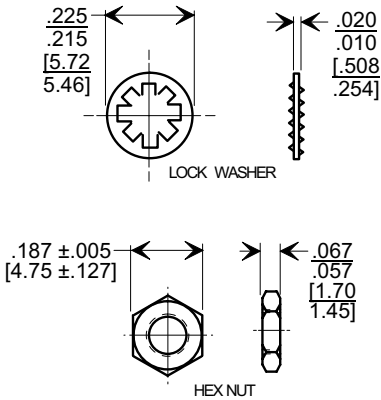
This drawing is the property of Tusonix, Inc., and may not be used, reproduced, published or disclosed to others without expressed authorization by Tusonix Inc.

Electrical Testing
per Tusonix standard
test plans and Mil-Std-202
Test Methods.

MARKETING SALES DRAWING
DIMENSIONS IN INCHES - DO NOT SCALE THIS DRAWING
DIMENSIONS IN METRIC - []



MOUNTING HARDWARE



NOTES:

1. TUSONIX STANDARD PART NUMBER: 4400-060.
TUSONIX RoHS COMPLIANT PART NUMBER: 4400-060 LF.
CUSTOMER MUST SPECIFY STANDARD OR RoHS PART NUMBER WHEN ORDERING.
2. MATERIALS: SILVER PLATED BUSHING, LEAD, AND MOUNTING HARDWARE.
3. PART MARKING: TRADEMARK AND VARIATION NUMBER ON HEX FLATS.
STANDARD PART: BLACK INK. RoHS PART: GREEN INK.
4. OPERATING TEMPERATURE RANGE: -55°C TO +125°C.
5. MAXIMUM RECOMMENDED SOLDERING TEMPERATURE: 260°C.
6. SUPPLIED WITH HEX NUT AND INTERNAL TOOTH LOCK WASHER.
7. MAXIMUM RECOMMENDED MOUNTING TORQUE, 2.0 lb-in [226 Nm].

CAP.(pf)	TOLERANCE	WORKING VOLTAGE DC		PEAK CURRENT (AMPS)	I.R. MIN. @ 100 (VDC)	DWV (VDC)	MIN. NO LOAD INSERTION LOSS (dB) @ 25°C PER MIL-STD-220				
		85°C	125°C				1 MHz	10 MHz	100 MHz	1 GHz	10 GHz
27,000	GMV	70	50	10	10 G Ω	150	10	28	45	65	70

X-2015 Rev-0	REVISION RECORD		Original Release C.O. 20000614-2-01 DIM. .038 WAS .030. S.M. 11-08-01 20011102-1-07 ADDED AND REVISED NOTES. ADDED IR & DWV S.M. 01-24-06 20060109-3-07	--TOLERANCES-- Unless Otherwise Specified		Title BUSHING STYLE EMI FILTER		
	0	1		DECIMAL ± NOTED	Drawn S.M. 06-14-00		Scale 5 X	
	14-2-01	1-07		ANGLES ±	Approved T.C. 06-14-00		A	
	2-01	3-07			TUSONIX TUCSON, ARIZONA		4400-060	