

TABLE OF CONTENTS	
SHEET NO.	SHEET DESCRIPTION
1	NOTES AND BOM
2	CONFIGURATIONS
3-4	KEY CONFIGURATIONS
5	BLADE SEALED ASSEMBLY
6	SYSTEM PACKAGING
7	BACKSHELL NOTES
8	BACKSHELL
9	BACKSHELL CONFIGURATIONS

NOTES: VALID UNLESS OTHERWISE SPECIFIED

1. GENERAL:
a. APPLICATION SPECIFICATION SEE: AS-33472-100
-CONTAINS: PRODUCT INTRODUCTION, PRODUCT SUMMARY, CONNECTOR ASSEMBLY, PACKAGING INFORMATION, CONNECTOR MATING, SERVICE INSTRUCTIONS, ELECTRICAL CONTINUITY CHECKING, CRIMPING, AND TROUBLESHOOTING.
-DESIGNED TO MATE WITH RECEPTACLE SEALED ASSEMBLY AS SPECIFIED IN THE MATING CONNECTOR DRAWINGS CHART.
*DENOTES DRAWINGS THAT CAN BE ACCESSED AT <http://ewcap.uscarteams.org/>.
-ASSEMBLY SHIPPED WITH PLR IN PRE-LOCK POSITION (SEE PLR PRE-LOCK VIEW SHEET 5).

b. PRODUCT SPECIFICATION SEE:
-STANDARD CONFIGURATION: PS-33472-000
-UL V0 CONFIGURATION: TBD
CONTAINS: PRODUCT INTRODUCTION, PRODUCT SUMMARY, RATINGS (CURRENT, TEMPERATURE, SEALING, AND FLAMMABILITY), TERMINALS, WIRE DIAMETER RANGE, PRODUCT VALIDATION, AND PRODUCT DEVIATIONS.

c. PACKAGING SPECIFICATION PER MOLEX DRAWING: PK-31300-635

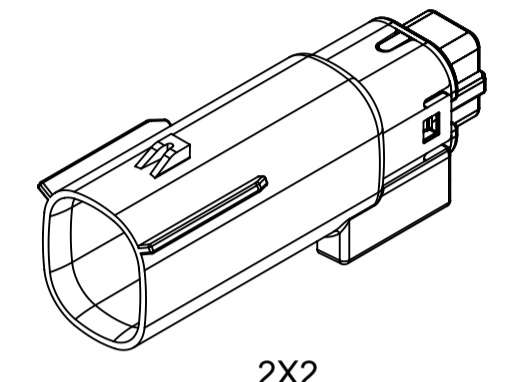
d. PARTS MUST BE IN COMPLIANCE TO MOLEX CHEMICAL SUBSTANCES FOR PRODUCTS AND PACKAGING SPECIFICATION: QEHS-699000-300

e. DATA MUST BE SUBMITTED UNDER THE MOLEX PART NUMBER TO IMDS (COMPANY ID#13255)

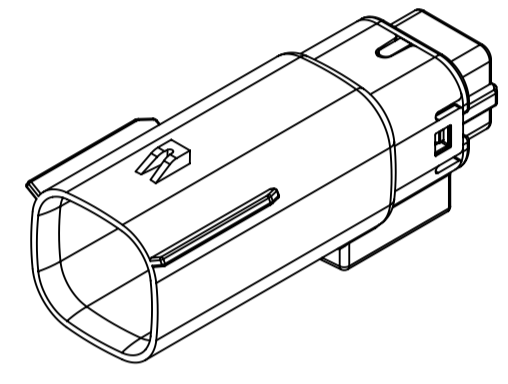
2. DESIGN - MATERIALS:
a. FOR BILL OF MATERIALS SEE:
-STANDARD CONFIGURATION: SD-33482-0002
-UL V0 CONFIGURATION: SD-160084-0002

3. DESIGN - GEOMETRY:
a. THE 3-D CAD DATA IS BASIC (WITHOUT TOLERANCE) AND MASTER FOR THIS PART WITH THE EXCEPTION OF UNDERLINED DIMENSIONS. DIMENSIONAL INFORMATION NOT SHOWN ON THIS DRAWING IS DEFINED BY THE DATA FILE AT ITS LATEST REVISION.
b. GEOMETRIC DIMENSIONS AND TOLERANCES PER ASME Y14.5M-2009
c. EDGES AND UNDIMENSIONED DETAILS PER ISO13715
d. CORNERS SHOWN AS SHARP TO BE R 0.2 MAX.
e. LETTERING SHALL BE 0.15 MAX RAISED IN 0.25 MAX RECESS PAD. THIS INCLUDES RECYCLING CODE, CAVITY ID, VENDOR IDENTIFICATION, AND CUSTOMER MATERIAL NUMBER.
f. VISUAL DEFECTS SHALL MEET COSMETIC STANDARD PS-45499-002 (Class B).
g. LASER MARKING:
1. PART NUMBER
2. DAY OF THE YEAR
3. SHIFT
4. YEAR
FOR ADDITIONAL INFORMATION SEE SECTION 5 UNDER PROCEDURES IN ES-34735-008.

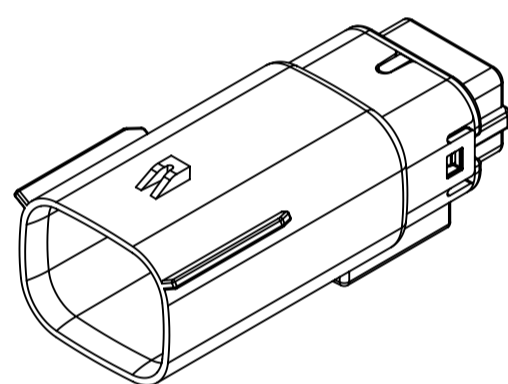
MATING CONNECTOR DRAWINGS	
DESCRIPTION	MOLEX INLINE
2X2	SD-33472-0001
2X3	SD-33472-0001
2X4	SD-33472-0001
2X6	SD-33472-0001
2X8	SD-33472-0001
2X10	SD-33472-0001



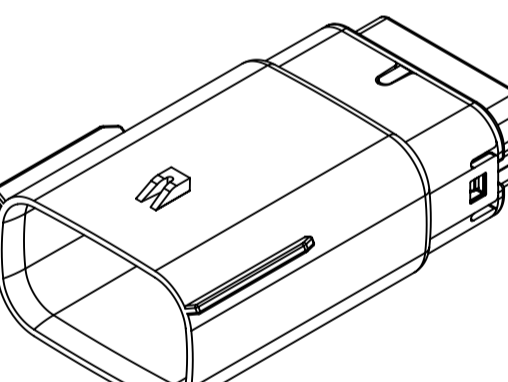
2X2



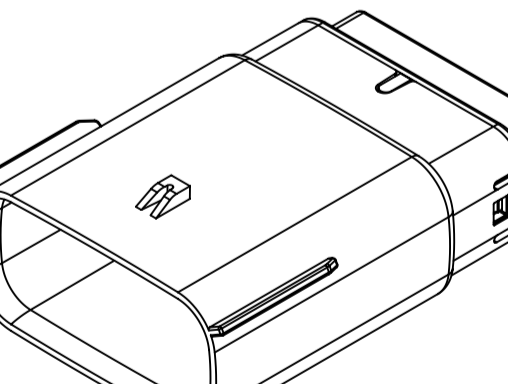
2X3



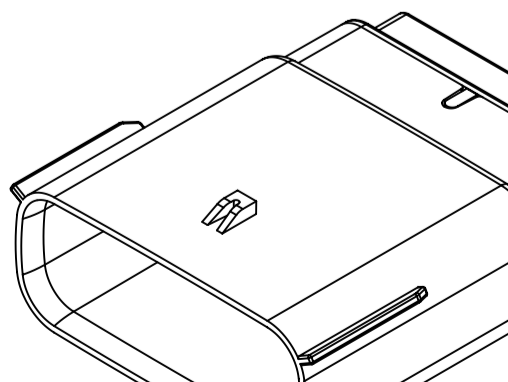
2X4



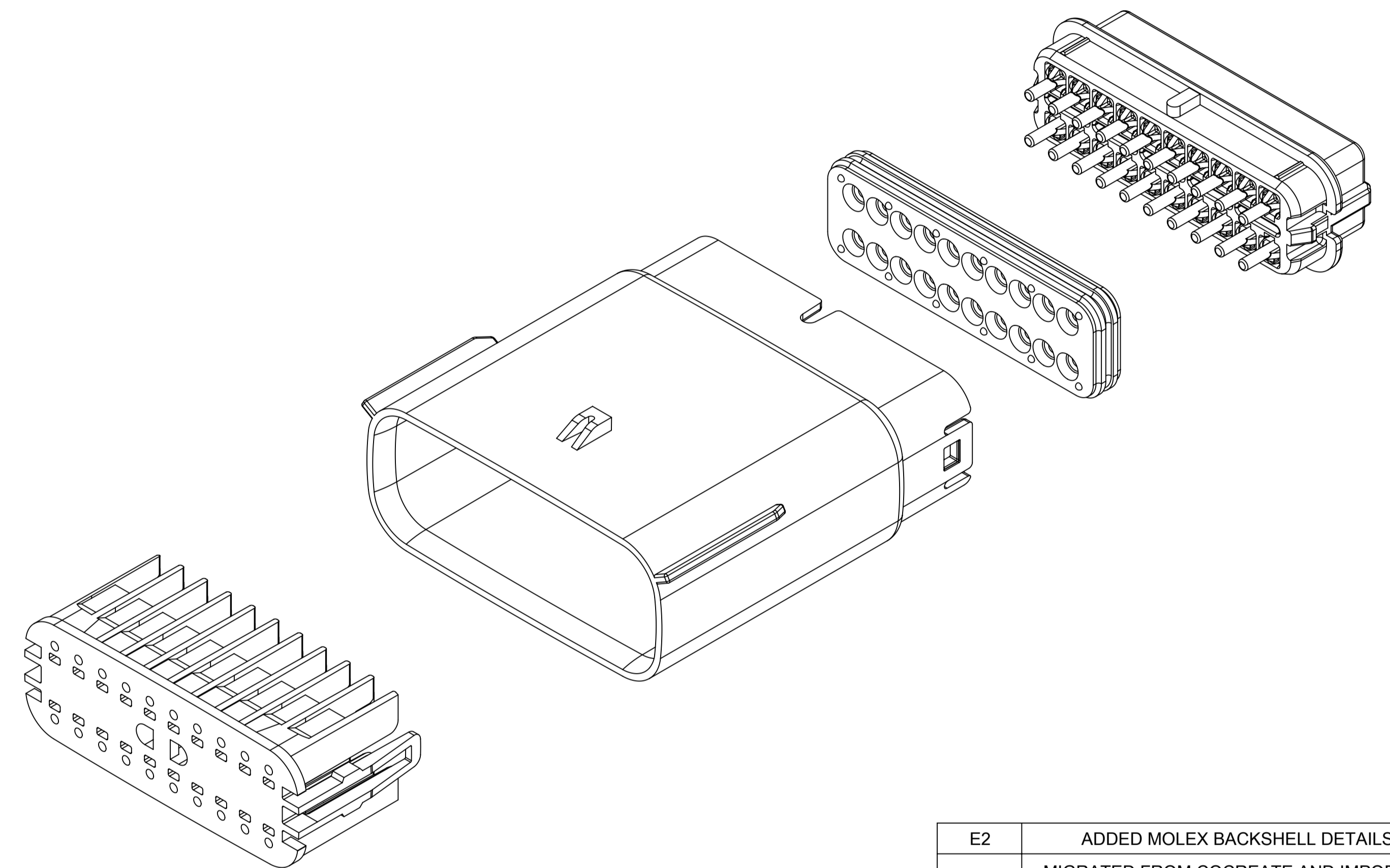
2X6



2X8



2X10

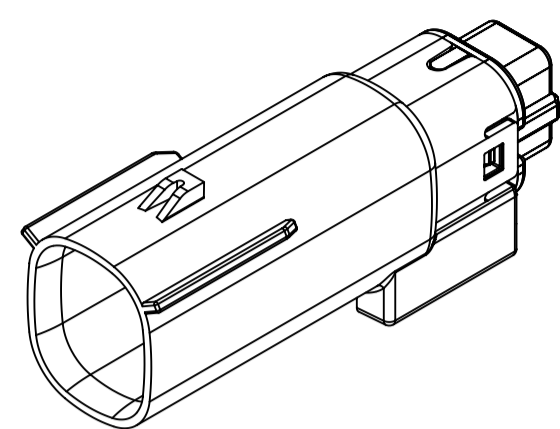


INSPECTION NUMBER LOG	
LAST NUMBER:	9
ADDED:	
REMOVED:	

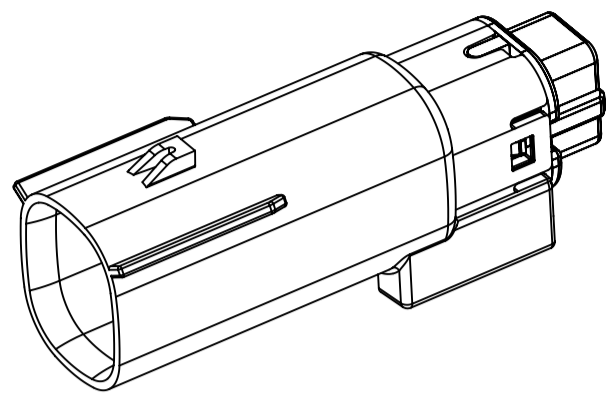
E2	ADDED MOLEX BACKSHELL DETAILS
E1	MIGRATED FROM COCREATE AND IMPORTED DXF FILES
E	ADDED CHARTED DIMENSIONS FOR 2X2, 2X4, 2X6 AND 2X8 WITH CLIPSLLOT
D	MINOR GEOMETRY CHANGE FOR UL V0
C3	ADD 2X4
C2	ADD 2X3
C1	ADD UL V0 CONFIGURATIONS
C	ADD 2X8
B1	ADD 2X6 BACKSHELL INFO
B	ADD 2X6
A	INITIAL RELEASE
REV	REV DESCRIPTION

SYMBOLS = 0 = 0 = 0 = 0 = 0 = 0 = 0 = 0 = 0 = 0	THIS DRAWING CONTAINS INFORMATION THAT IS PROPRIETARY TO MOLEX ELECTRONIC TECHNOLOGIES, LLC AND SHOULD NOT BE USED WITHOUT WRITTEN PERMISSION DIMENSION UNITS: mm SCALE: 1.5:1 GENERAL TOLERANCES (UNLESS SPECIFIED) ANGULAR TOL ± 1.0° 4 PLACES ± 3 PLACES ± 2 PLACES ± 0.1 1 PLACE ± 0.2 0 PLACES ± DRAFT WHERE APPLICABLE MUST REMAIN WITHIN DIMENSIONS	CURRENT REV DESC: EC NO: 171650 DRWN: PMANJUNATHAC 2018/01/03 CHK'D: MVANSLAMBROU 2018/02/16 APPR: MVANSLAMBROU 2018/02/16 INITIAL REVISION: DRWN: APROFFITT 2014/04/28 APPR: VKOSHY 2014/05/14	 MX150 BLADE DUAL ROW SEALED ASSEMBLY MAT SEAL PRODUCT CUSTOMER DRAWING	
	DOCUMENT NUMBER: SD-33482-0001 DOC TYPE: PSD DOC PART: 001 REVISION: E2	MATERIAL NUMBER: 33482 CUSTOMER: GENERAL MARKET SHEET NUMBER: 1 OF 11		
	THIRD ANGLE PROJECTION 	DRAWING: A1-SIZE SERIES: 33482		
	DOCUMENT STATUS: P1 RELEASE DATE: 2018/02/16 22:02:26			

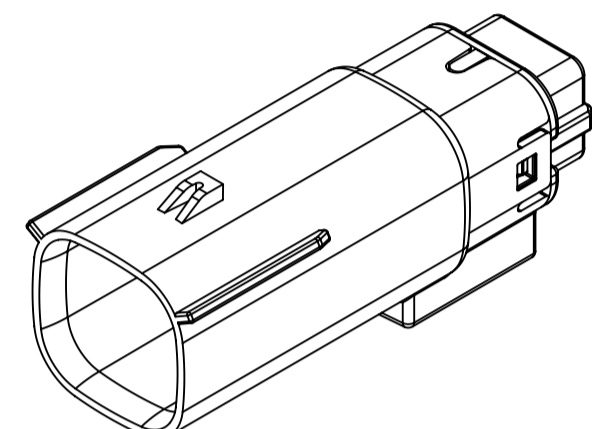
SHEET DESCRIPTION
CONFIGURATIONS



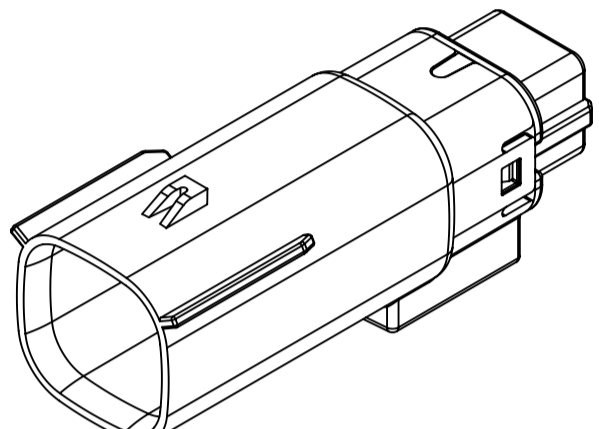
2X2 - STANDARD (STD)



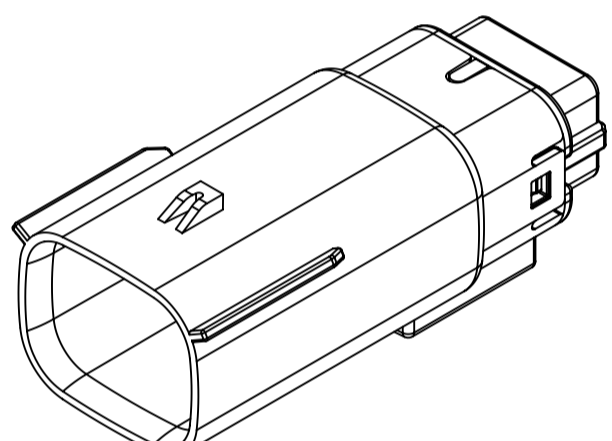
2X2 - UL V0*



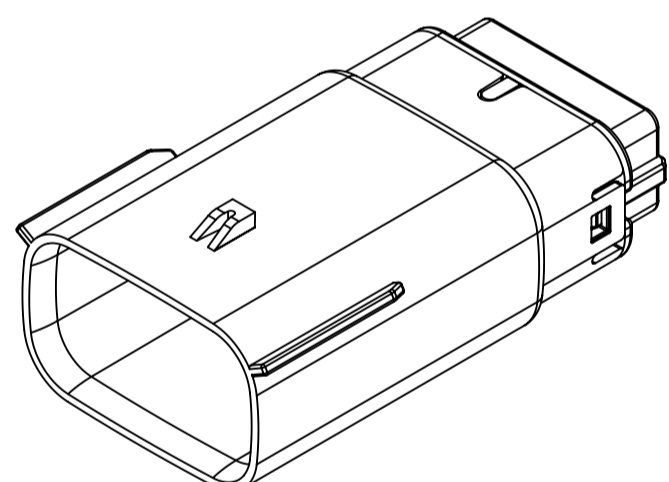
2X3 - STANDARD (STD)



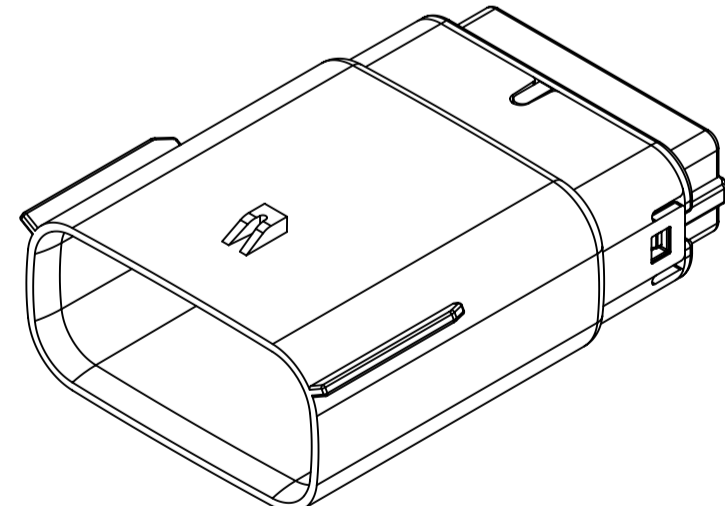
2X3 - LENGTHENED



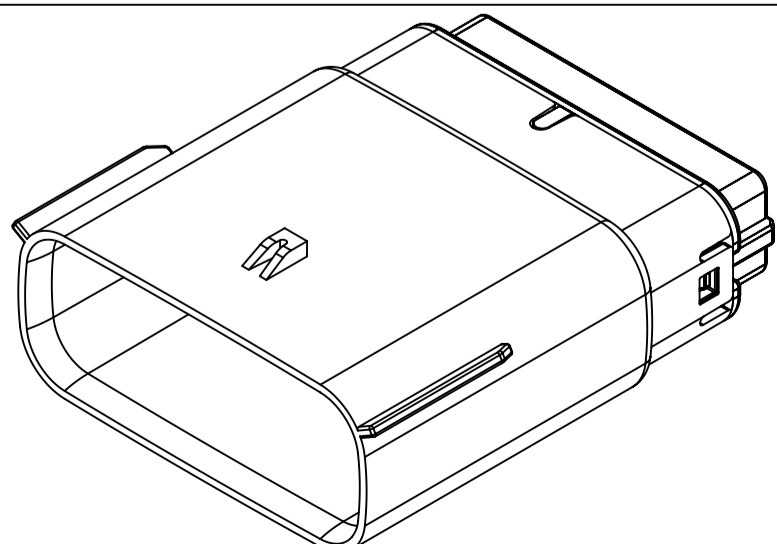
2X4 - STANDARD (STD)



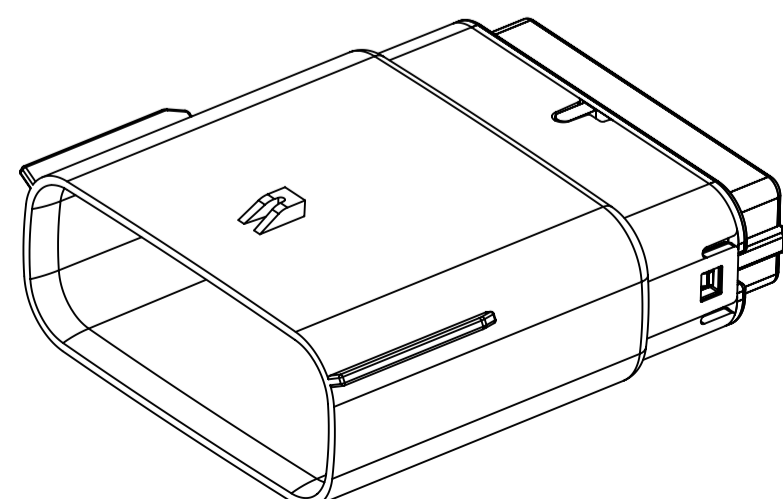
2X6 - STANDARD (STD)



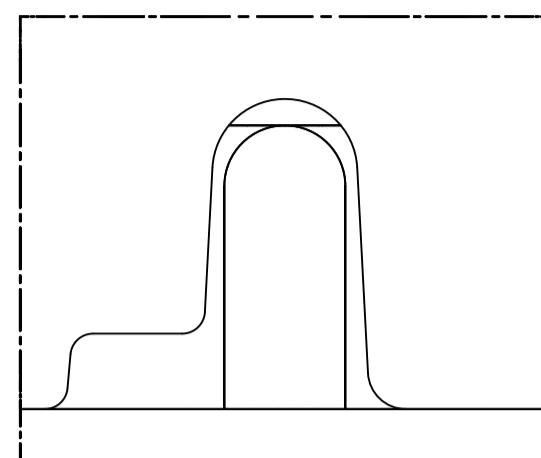
2X8 - STANDARD (STD)



2X10 - STANDARD (STD)



2X10 - UL V0*



UL V0 UNIQUE FEATURE

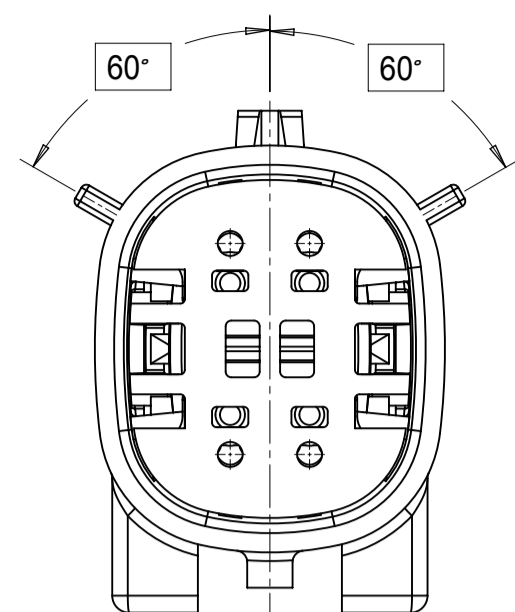
Partial1
SCALE 10:1

* MINOR GEOMETRY CHANGE THAN STANDARD CONFIGURATION.
SEE NOTE 2a FOR MORE INFORMATION

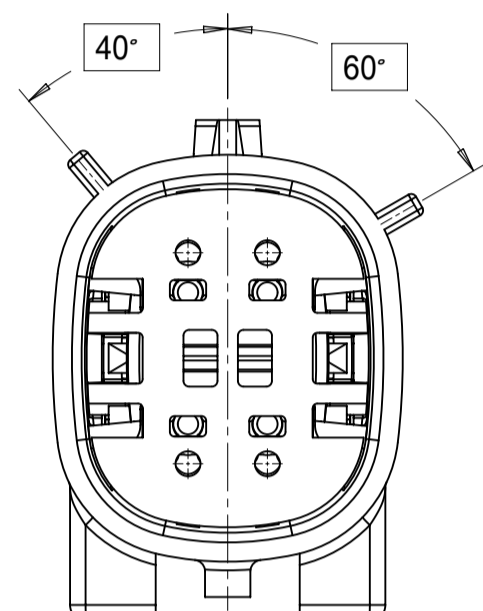
SYMBOLS	THIS DRAWING CONTAINS INFORMATION THAT IS PROPRIETARY TO MOLEX ELECTRONIC TECHNOLOGIES, LLC AND SHOULD NOT BE USED WITHOUT WRITTEN PERMISSION		CURRENT REV DESC:					
	DIMENSION UNITS	SCALE						EC NO: 171650
▽ = 0	mm	1.5:1	GENERAL TOLERANCES (UNLESS SPECIFIED)		INITIAL REVISION:			
▽ = 0	ANGULAR TOL ± 1.0°		4 PLACES ±		DRWN: APROFFITT 2014/04/28			
▽ = 0	3 PLACES ±		2 PLACES ± 0.1		APPR: VKOSHY 2014/05/14			
▽ = 0	2 PLACES ±		1 PLACE ± 0.2		MATERIAL NUMBER			
▽ = 0	0 PLACES ±		DRAFT WHERE APPLICABLE MUST REMAIN WITHIN DIMENSIONS		CUSTOMER			
▽ = 0	THIRD ANGLE PROJECTION		DRAWING		SERIES			
▽ = 0	MUST REMAIN WITHIN DIMENSIONS		A1-SIZE		33482			
DOCUMENT STATUS					P1		RELEASE DATE	
2018/02/16					22:02:26		SD-33482-0001	
PSD					001		E2	
GENERAL MARKET					2 OF 11			

SHEET DESCRIPTION
KEY CONFIGURATIONS

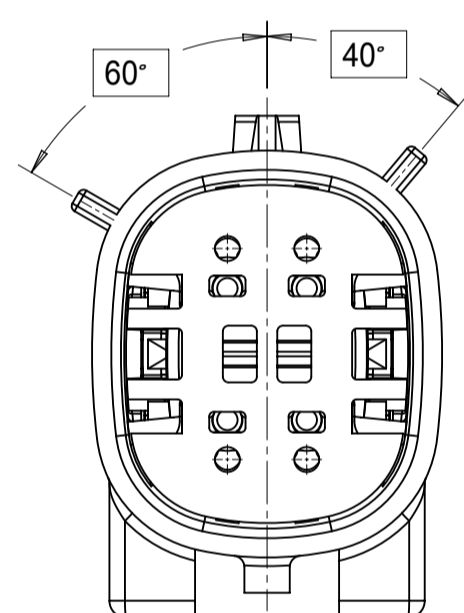
2X2



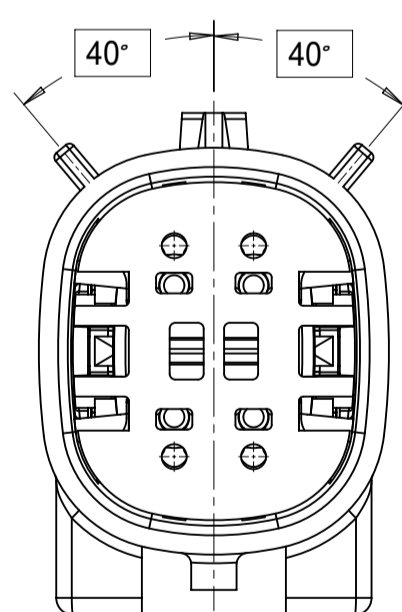
KEY A



KEY B

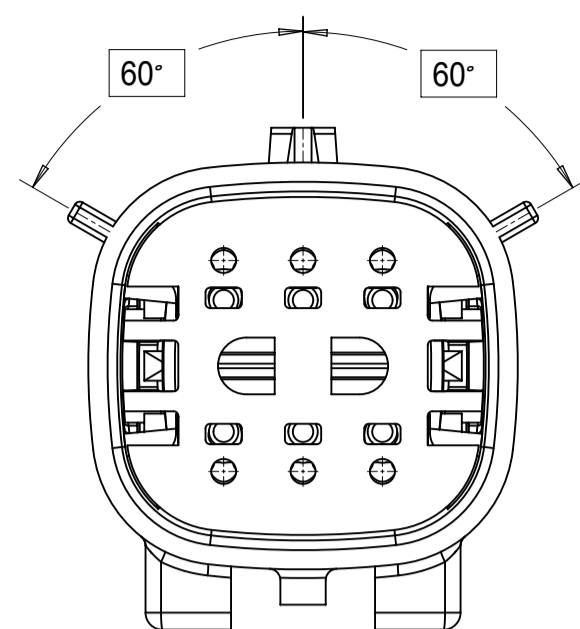


KEY C

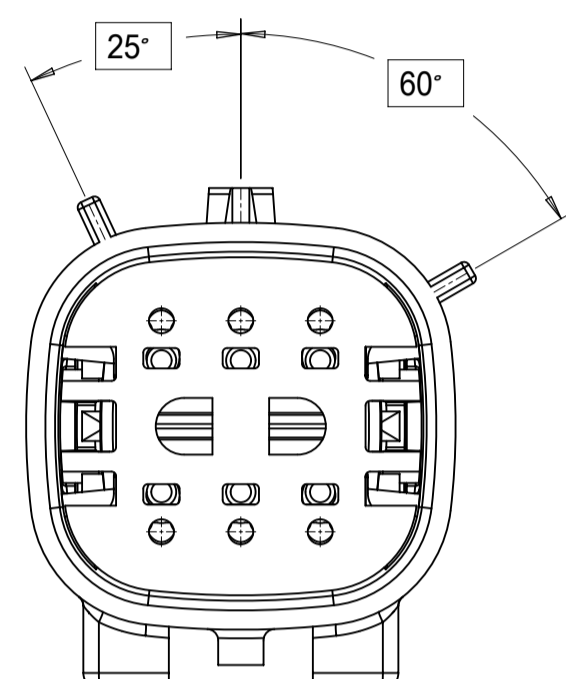


KEY D

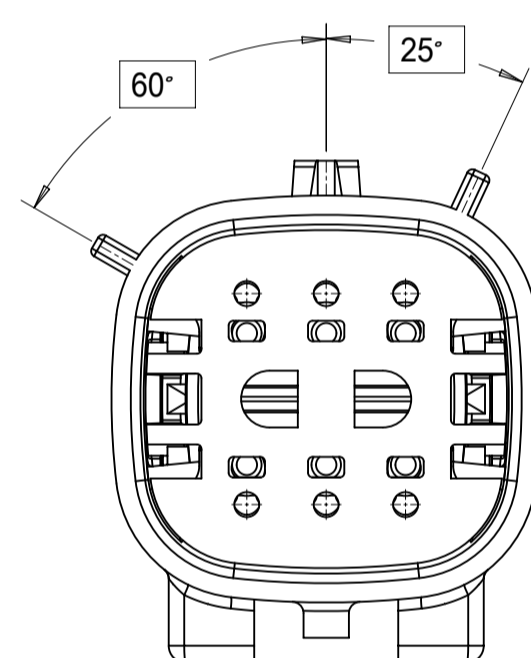
2X3



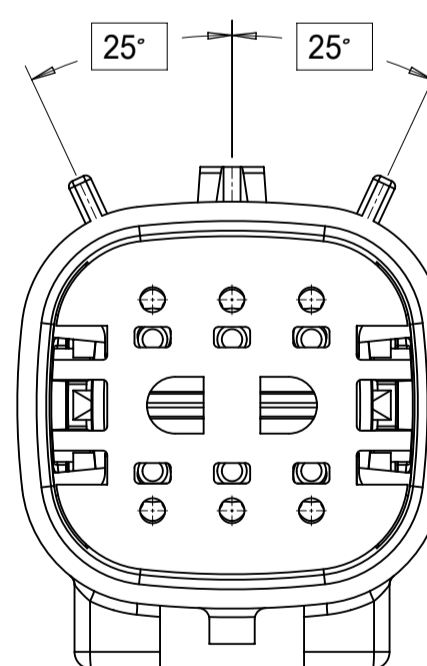
KEY A



KEY B

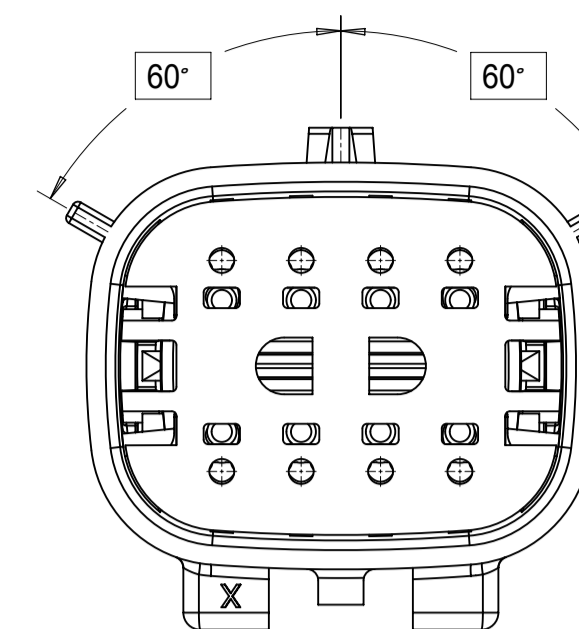


KEY C

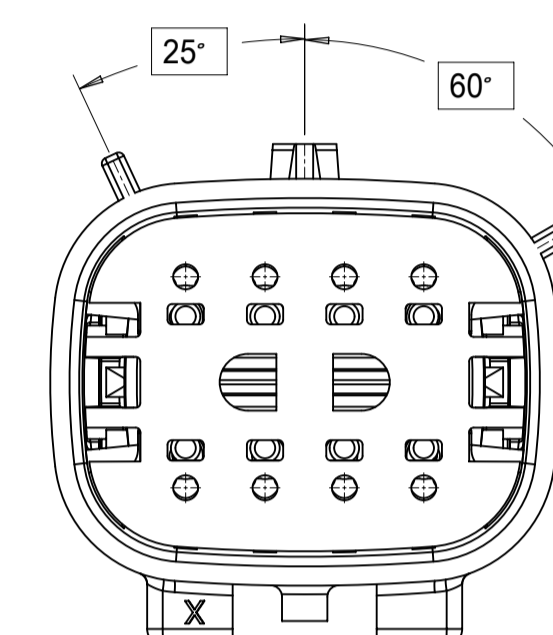


KEY D

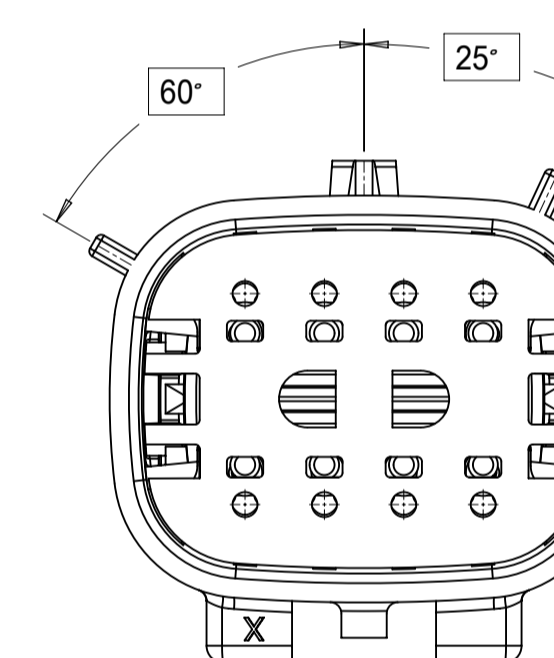
2X4



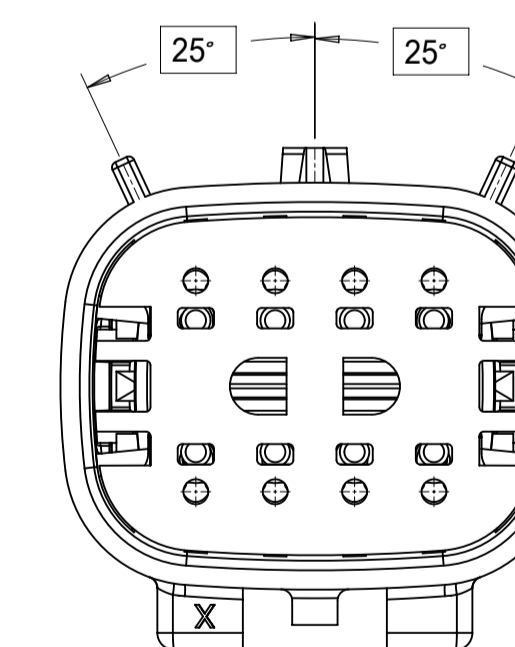
KEY A



KEY B



KEY C

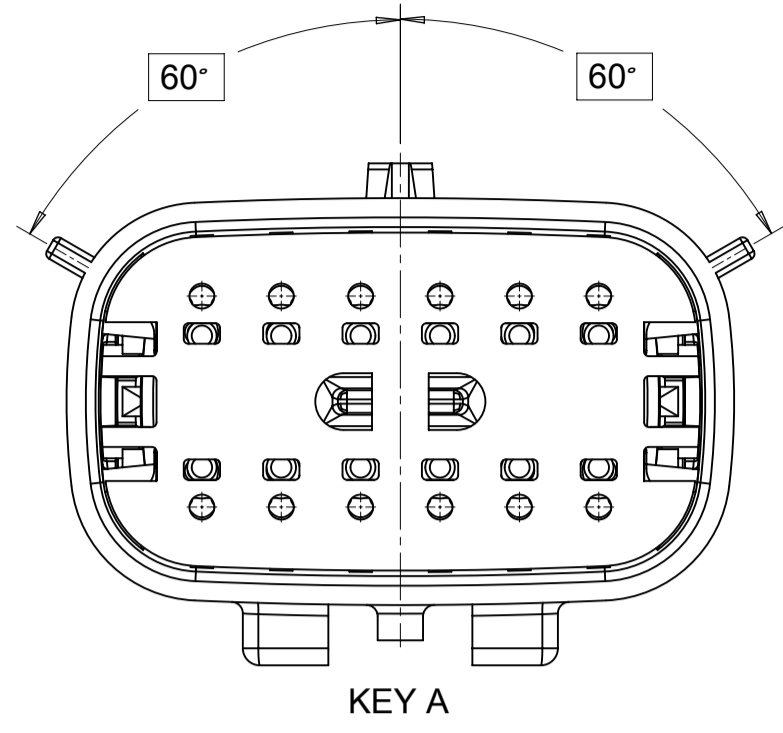


KEY D

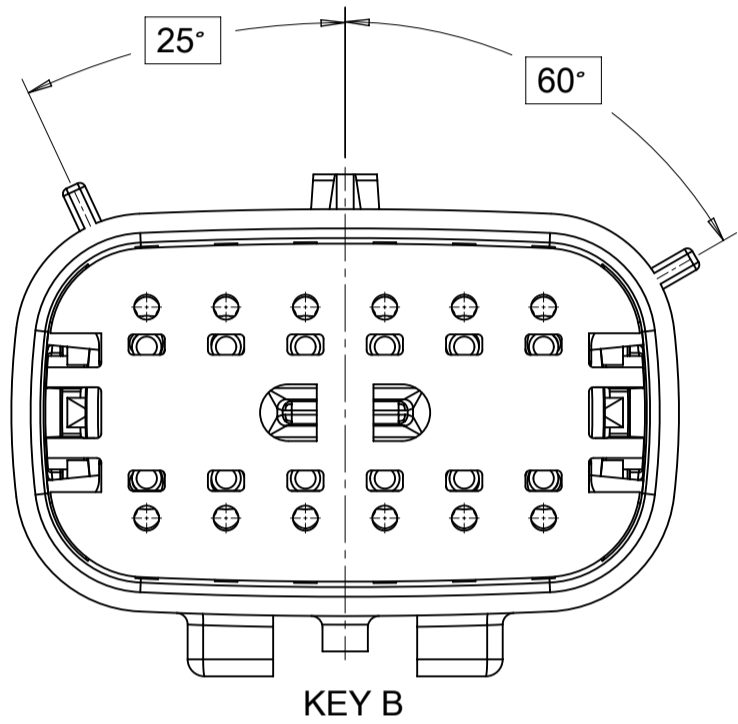
SYMBOLS = 0 = 0 = 0 = 0 = 0 = 0 = 0 = 0 = 0 = 0 = 0	THIS DRAWING CONTAINS INFORMATION THAT IS PROPRIETARY TO MOLEX ELECTRONIC TECHNOLOGIES, LLC AND SHOULD NOT BE USED WITHOUT WRITTEN PERMISSION DIMENSION UNITS: mm SCALE: 3:1	CURRENT REV DESC: EC NO: 171650 DRWN: PMANJUNATHAC 2018/01/03 CHK'D: MVANSLAMBROU 2018/02/16 APPR: MVANSLAMBROU 2018/02/16	 MX150 BLADE DUAL ROW SEALED ASSEMBLY MAT SEAL		
	GENERAL TOLERANCES (UNLESS SPECIFIED) ANGULAR TOL ± 1.0° 4 PLACES ± 3 PLACES ± 2 PLACES ± 0.1 1 PLACE ± 0.2 0 PLACES ±	INITIAL REVISION: DRWN: APROFFITT 2014/04/28 2014/05/14 APPR: VKOSHY			
DRAFT WHERE APPLICABLE MUST REMAIN WITHIN DIMENSIONS	THIRD ANGLE PROJECTION 	DRAWING: A1-SIZE SERIES: 33482	MATERIAL NUMBER CUSTOMER: GENERAL MARKET	SHEET NUMBER 3 OF 11	

SHEET DESCRIPTION
KEY CONFIGURATIONS CONT.

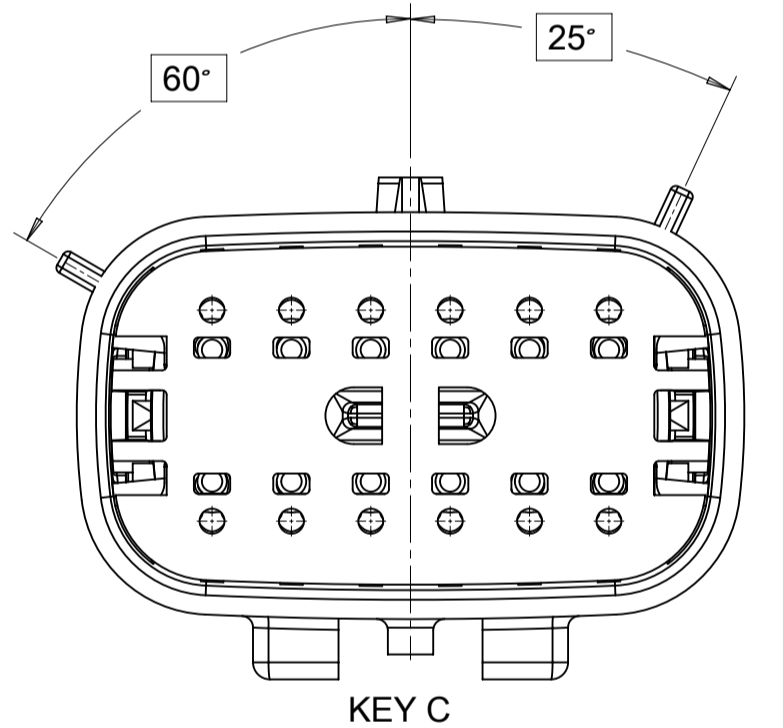
2X6



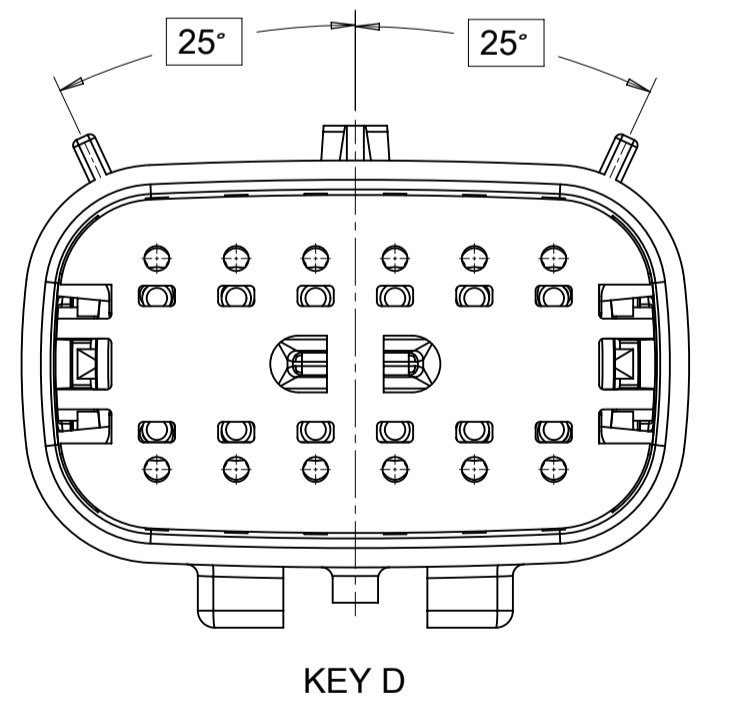
KEY A



KEY B

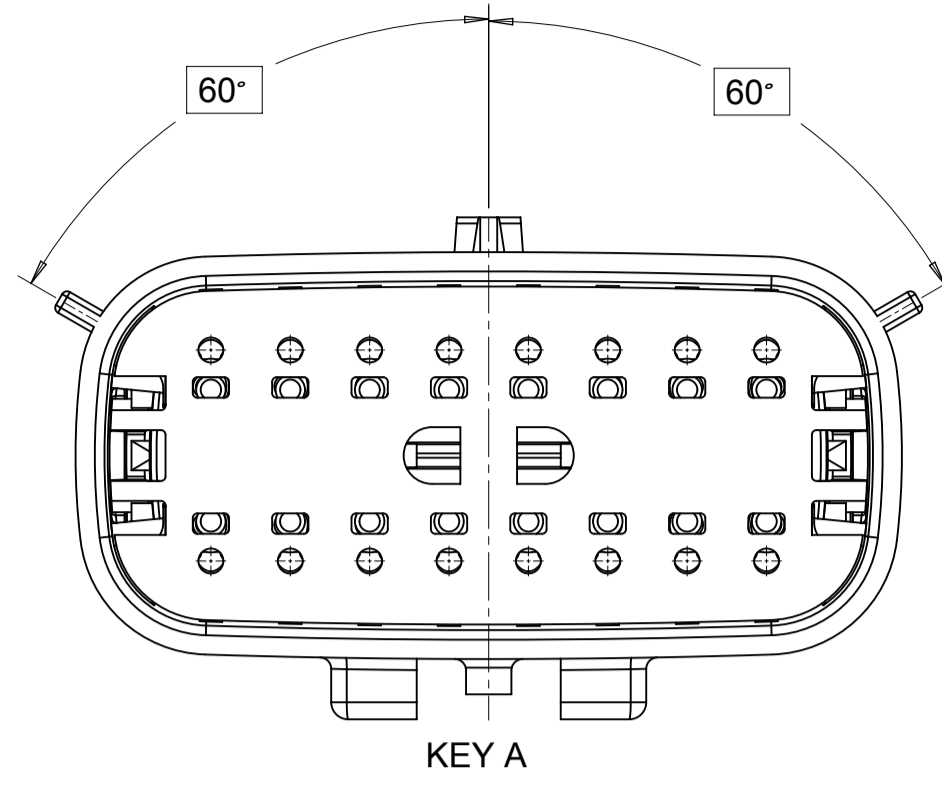


KEY C

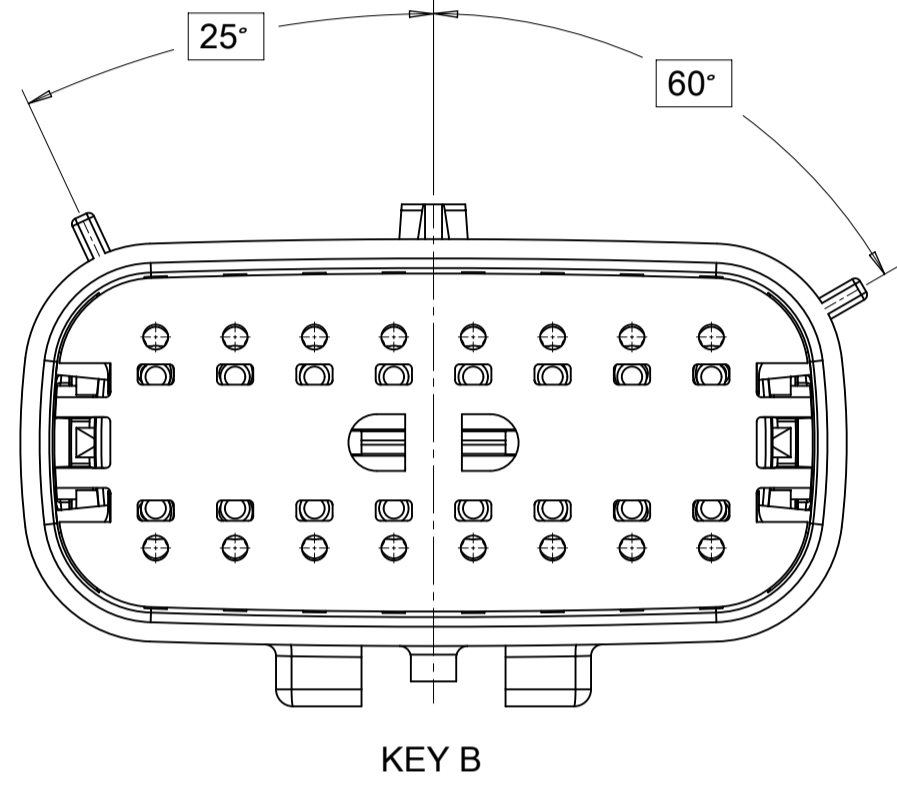


KEY D

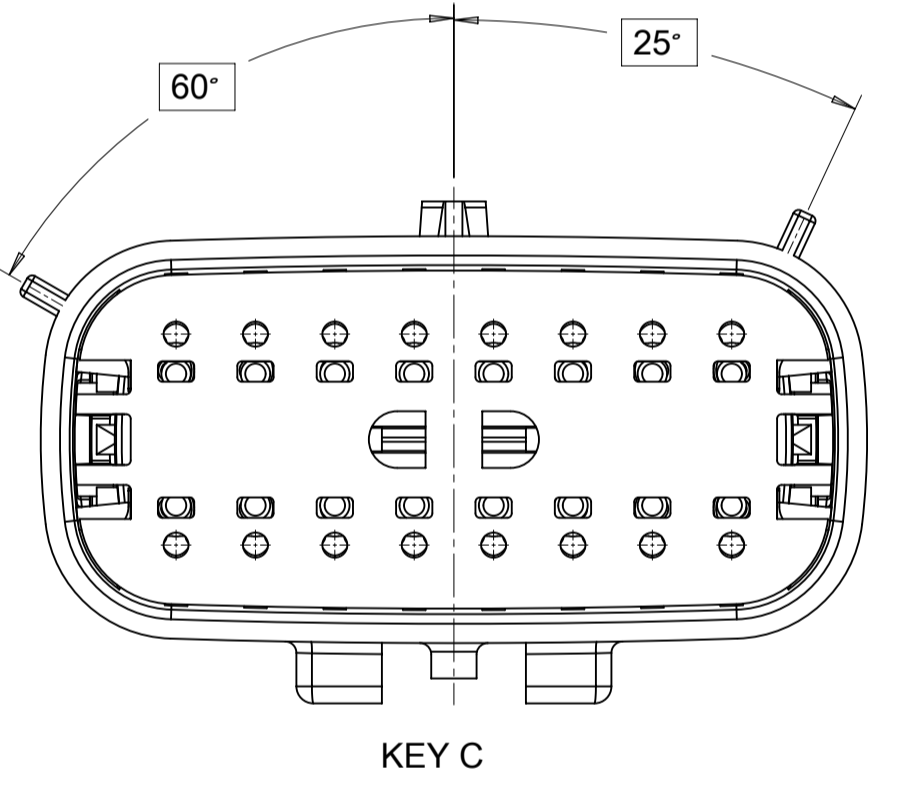
2X8



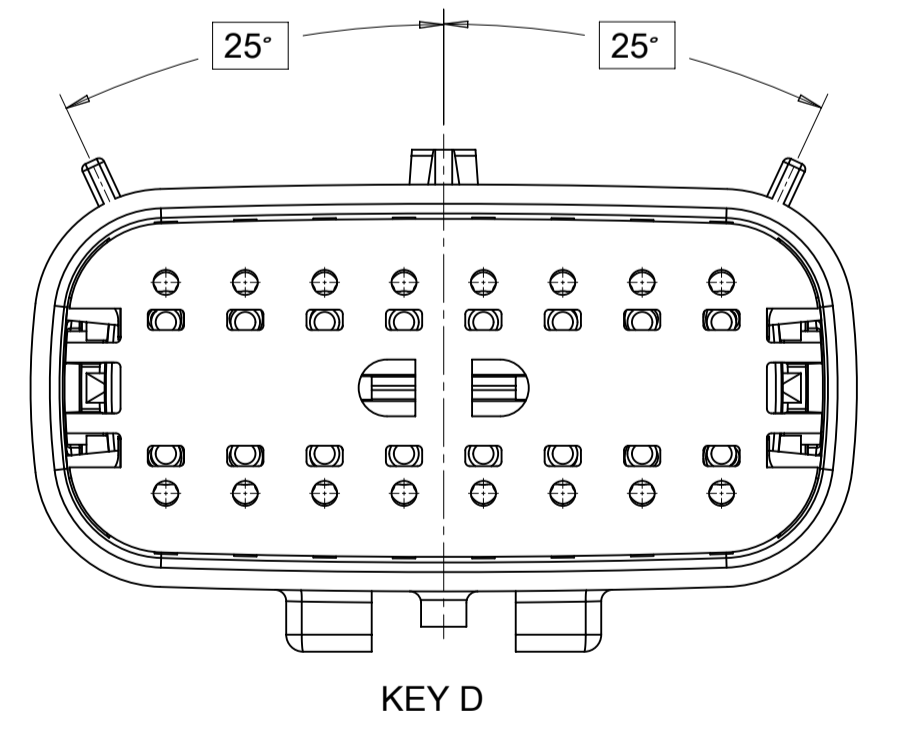
KEY A



KEY B

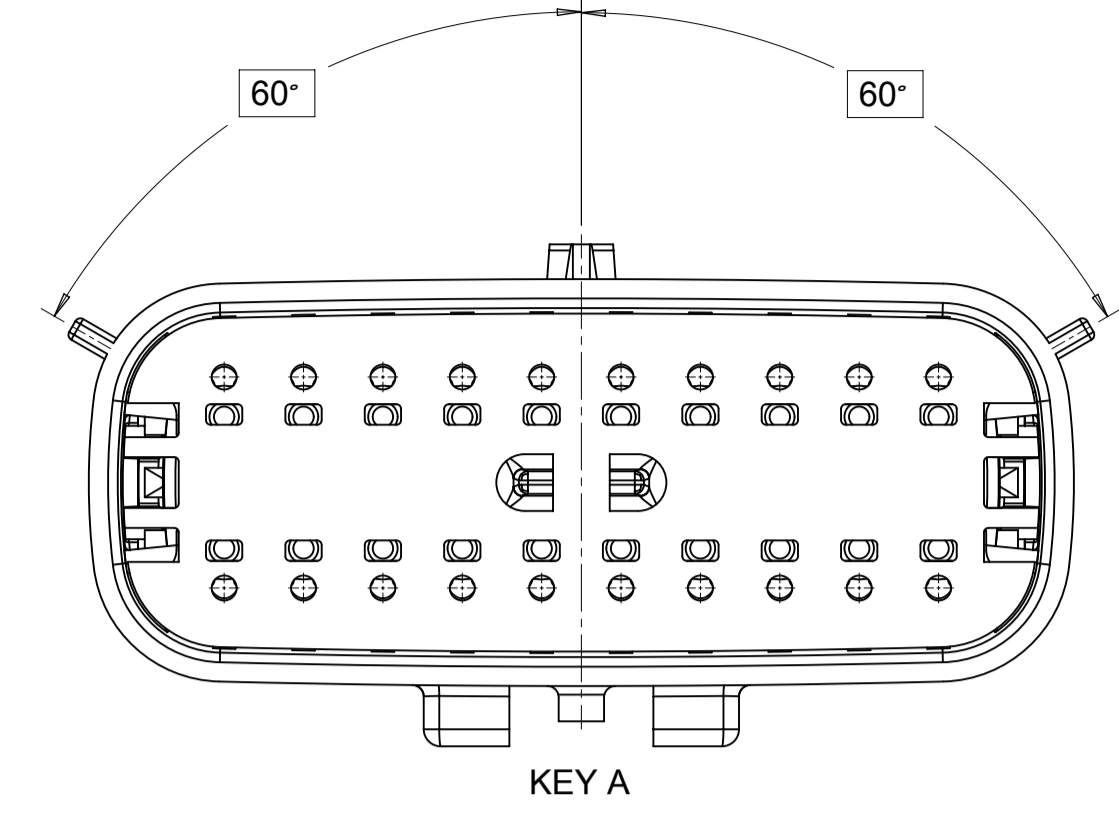


KEY C

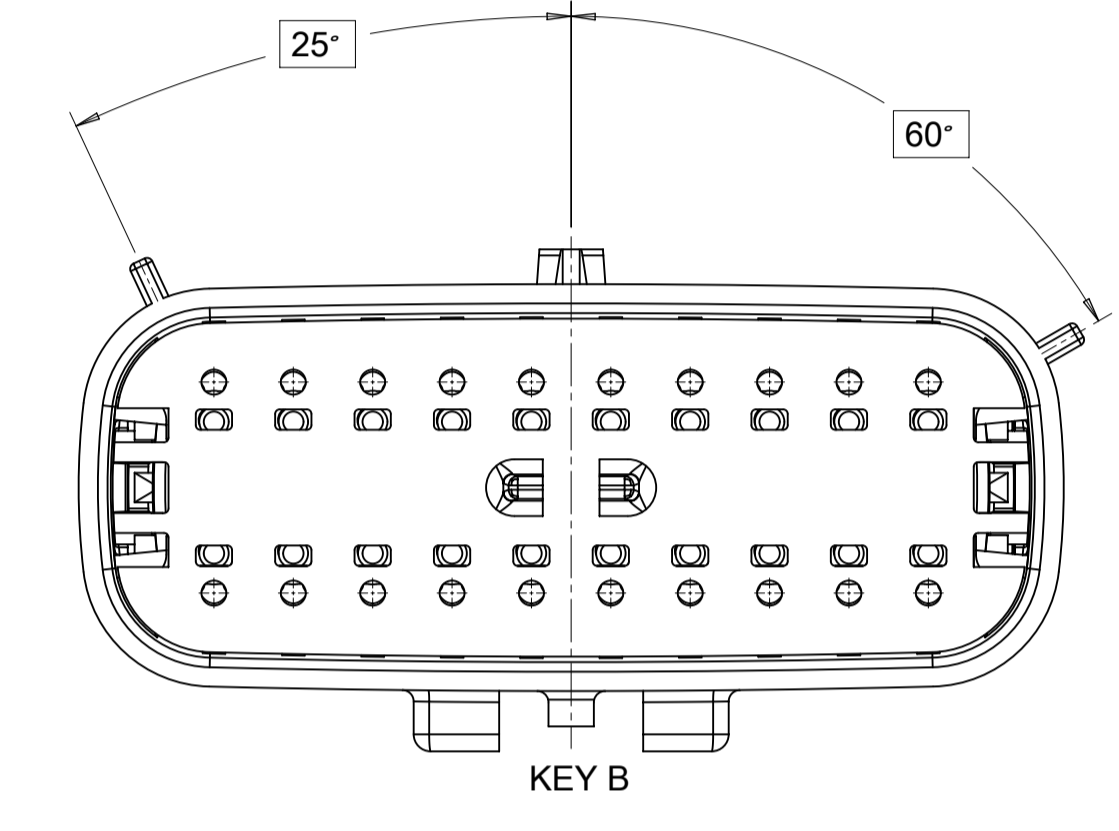


KEY D

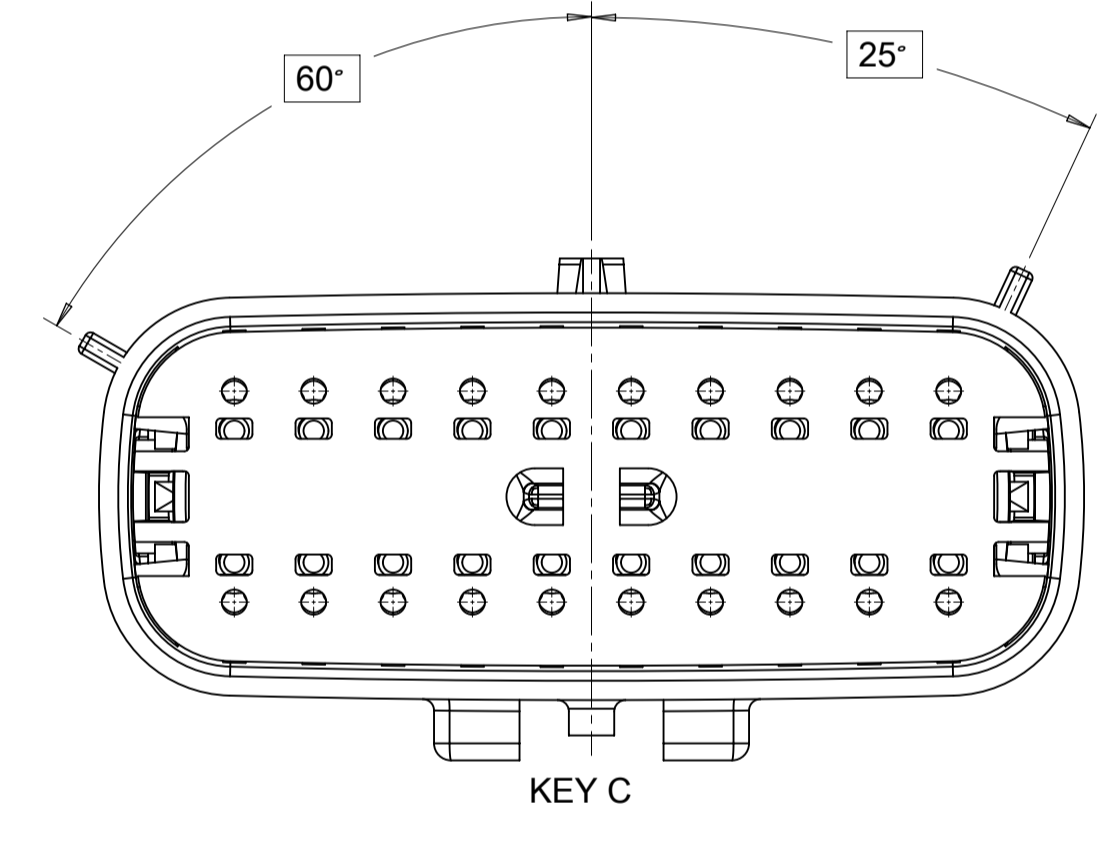
2X10



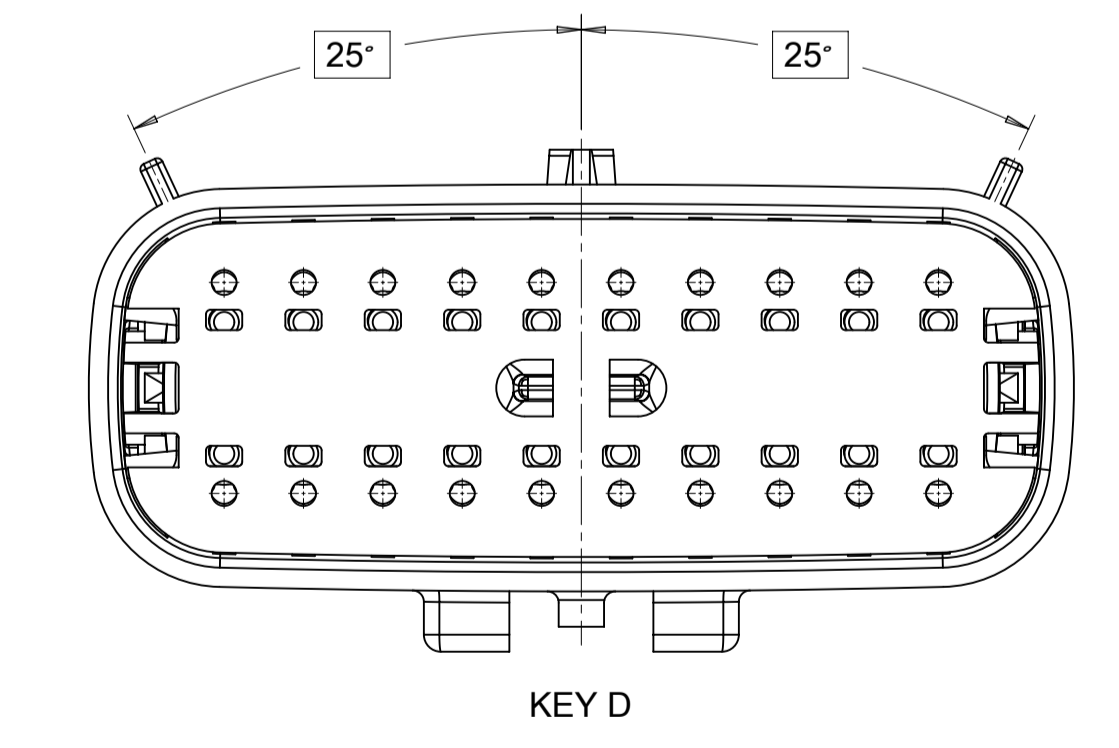
KEY A



KEY B



KEY C

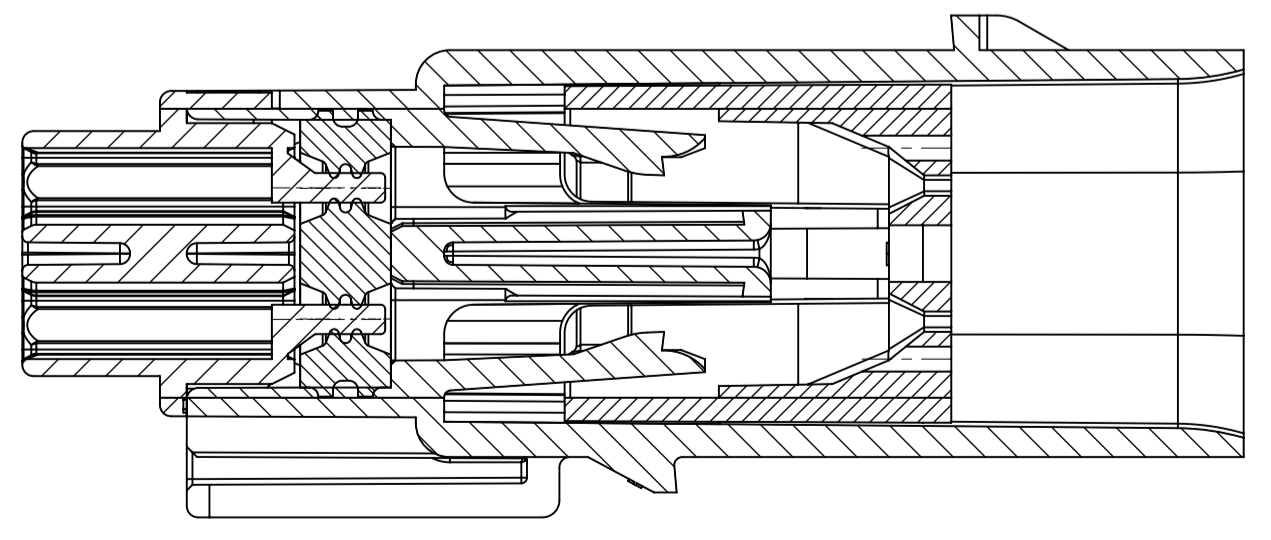
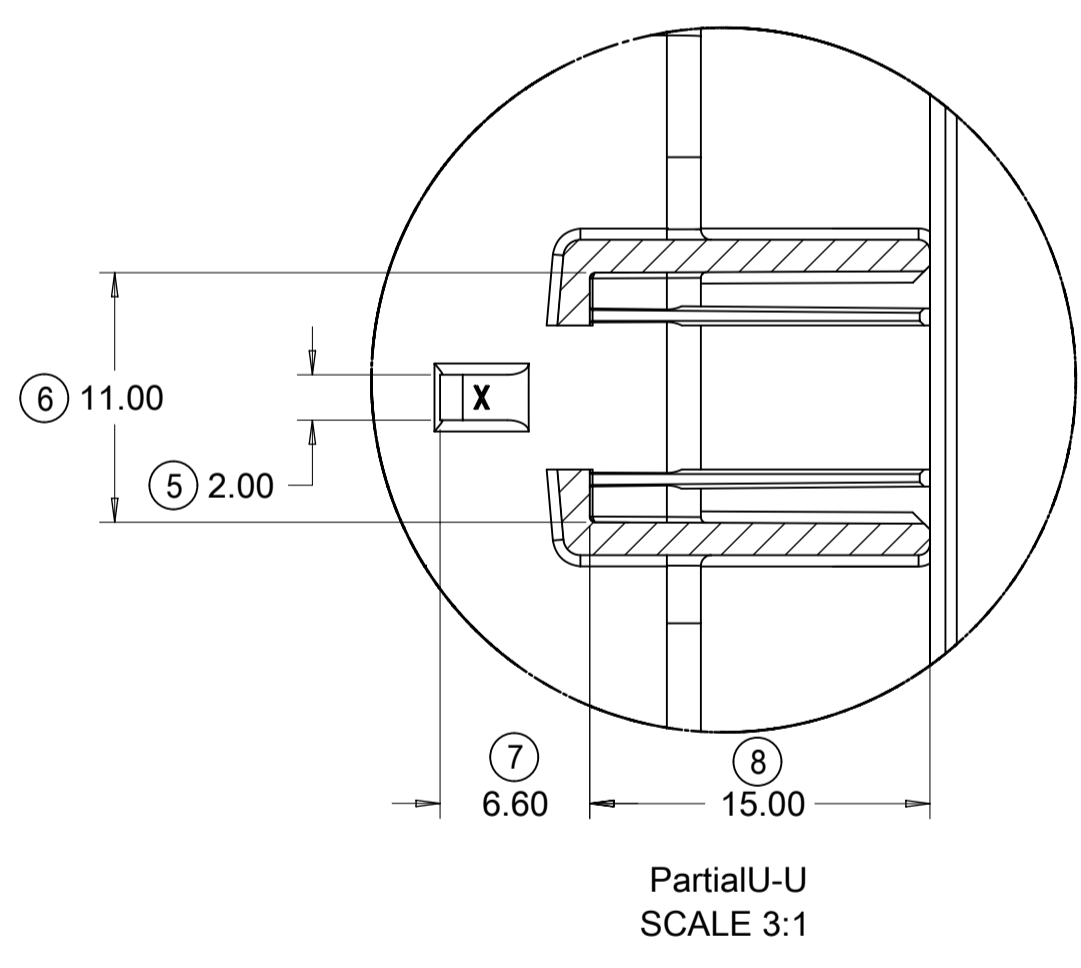
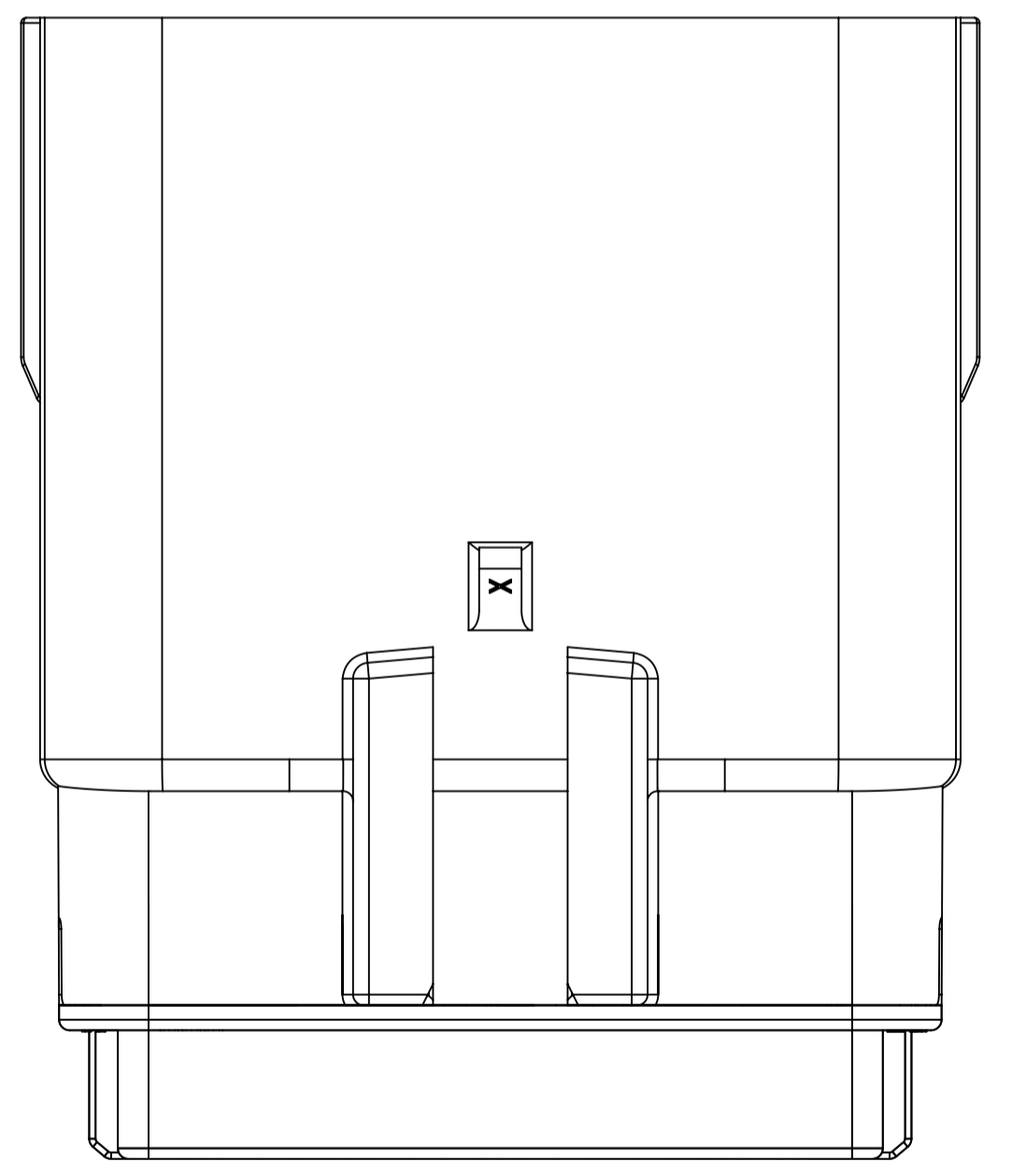
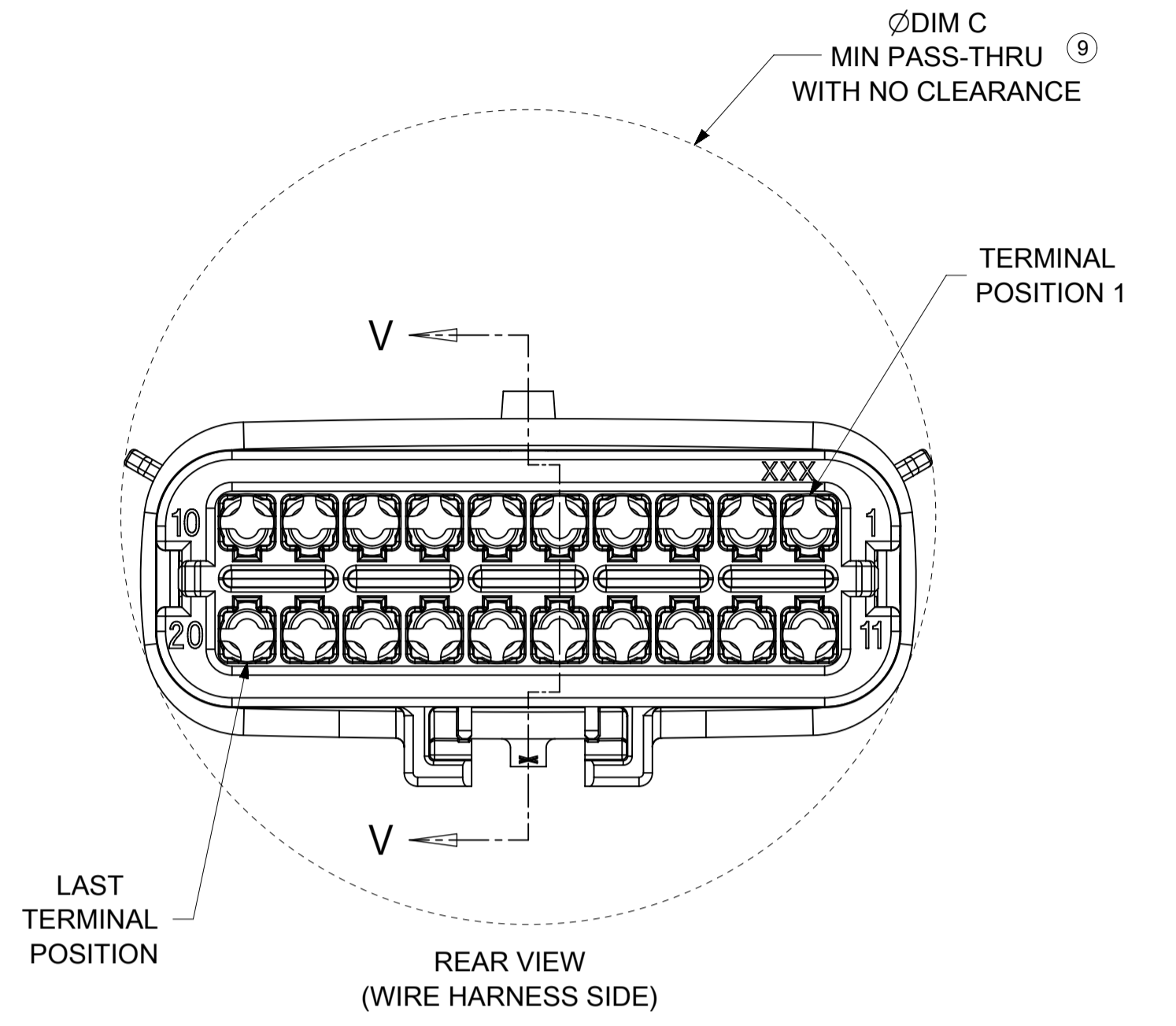
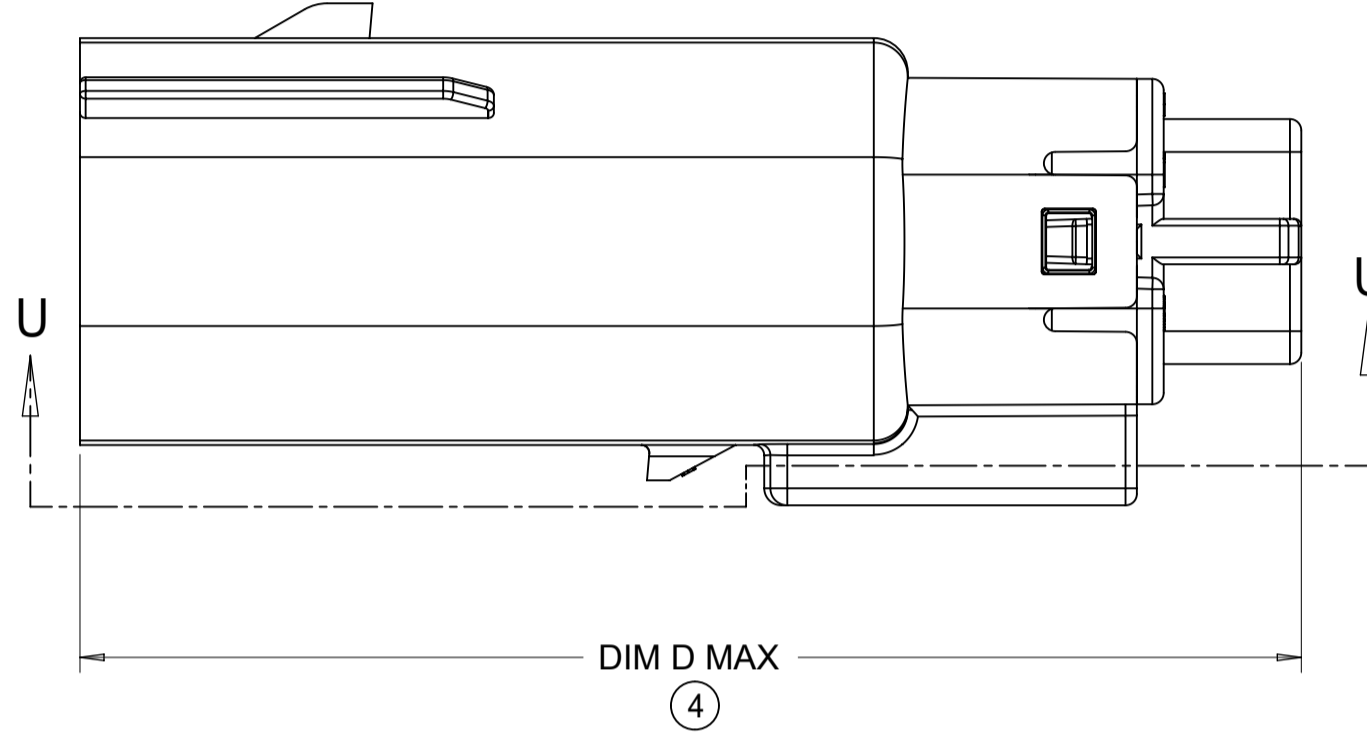
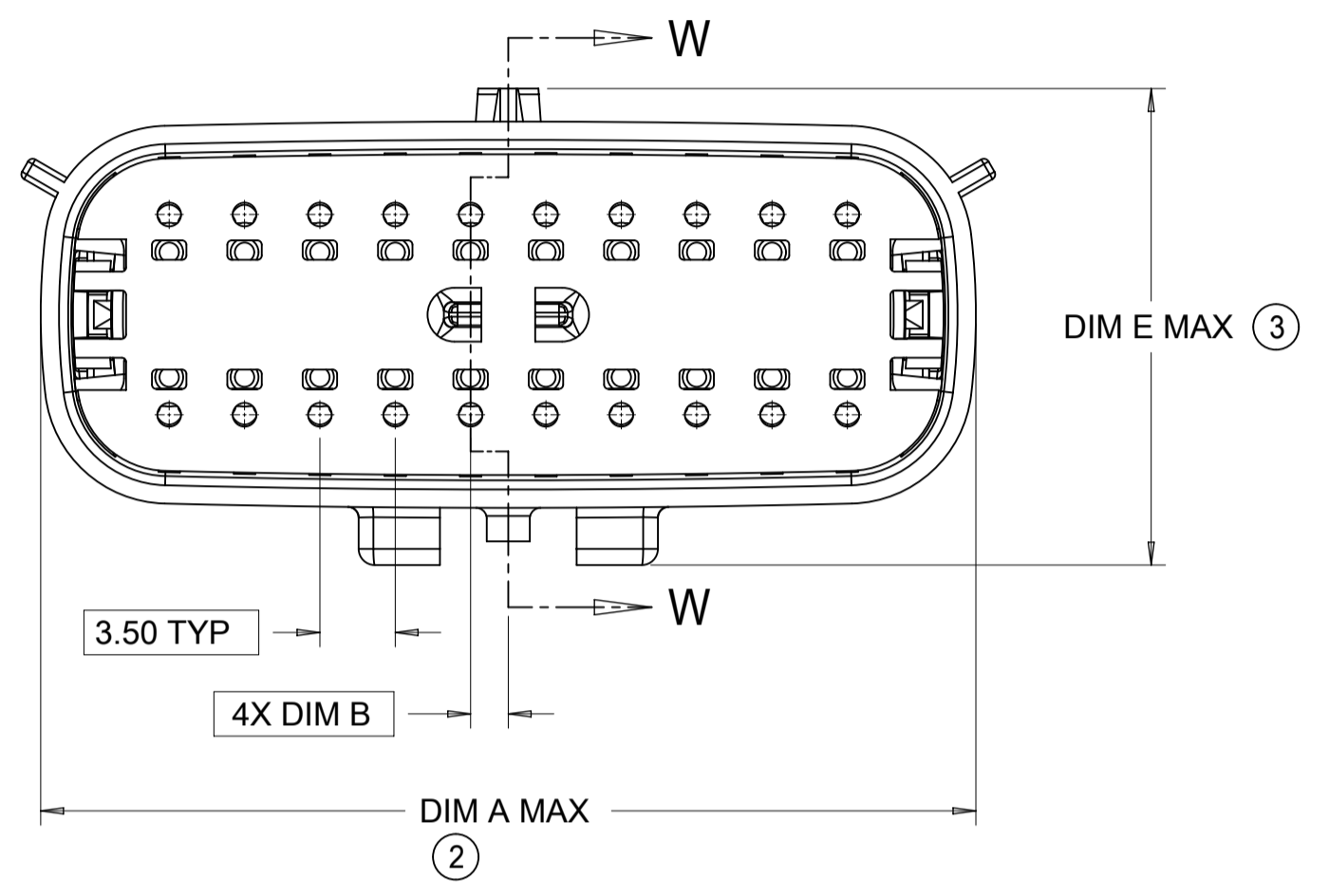
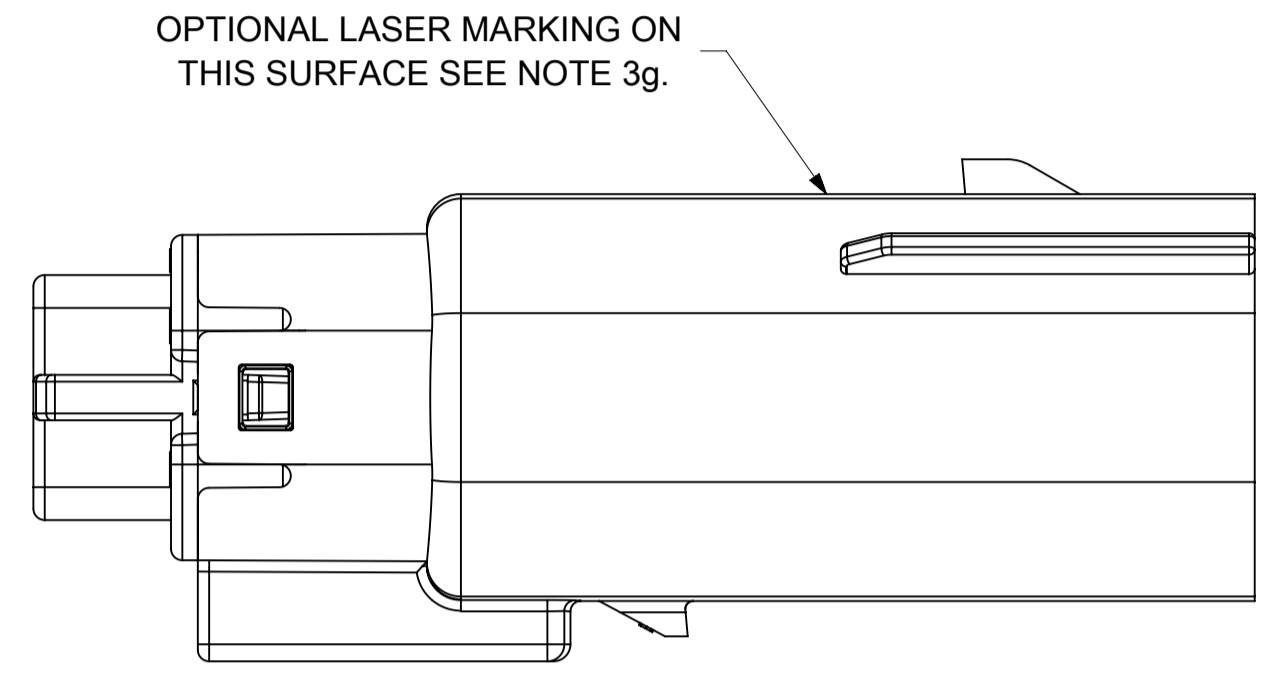


KEY D

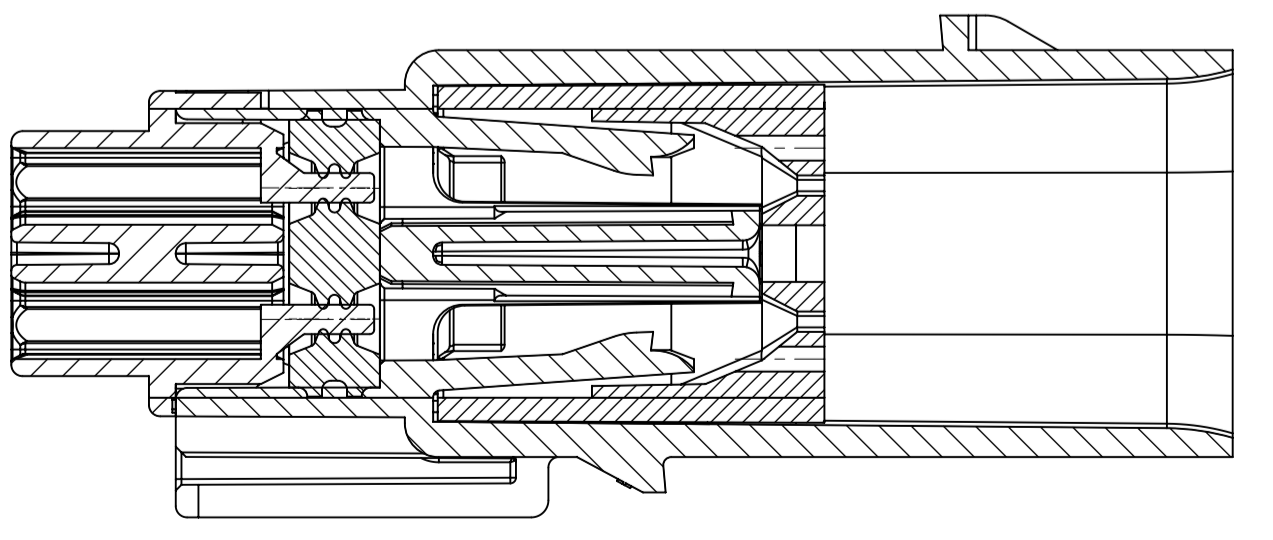
SYMBOLS	THIS DRAWING CONTAINS INFORMATION THAT IS PROPRIETARY TO MOLEX ELECTRONIC TECHNOLOGIES, LLC AND SHOULD NOT BE USED WITHOUT WRITTEN PERMISSION		CURRENT REV DESC:						
	DIMENSION UNITS	SCALE						EC NO: 171650	DRWN: PMANJUNATHAC 2018/01/03
▽ = 0	mm	3:1	GENERAL TOLERANCES (UNLESS SPECIFIED)	CHK'D: MVANSLAMBROU 2018/02/16	DUAL ROW SEALED ASSEMBLY MAT SEAL				
▽ = 0	ANGULAR TOL ± 1.0°		APPR: MVANSLAMBROU 2018/02/16	PRODUCT CUSTOMER DRAWING		DOCUMENT NUMBER	DOC TYPE	DOC PART	REVISION
▽ = 0	4 PLACES ±	INITIAL REVISION:	DRWN: APROFFITT 2014/04/28	SD-33482-0001		PSD	001	E2	
▽ = 0	3 PLACES ±	DRWN: APROFFITT 2014/05/14	APPR: VKOSHY	MATERIAL NUMBER		CUSTOMER		SHEET NUMBER	
▽ = 0	2 PLACES ± 0.1	THIRD ANGLE PROJECTION	DRAWING	GENERAL MARKET		4 OF 11			
▽ = 0	1 PLACE ± 0.2	DRAFT WHERE APPLICABLE	SERIES	A1-SIZE		33482			
▽ = 0	0 PLACES ±	MUST REMAIN WITHIN DIMENSIONS	DRAWING		CUSTOMER		GENERAL MARKET		
▽ = 0	DRAFT WHERE APPLICABLE MUST REMAIN WITHIN DIMENSIONS		DRAWING		CUSTOMER		GENERAL MARKET		

SHEET DESCRIPTION
BLADE SEALED ASSEMBLY

DESCRIPTION	DIMENSIONS				
	A	B	C	D	E
2X2	15.54	1.75	24.40	54.45	22.23
2X3 STANDARD	19.04	3.50	26.21	54.45	22.23
2X3 LENGTHENED	19.04	3.50	26.21	56.45	22.23
2X4	22.54	1.75	27.21	54.45	22.23
2X6	29.54	1.75	32.27	54.45	22.23
2X8	36.54	1.75	38.88	54.45	22.23
2X10	43.64	1.75	45.65	54.45	22.05



PRIMARY LOCK REINFORCEMENT (PLR) SHOWN IN PRE-STAGED POSITION
SECTION W-W

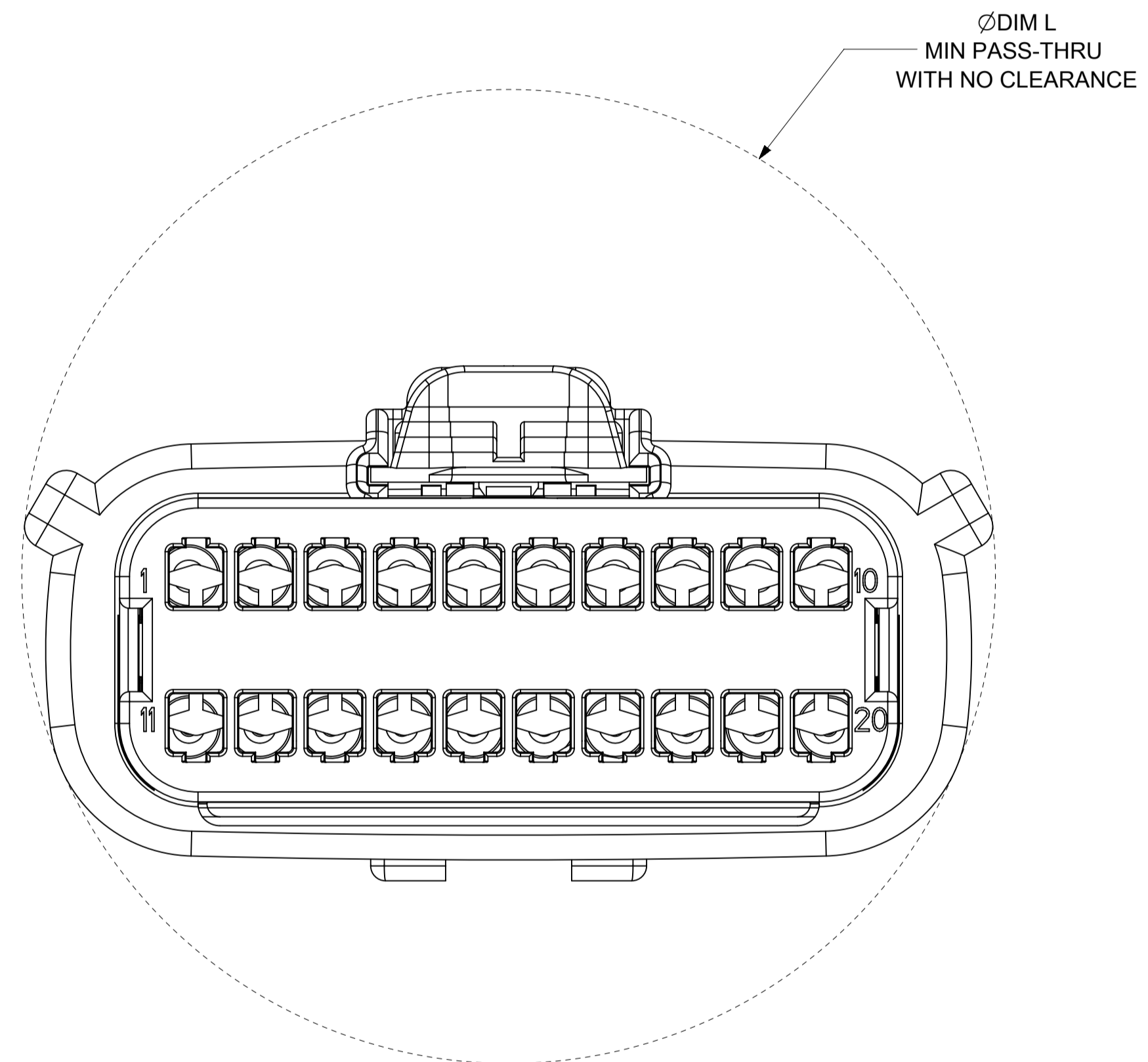
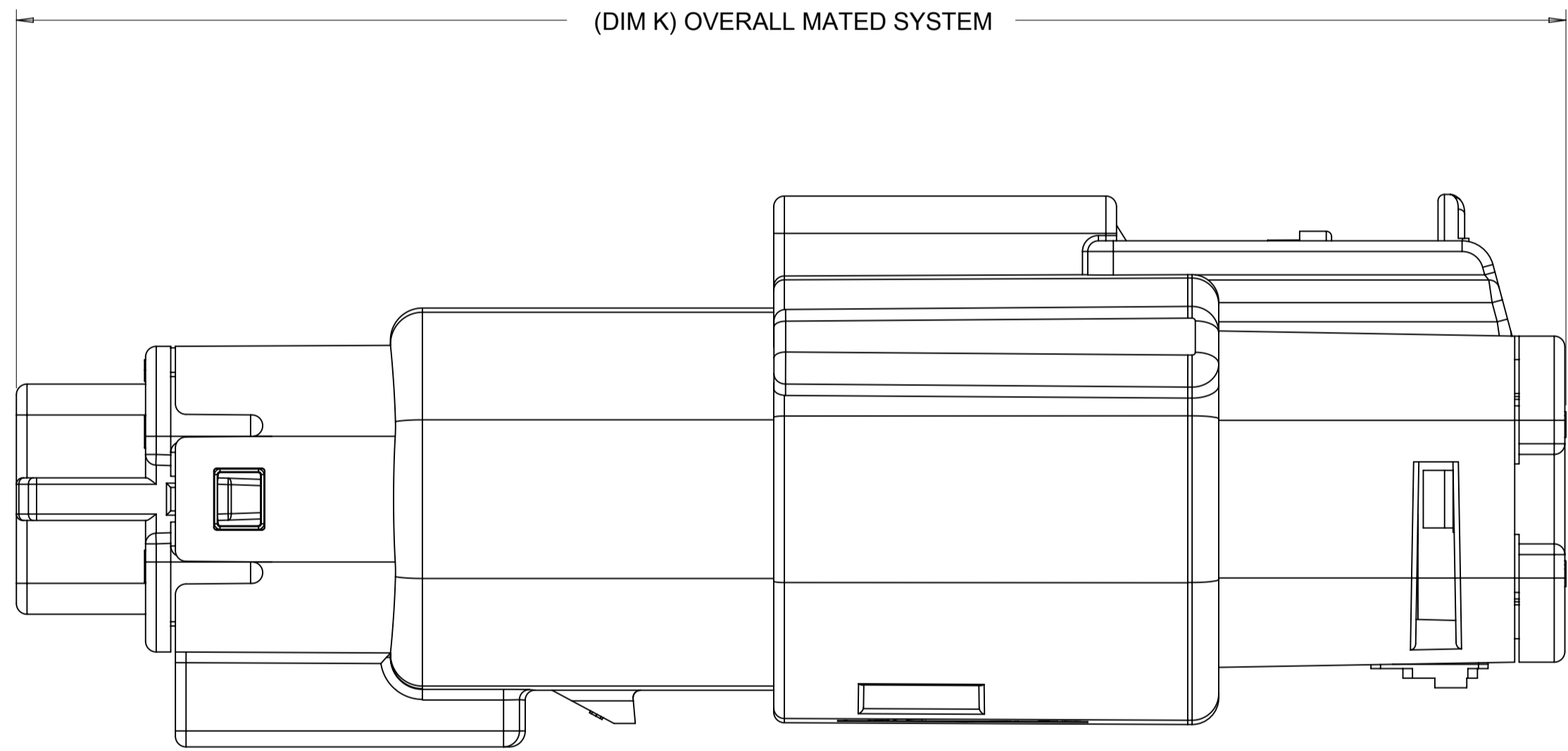


PRIMARY LOCK REINFORCEMENT (PLR) SHOWN IN FINAL-LOCK POSITION
SECTION V-V

SYMBOLS THIS DRAWING CONTAINS INFORMATION THAT IS PROPRIETARY TO MOLEX ELECTRONIC TECHNOLOGIES, LLC AND SHOULD NOT BE USED WITHOUT WRITTEN PERMISSION DIMENSION UNITS: mm SCALE: 3:1 GENERAL TOLERANCES (UNLESS SPECIFIED): ANGULAR TOL: ± 1.0° 4 PLACES: ± 3 PLACES: ± 2 PLACES: ± 0.1 1 PLACE: ± 0.2 0 PLACES: ± DRAFT WHERE APPLICABLE MUST REMAIN WITHIN DIMENSIONS	CURRENT REV DESC:		 MX150 BLADE DUAL ROW SEALED ASSEMBLY MAT SEAL PRODUCT CUSTOMER DRAWING	
	EC NO: 171650 DRWN: PMANJUNATHAC 2018/01/03 CHK'D: MVANSLAMBROU 2018/02/16 APPR: MVANSLAMBROU 2018/02/16			DOCUMENT NUMBER: SD-33482-0001 DOC TYPE: PSD DOC PART: 001 REVISION: E2
	INITIAL REVISION: DRWN: APROFFITT 2014/04/28 APPR: VKOSHY 2014/05/14			MATERIAL NUMBER: 33482 CUSTOMER: GENERAL MARKET SHEET NUMBER: 5 OF 11
	THIRD ANGLE PROJECTION	DRAWING: A1-SIZE		SERIES: 33482

SHEET DESCRIPTION
SYSTEM PACKAGING

CKT	BLADE CONFIGURATION	RECEPTACLE CONFIGURATION	DIMENSIONS	
			K	L
			2X2	STANDARD
		W/ CLIPSLOT	72.78	28.50
		LENGTHENED	77.21	28.00
2X3	STANDARD	W/O CLIPSLOT	72.78	28.00
		W/ CLIPSLOT		30.50
	LENGTHENED	W/O CLIPSLOT	74.79	28.00
		W/ CLIPSLOT		30.50
2X4	STANDARD	W/O CLIPSLOT	72.78	29.50
		W/ CLIPSLOT		31.50
2X6	STANDARD	W/O CLIPSLOT	72.79	35.58
		W/ CLIPSLOT		
2X8	STANDARD	W/O CLIPSLOT	72.67	42.25
		W/ CLIPSLOT		
2X10	STANDARD	STANDARD	72.78	49.05



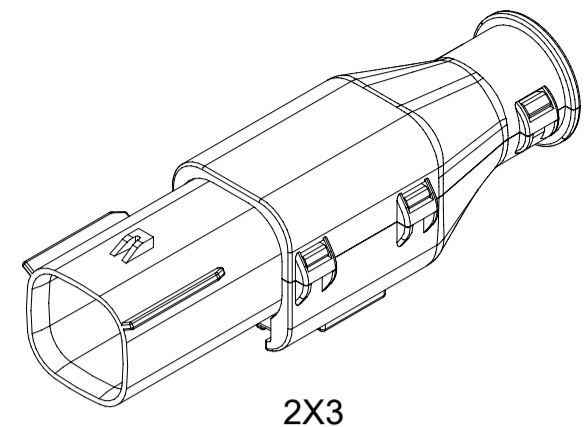
SYMBOLS ▽ = 0 ▽ = 0 ▽ = 0 ▽ = 0 ▽ = 0 ▽ = 0 ▽ = 0 ▽ = 0 ▽ = 0 ▽ = 0	THIS DRAWING CONTAINS INFORMATION THAT IS PROPRIETARY TO MOLEX ELECTRONIC TECHNOLOGIES, LLC AND SHOULD NOT BE USED WITHOUT WRITTEN PERMISSION	DIMENSION UNITS	SCALE	CURRENT REV DESC:						
	mm	4:1	EC NO: 171650 DRWN: PMANJUNATHAC 2018/01/03 CHK'D: MVANSLAMBROU 2018/02/16 APPR: MVANSLAMBROU 2018/02/16							
	GENERAL TOLERANCES (UNLESS SPECIFIED)				INITIAL REVISION:			DOCUMENT NUMBER		
	ANGULAR TOL ± 1.0°				DRWN: APROFFITT 2014/04/28			SD-33482-0001		
	4 PLACES ±				APPR: VKOSHY 2014/05/14			DOC TYPE DOC PART REVISION		
	3 PLACES ±				DRAFT WHERE APPLICABLE MUST REMAIN WITHIN DIMENSIONS			PSD 001 E2		
	2 PLACES ± 0.1				THIRD ANGLE PROJECTION			MATERIAL NUMBER		
	1 PLACE ± 0.2				DRAWING			CUSTOMER		
	0 PLACES ±				A1-SIZE			SHEET NUMBER		
	0 PLACES ±				SERIES			GENERAL MARKET		
				33482			6 OF 11			

SHEET DESCRIPTION
BACKSHELL NOTES

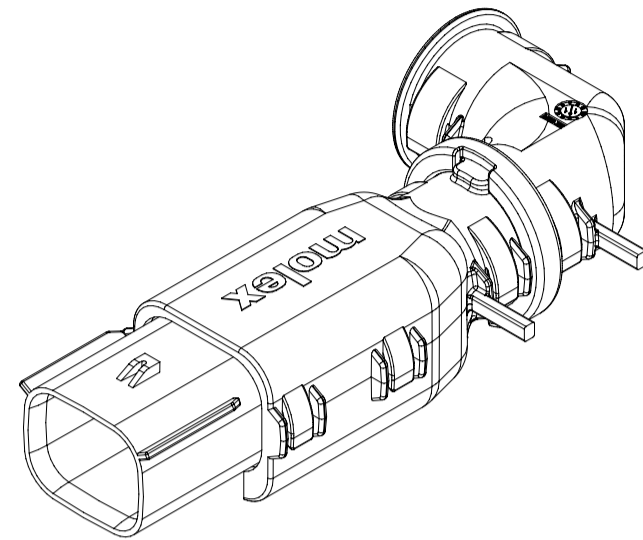
BACKSHELL NOTES: VALID UNLESS OTHERWISE SPECIFIED

1. GENERAL:

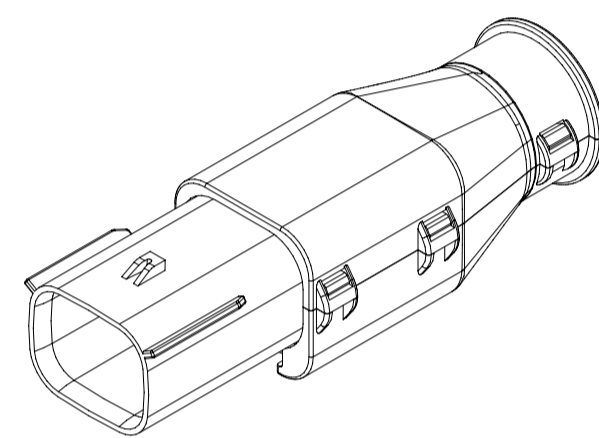
- a. APPLICATION SPECIFICATION SEE: AS-34951-001
- DESIGNED TO MATE WITH BLADE SEALED ASSEMBLY SPECIFIED IN MOLEX DRAWING SD-33482-0001.
- SYSTEM TO BE USED WITH WIRE WITHIN DIAMETER RANGE OF 1.2mm TO 2.69mm.
- COMPONENTS ARE OPTIONAL AND MUST BE PURCHASED SEPERATELY.
- DESIGN IS OWNED BY SCHLEMMER FOR SCHLEMMER BACKSHELL.
- DESIGN IS OWNED BY MOLEX FOR MOLEX BACKSHELL.
- 90° ADAPTOR DESIGN IS OWNED BY MOLEX.
- FOR ADDITIONAL INFORMATION SEE THE BACKSHELL COMPONENT DRAWING SD-34950-0001.



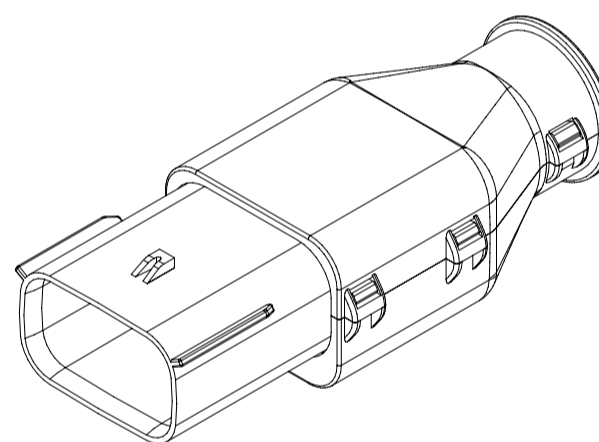
2X3



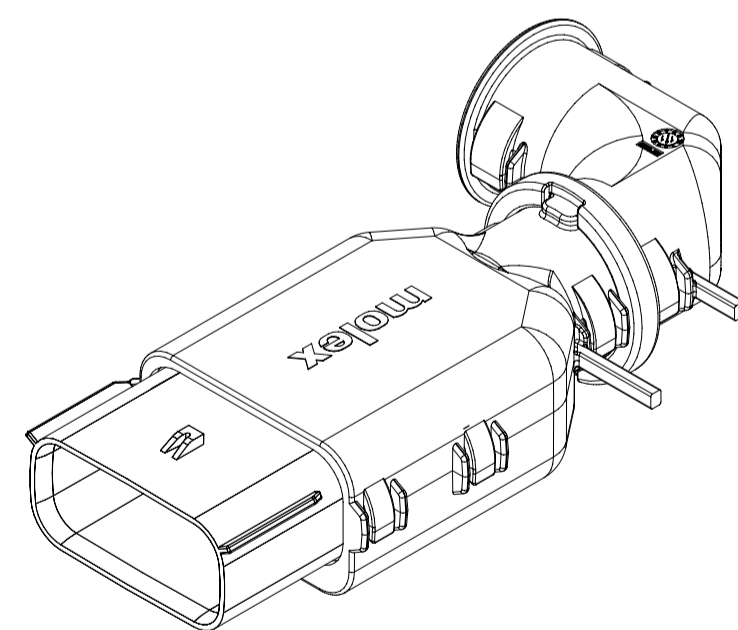
2X4



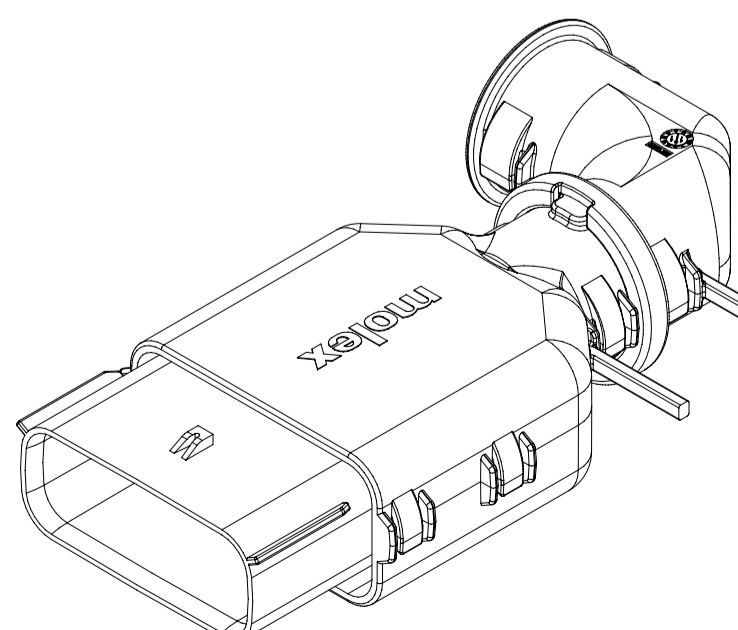
2X4



2X6



2X8



2X10

BACKSHELL CUSTOMER MODEL NUMBER LEGEND

34950-XXXX

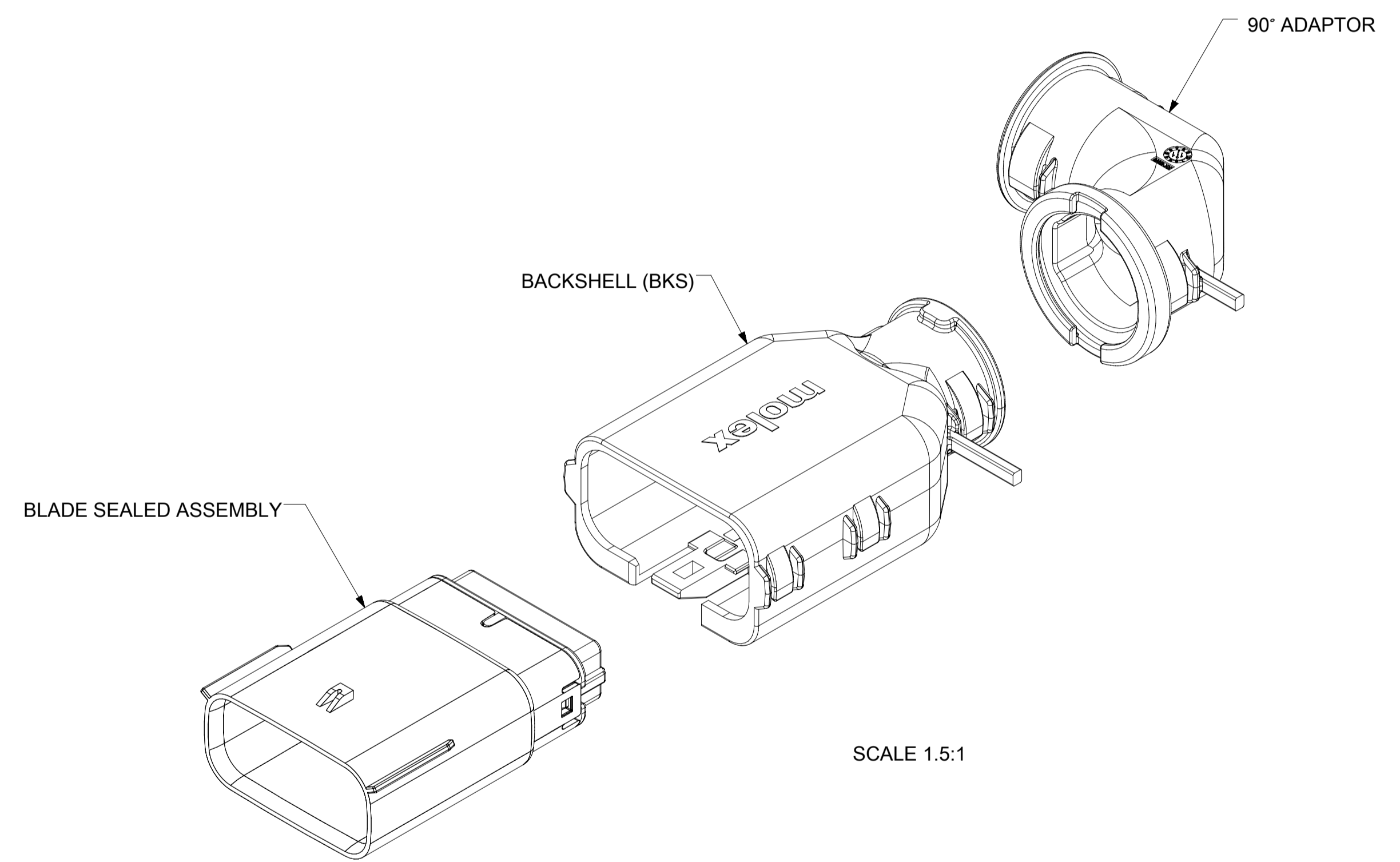
CUSTOMER MODEL COMPONENTS

- 0 - SCHLEMMER BACKSHELL ONLY
- 1 - SCHLEMMER BACKSHELL & MX150 HOUSING KEY A ASSEMBLY
- 2 - SCHLEMMER BACKSHELL & MX150 HOUSING KEY B ASSEMBLY
- 3 - SCHLEMMER BACKSHELL & MX150 HOUSING KEY C ASSEMBLY
- 4 - SCHLEMMER BACKSHELL & MX150 HOUSING KEY D ASSEMBLY
- 5 - MOLEX BACKSHELL ONLY
- 6 - MOLEX BACKSHELL & MX150 HOUSING KEY A ASSEMBLY
- 7 - MOLEX BACKSHELL & MX150 HOUSING KEY B ASSEMBLY
- 8 - MOLEX BACKSHELL & MX150 HOUSING KEY C ASSEMBLY
- 9 - MOLEX BACKSHELL & MX150 HOUSING KEY D ASSEMBLY

BACKSHELL FEATURES

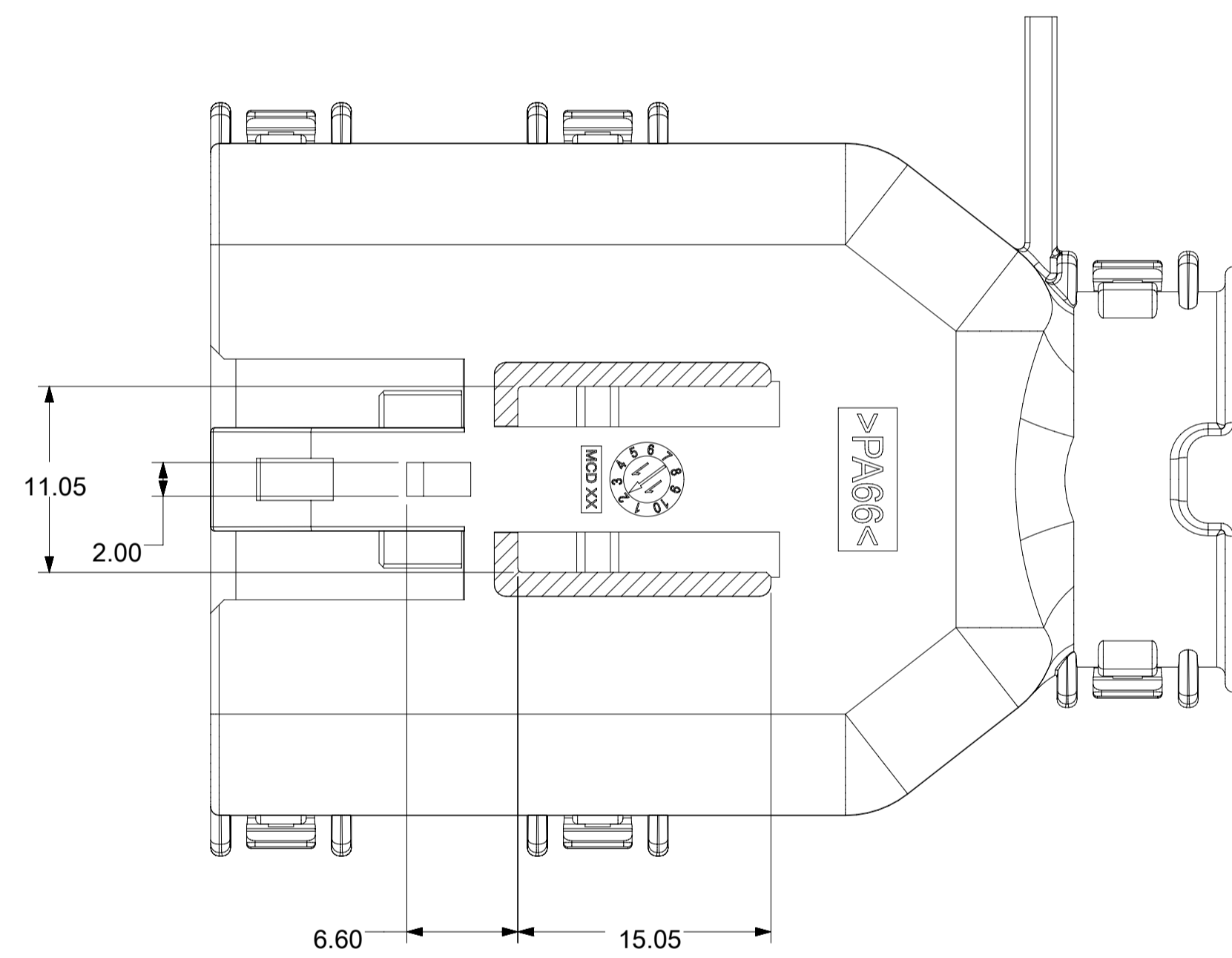
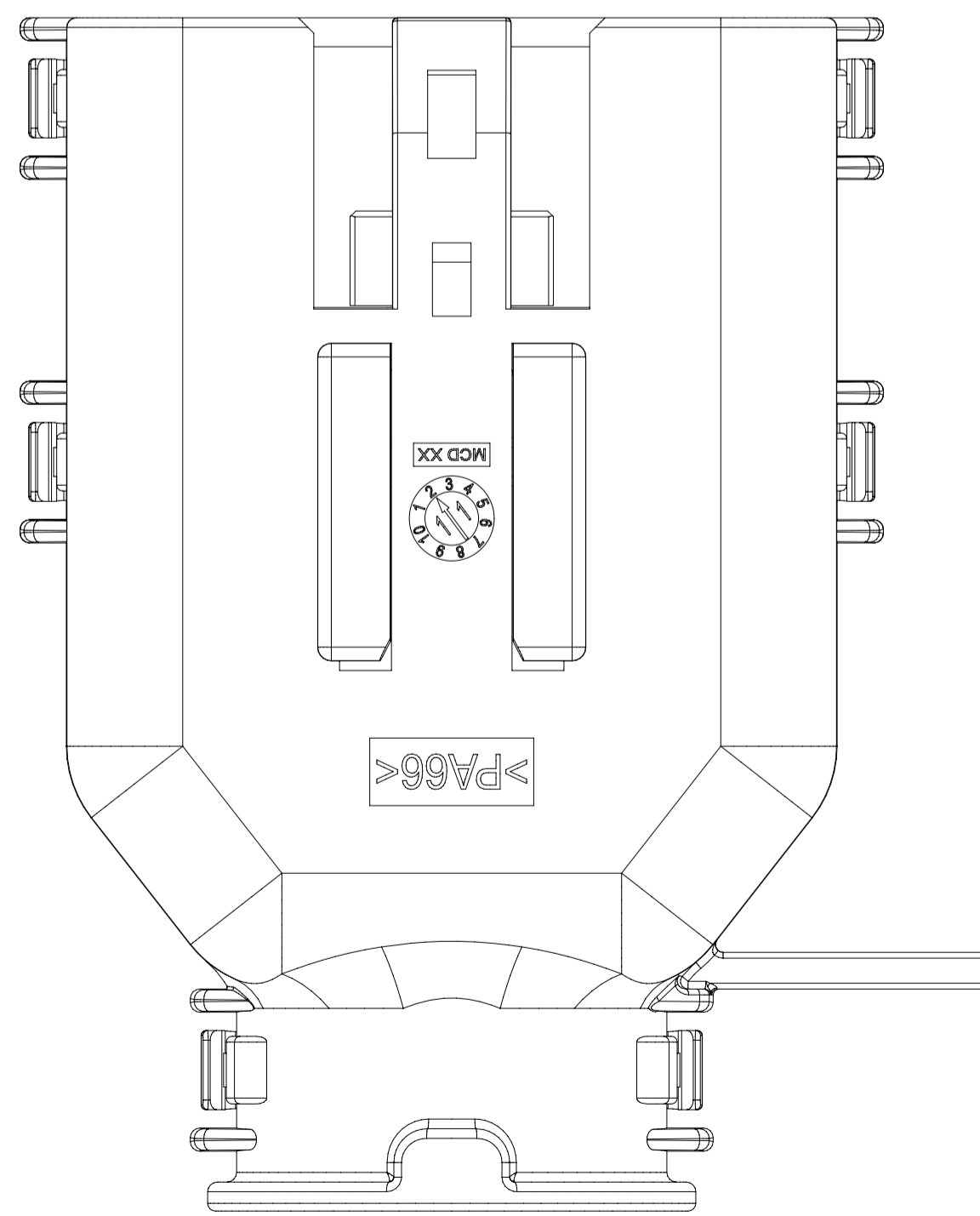
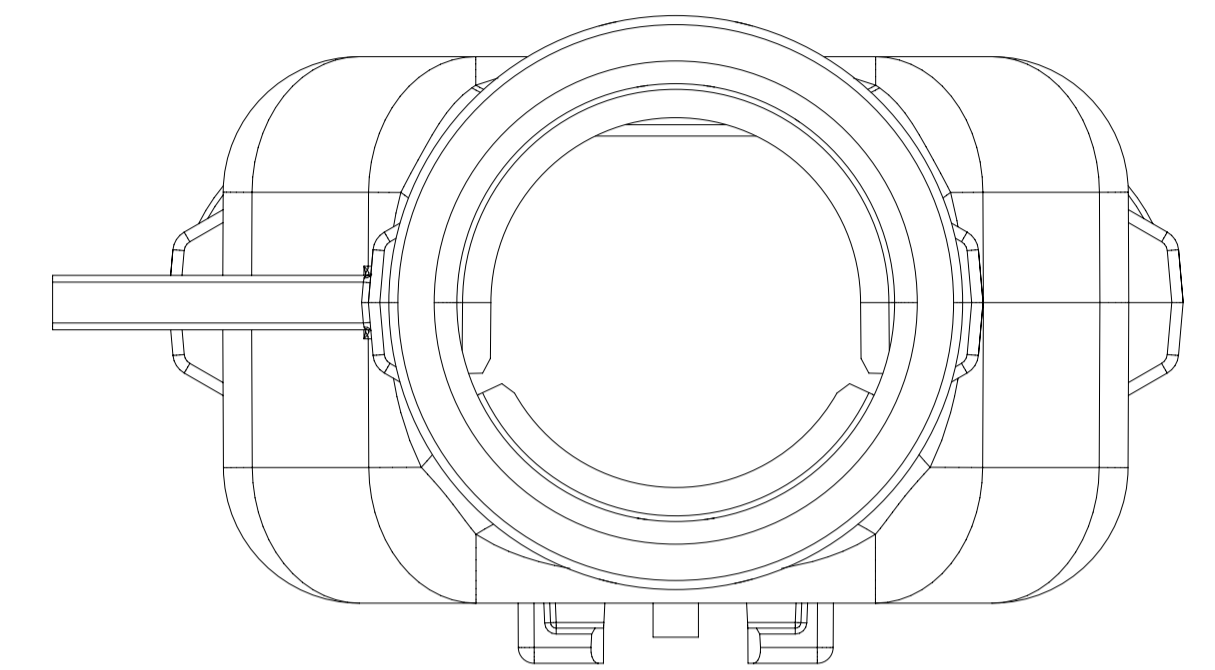
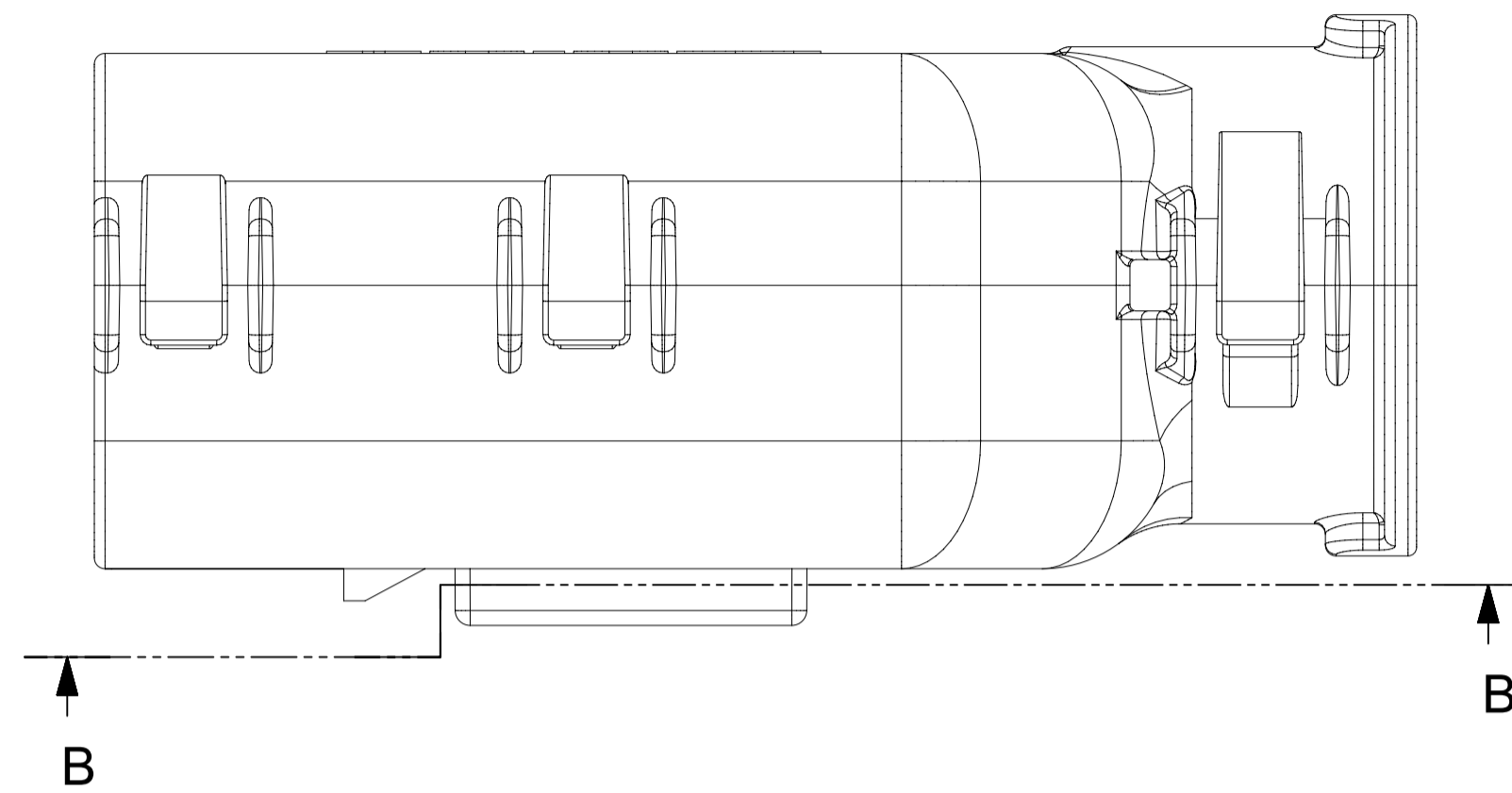
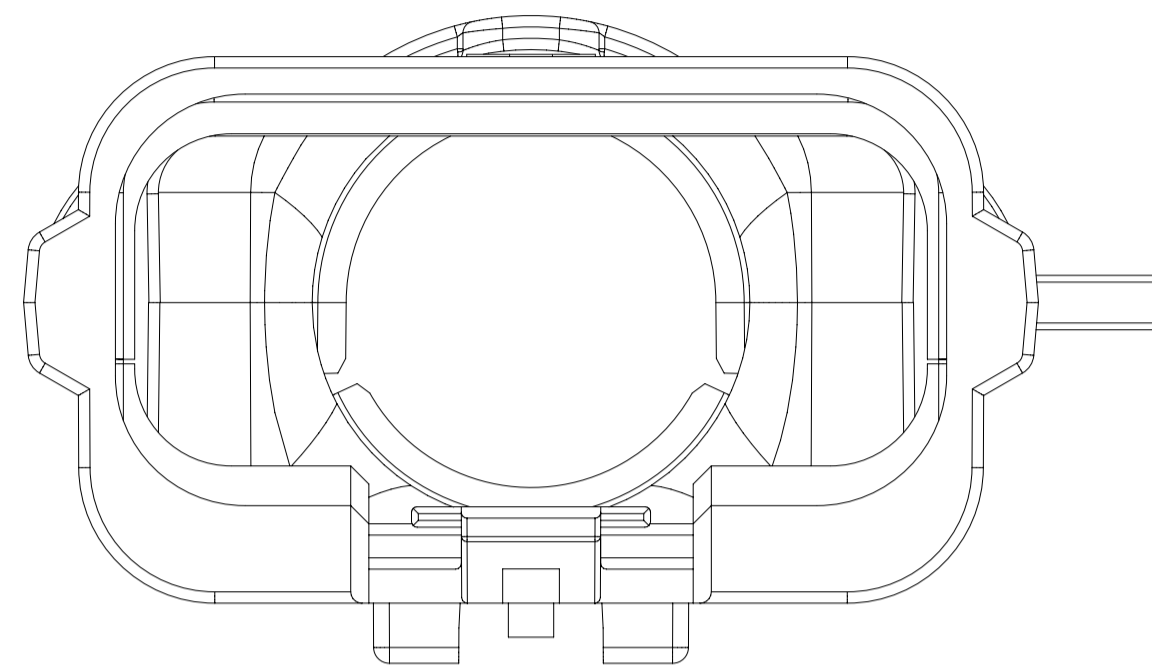
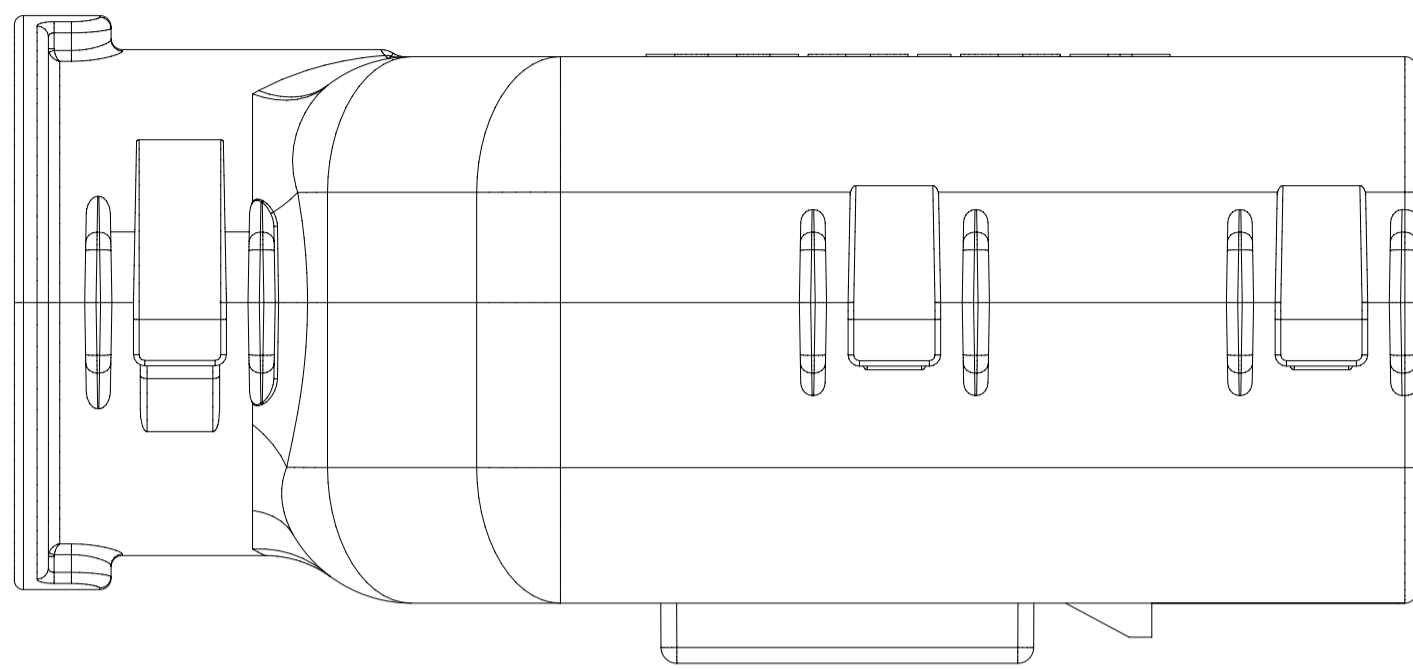
- 1 - WITH RIBS
- 2 - WITHOUT RIBS
- 3 - 90° ADAPTOR

MX150 CIRCUIT SIZE 04, 06, 08, 12, 16, 20



SYMBOLS		THIS DRAWING CONTAINS INFORMATION THAT IS PROPRIETARY TO MOLEX ELECTRONIC TECHNOLOGIES, LLC AND SHOULD NOT BE USED WITHOUT WRITTEN PERMISSION		CURRENT REV DESC:		molex	
DIMENSION UNITS	SCALE						
= 0	mm	1.5:1					MX150 BLADE DUAL ROW SEALED ASSEMBLY MAT SEAL
= 0	GENERAL TOLERANCES (UNLESS SPECIFIED)		EC NO: 171650				
= 0	ANGULAR TOL ± 1.0°		DRWN: PMANJUNATHAC 2018/01/03				PRODUCT CUSTOMER DRAWING
= 0	4 PLACES ±		CHK'D: MVANSLAMBROU 2018/02/16				
= 0	3 PLACES ±		APPR: MVANSLAMBROU 2018/02/16				DOCUMENT NUMBER
= 0	2 PLACES ± 0.1		INITIAL REVISION:				DOC TYPE DOC PART REVISION
= 0	1 PLACE ± 0.2		DRWN: APROFFITT 2014/04/28				SD-33482-0001
= 0	0 PLACES ±		APPR: VKOSHY 2014/05/14				PSD 001 E2
= 0	DRAFT WHERE APPLICABLE MUST REMAIN WITHIN DIMENSIONS		THIRD ANGLE PROJECTION	DRAWING	SERIES	MATERIAL NUMBER	CUSTOMER
= 0				A1-SIZE	33482		GENERAL MARKET
							SHEET NUMBER
							7 OF 11

SHEET DESCRIPTION
MOLEX BACKSHELL

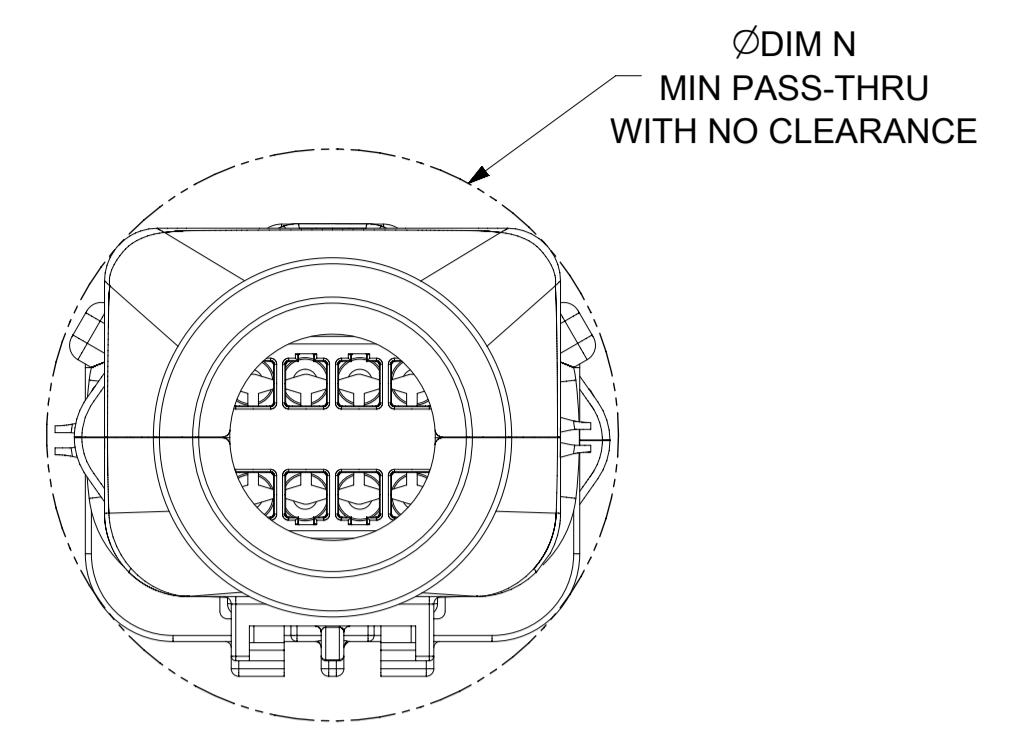
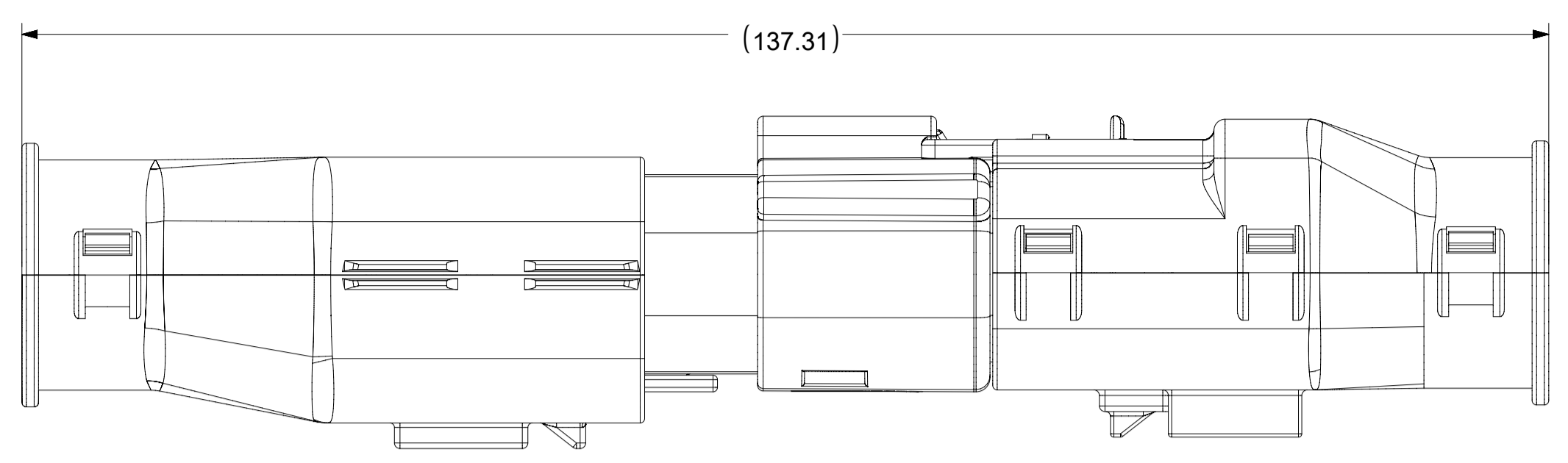


SECTION B-B

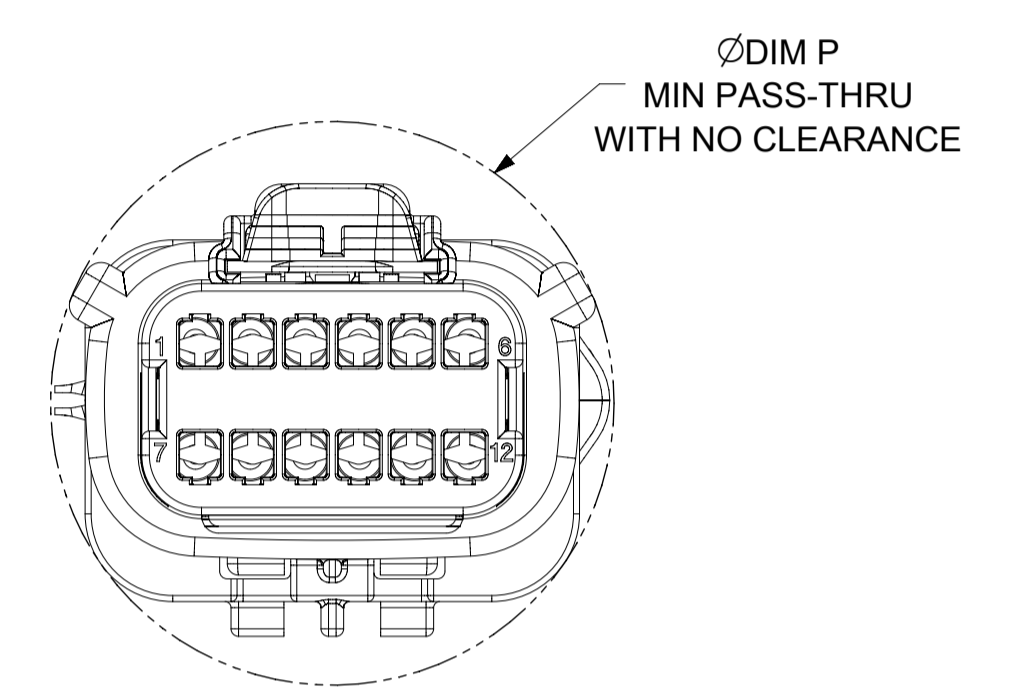
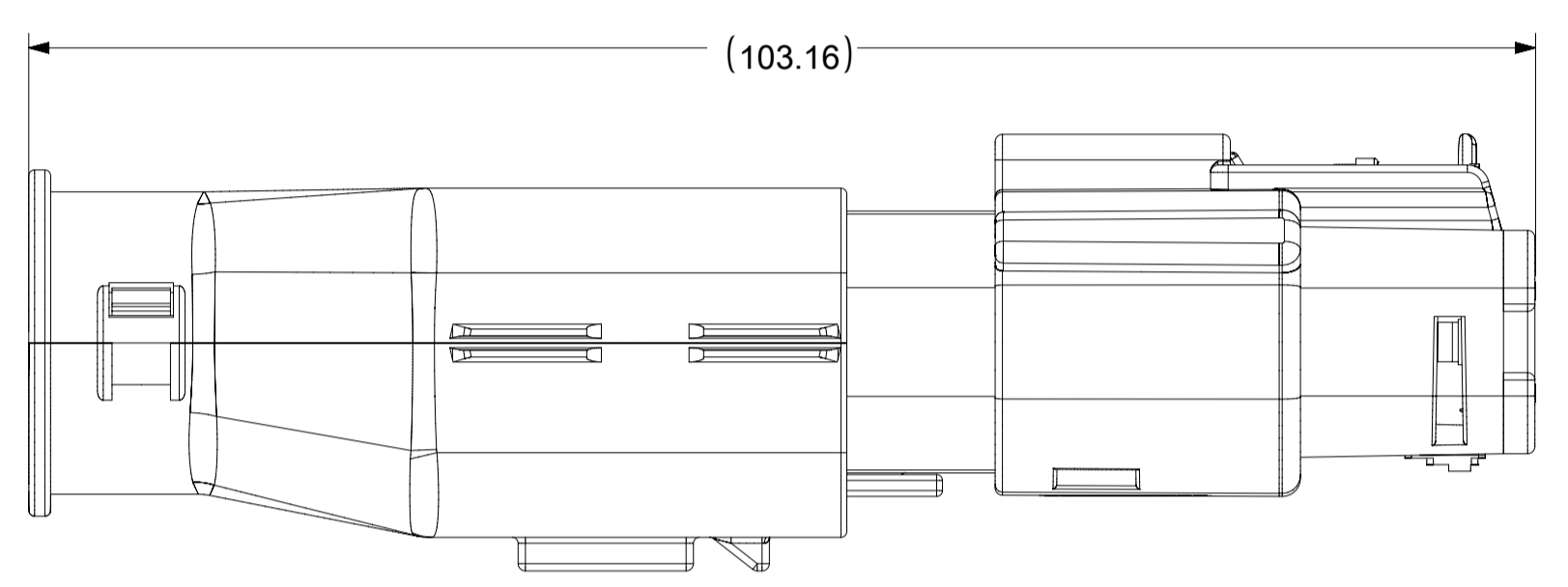
SYMBOLS		THIS DRAWING CONTAINS INFORMATION THAT IS PROPRIETARY TO MOLEX ELECTRONIC TECHNOLOGIES, LLC AND SHOULD NOT BE USED WITHOUT WRITTEN PERMISSION		CURRENT REV DESC:		molex	
$\nabla = 0$	DIMENSION UNITS	mm	SCALE	3:1		MX150 BLADE DUAL ROW SEALED ASSEMBLY MAT SEAL	
$\nabla = 0$	GENERAL TOLERANCES (UNLESS SPECIFIED)		EC NO: 171650		PRODUCT CUSTOMER DRAWING		
$\nabla = 0$	ANGULAR TOL $\pm 1.0^\circ$		DRWN: PMANJUNATHAC 2018/01/03		DOCUMENT NUMBER		DOC TYPE DOC PART REVISION
$\nabla = 0$	4 PLACES \pm		CHK'D: MVANSLAMBROU 2018/02/16		SD-33482-0001		PSD 001 E2
$\nabla = 0$	3 PLACES \pm		APPR: MVANSLAMBROU 2018/02/16		INITIAL REVISION:		
$\nabla = 0$	2 PLACES ± 0.1		DRWN: APROFFITT 2014/04/28		MATERIAL NUMBER		CUSTOMER
$\nabla = 0$	1 PLACE ± 0.2		APPR: VKOSHY 2014/05/14		SERIES		SHEET NUMBER
$\nabla = 0$	0 PLACES \pm		DRAFT WHERE APPLICABLE MUST REMAIN WITHIN DIMENSIONS		DRAWING		GENERAL MARKET
$\nabla = 0$			THIRD ANGLE PROJECTION		A1-SIZE		9 OF 11
$\nabla = 0$					33482		

SHEET DESCRIPTION
SCHLEMMER BACKSHELL CONFIGURATIONS

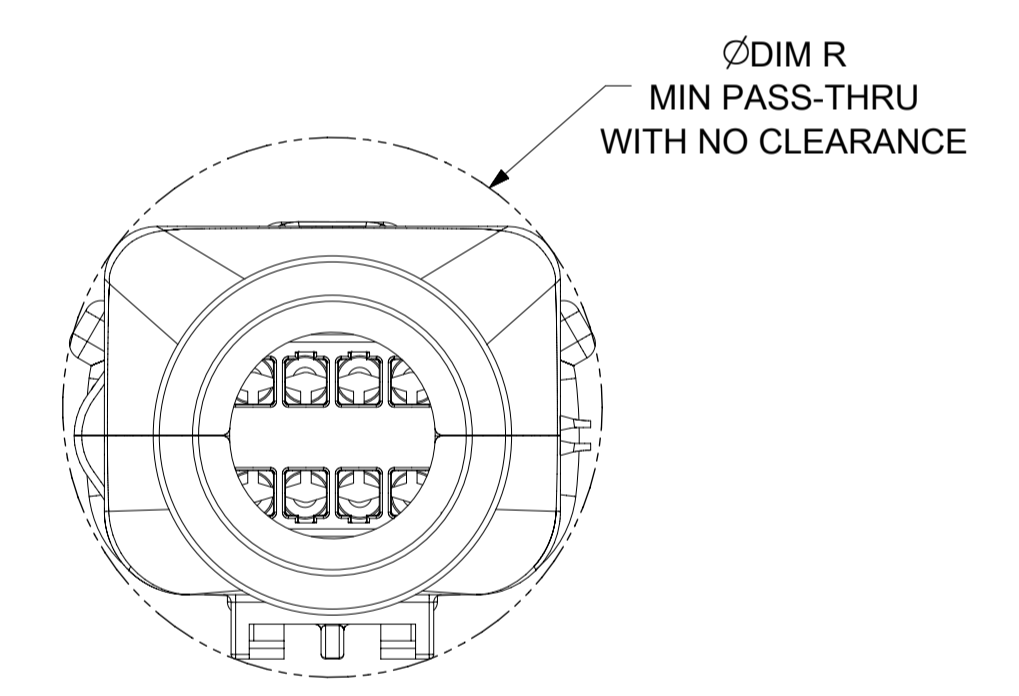
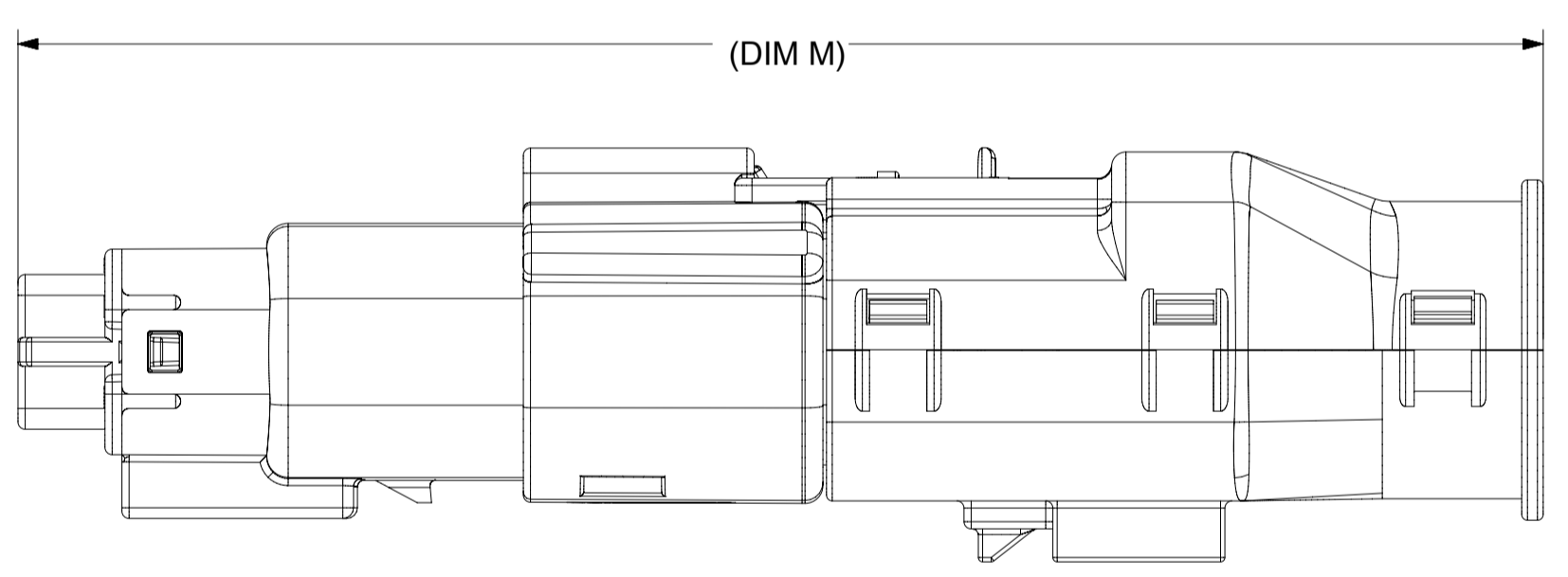
CKT	BLADE CONFIGURATION	RECEPTACLE CONFIGURATION	DIMENSIONS				
			M	N	P	R	T
2X3	STANDARD	STANDARD	106.83	32.75	31.75	29.00	29.50
	LENGTHENED		108.71				
2X4	STANDARD	STANDARD	106.83	33.50	31.90	30.70	30.70
2X6	STANDARD	STANDARD	106.83	37.84	37.27	35.83	36.83



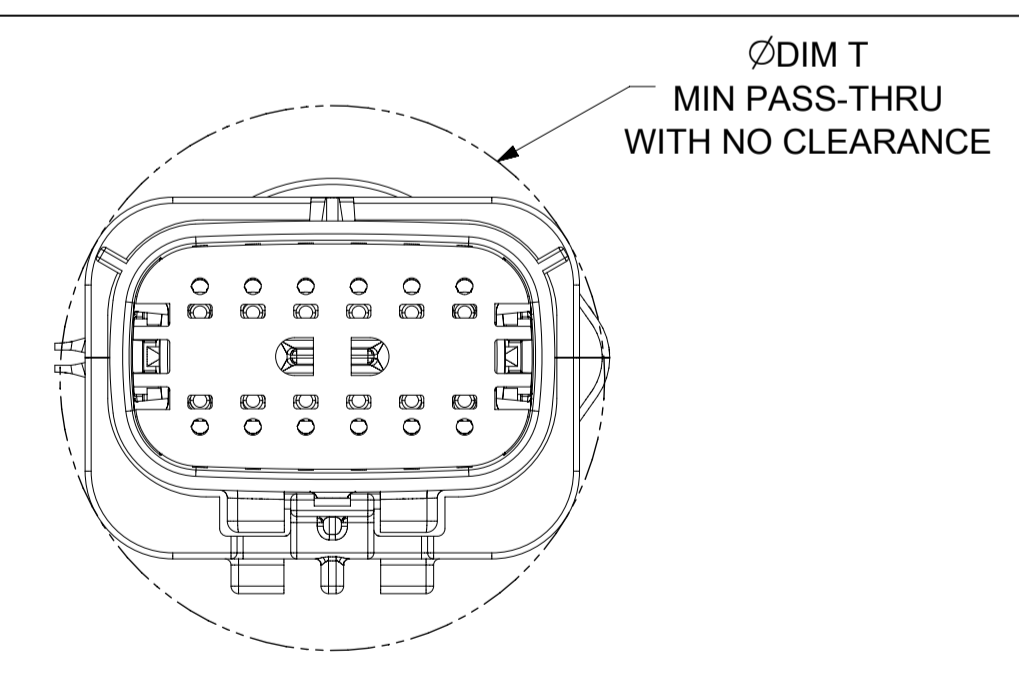
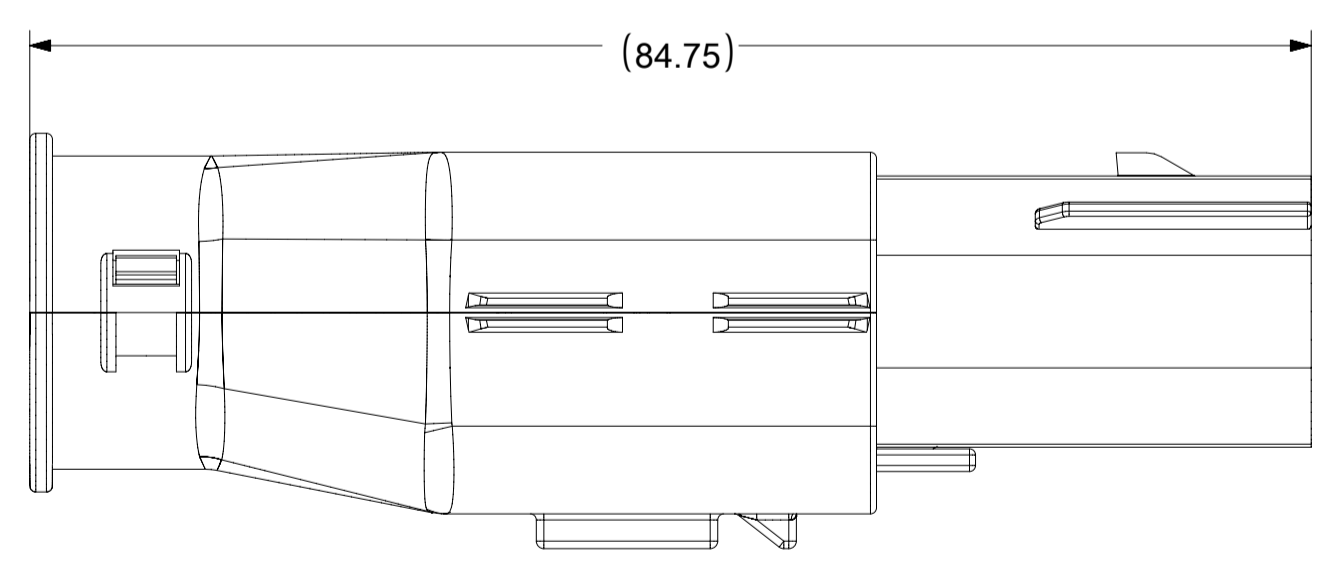
OVERALL MATED SYSTEM WITH BLADE AND RECEPTACLE BACKSHELL



OVERALL MATED SYSTEM WITH BLADE BACKSHELL



OVERALL MATED SYSTEM WITH RECEPTACLE BACKSHELL



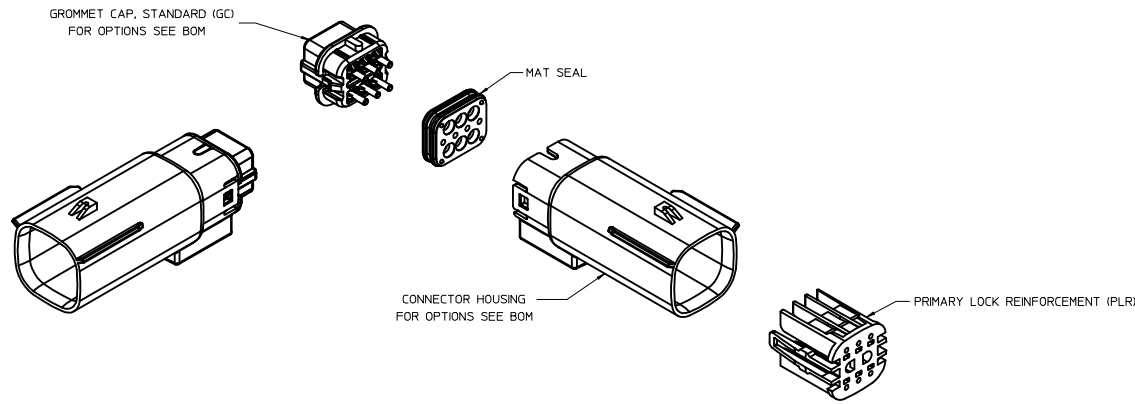
BLADE SEALED ASSEMBLY WITH BLADE BACKSHELL

SYMBOLS THIS DRAWING CONTAINS INFORMATION THAT IS PROPRIETARY TO MOLEX ELECTRONIC TECHNOLOGIES, LLC AND SHOULD NOT BE USED WITHOUT WRITTEN PERMISSION DIMENSION UNITS: mm SCALE: 2:1 GENERAL TOLERANCES (UNLESS SPECIFIED): ANGULAR TOL: ± 1.0° 4 PLACES: ± 3 PLACES: ± 2 PLACES: ± 0.1 1 PLACE: ± 0.2 0 PLACES: ± DRAFT WHERE APPLICABLE MUST REMAIN WITHIN DIMENSIONS	CURRENT REV DESC:		 MX150 BLADE DUAL ROW SEALED ASSEMBLY MAT SEAL
	EC NO: 171650 DRWN: PMANJUNATHAC 2018/01/03 CHK'D: MVANSLAMBROU 2018/02/16 APPR: MVANSLAMBROU 2018/02/16		
INITIAL REVISION:		DOCUMENT NUMBER	DOC TYPE DOC PART REVISION
DRWN: APROFFITT 2014/04/28 APPR: VKOSHY 2014/05/14		SD-33482-0001	PSD 001 E2
THIRD ANGLE PROJECTION		DRAWING	SHEET NUMBER
		A1-SIZE	10 OF 11
SERIES		CUSTOMER	
33482		GENERAL MARKET	

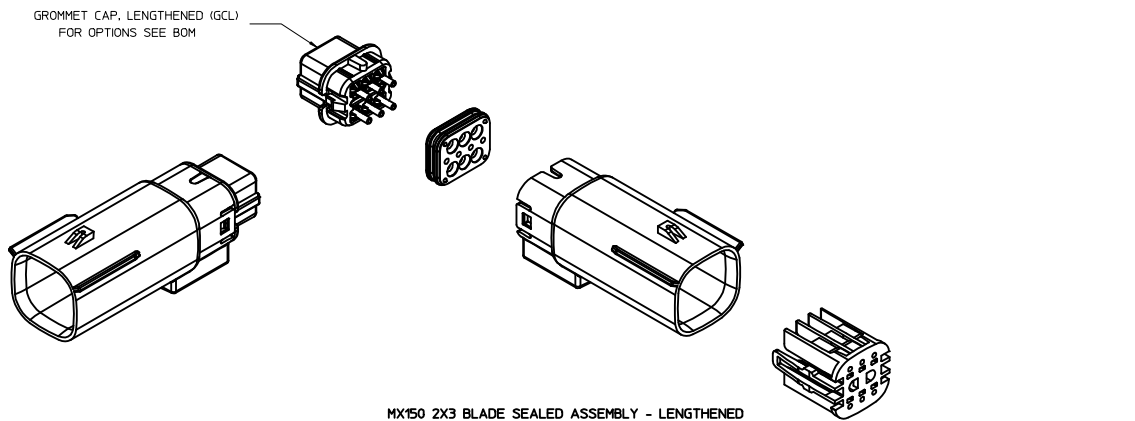
TABLE OF CONTENTS	
SHEET NO.	SHEET DESCRIPTION
1	NOTES
2	KEY CONFIGURATIONS
3	BLADE SEALED ASSEMBLY
4	SYSTEM PACKAGING
5	BACKSHELL NOTES
6	BACKSHELL
7	BACKSHELL CONFIGURATIONS
8	BOM

NOTES: VALID UNLESS OTHERWISE SPECIFIED

1. GENERAL:
 - a. APPLICATION SPECIFICATION SEE: AS-33472-100
 CONTAINS: PRODUCT INTRODUCTION, PRODUCT SUMMARY, CONNECTOR ASSEMBLY, PACKAGING INFORMATION, CONNECTOR MATING, SERVICE INSTRUCTIONS, ELECTRICAL CONTINUITY CHECKING, CRIMPING, AND TROUBLESHOOTING.
 -DESIGNED TO MATE WITH RECEPTACLE SEALED ASSEMBLY SPECIFIED IN MOLEX CHARTED DRAWING SD-33472-061 AND SD-33472-071.
 -FOR 1.5mm BLADE TERMINALS TO BE USED WITH THIS ASSEMBLY SEE MOLEX DRAWING SD-33000-001
 - SYSTEM TO BE USED WITH WIRE WITHIN DIAMETER RANGE OF 1.2mm TO 2.69mm.
 -ASSEMBLY SHIPPED WITH PLR IN PRE-LOCK POSITION
 -IN THE EVENT THAT THE PLR IS FOUND IN THE SEATED (FINAL LOCK) POSITION, REFER TO MOLEX SPECIFICATION PS-34646-001, AVAILABLE AT www.molex.com <<http://www.molex.com>>
 -ASSEMBLY CONFORMS TO SAE/USCAR-2 REV.4 WITH THE FOLLOWING EXCEPTIONS: TERMINAL INSERTION FORCE FOR WIRE DIAMETER ABOVE 2.5mm NOT EXCEEDING 2.69mm SHALL NOT EXCEED 45 NEWTONS.
 - b. PRODUCT SPECIFICATION SEE: PS-33472-000
 CONTAINS: PRODUCT INTRODUCTION, PRODUCT SUMMARY, AND PRODUCT VALIDATION.
 - c. PACKAGING SPECIFICATION PER MOLEX DRAWING: PK-31300-435
 - d. PARTS MUST BE IN COMPLIANCE TO MOLEX CHEMICAL SUBSTANCES FOR PRODUCTS AND PACKAGING SPECIFICATION: ES-40000-5016
 - e. DATA MUST BE SUBMITTED UNDER THE MOLEX PART NUMBER TO IMDS (COMPANY ID#13255)
2. DESIGN - MATERIALS:
 - a. SEE BOM TABLE
3. DESIGN - GEOMETRY:
 - a. THIS IS A 100% CAD GENERATED PART. THE CAD MATHEMATICAL DATA IS THE MASTER FOR THIS PART. FOR DIMENSIONAL OR ANY INFORMATION NOT SHOWN ON THIS DRAWING, ANALYZE THE CAD MODEL.
 - b. GEOMETRIC DIMENSIONS AND TOLERANCES PER ASME Y14.5M - 1994
 - c. EDGES AND UNDIMENSIONED DETAILS PER ISO13715
 - d. CORNERS SHOWN AS SHARP TO BE R 0.2 MAX.
 - e. LETTERING SHALL BE 0.15 MAX RAISED IN 0.25 MAX RECESS PAD. THIS INCLUDES RECYCLING CODE, CAVITY ID, VENDOR IDENTIFICATION, AND CUSTOMER MATERIAL NUMBER.
 - f. VISUAL DEFECTS SHALL MEET COSMETIC STANDARD PS-45499-002 (Class B).
 - g. LASER MARKING: TBD



MX150 2X3 BLADE SEALED ASSEMBLY - STANDARD (STD)



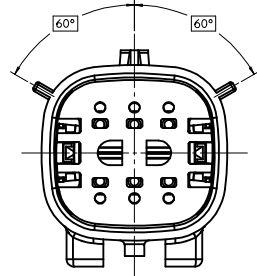
MX150 2X3 BLADE SEALED ASSEMBLY - LENGTHENED
UNLESS COMPONENT NOTED, SEE STANDARD ASSEMBLY

INSPECTION NUMBER LOG
LAST NUMBER USED: 5
ADDED:
REMOVED: 2

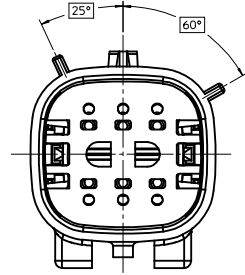
AB	ADD NEW P/N 33482-0653
AA10	UPDATED STATUS AND COMMENTS COLUMNS
AA9	ADD NEW P/N 33482-0652
AA8	ADD NEW P/N 33482-0650 33482-0651
AA7	ADD NEW P/N 33482-0649
AA6	ADD NEW P/N 33482-0648
AA5	ADD NEW P/N 33482-0646 33482-0647
AA4	ADD NEW P/N 33482-0645
AA3	ADD NEW P/N 33482-0644
AA2	CHANGE PART NUMBER STATUS ADD NEW P/N 33482-0641 33482-0642 33482-0643
REV	DESCRIPTION

REVISED DEC NO. 2016/03/07 DRAWN BY: AB CHKD: APPR: JDENG02 DESCRIPTION:	QUALITY SYMBOLS ∇=0 ∇=0 ∇=0	GENERAL TOLERANCES (UNLESS SPECIFIED) mm INCH 4 PLACES ± --- ± --- 3 PLACES ± 0.10 ± --- 2 PLACES ± 0.3 ± --- 1 PLACE ± ± --- 0 PLACE ± ±	DIMENSION STYLE MM ONLY DRAWN BY: MDICK DATE: 2011/07/22 CHECKED BY: MDICK DATE: 2011/12/19 APPROVED BY:	SCALE 2:1 DESIGN UNITS METRIC THIRD ANGLE PROJECTION	TITLE MX150 2X3 BLADE SEALED ASSEMBLY MAT SEAL molex	MATERIAL NO. SEE BOM	DOCUMENT NO. SD-33482-061	SHEET NO. 1 OF 9	
	ANGLUAR ± 3 ° DRAFT WHERE APPLICABLE MUST REMAIN WITHIN DIMENSIONS		SIZE D THIS DRAWING CONTAINS INFORMATION THAT IS PROPRIETARY TO MOLEX INCORPORATED AND SHOULD NOT BE USED WITHOUT WRITTEN PERMISSION						

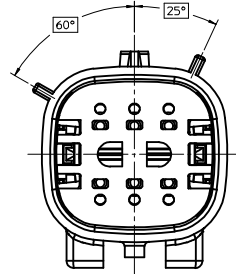
KEY CONFIGURATIONS



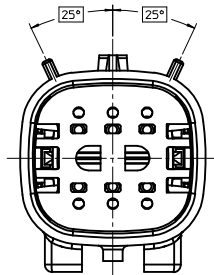
KEY A



KEY B



KEY C

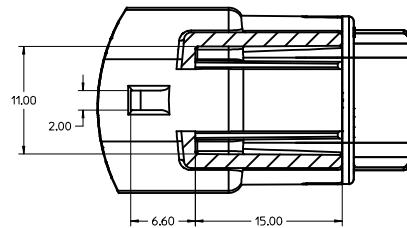
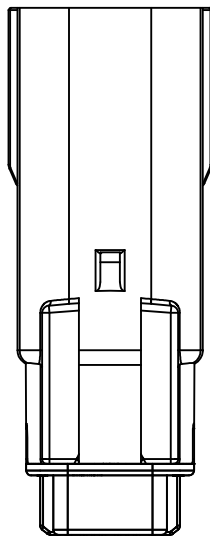
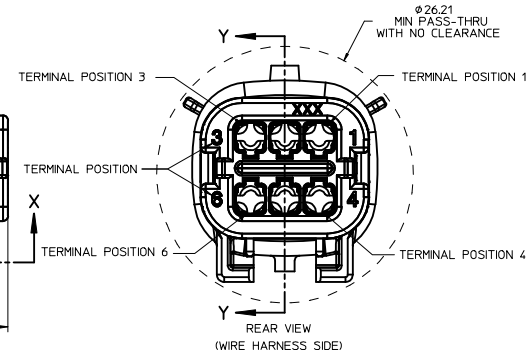
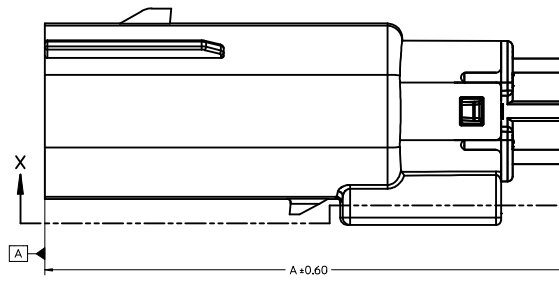
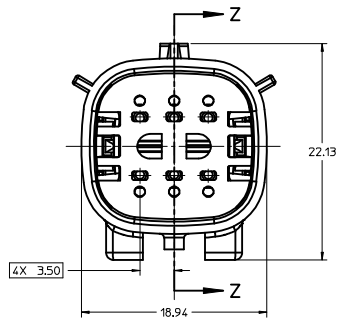
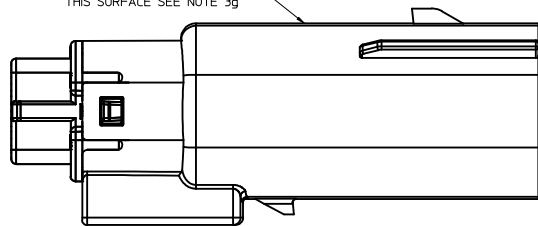


KEY D

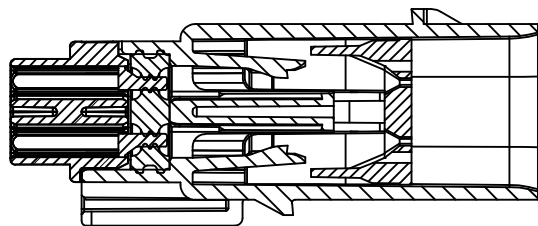
REVISED DEC NO. UAU2016-1297 DRAWN BY CHYK APPR: JDENG02 2016/03/07 AB	QUALITY SYMBOLS	GENERAL TOLERANCES (UNLESS SPECIFIED)	DIMENSION STYLE	SCALE	DESIGN UNITS	THIRD ANGLE PROJECTION
	▽=0	mm INCH	MM ONLY	4:1	METRIC	☉
	▽=0	4 PLACES ± --- ± ---	DRAWN BY DATE	TITLE		
	▽=0	3 PLACES ± --- ± ---	MDICK 2011/07/22	MX150 2X3 BLADE SEALED ASSEMBLY MAT SEAL		
▽=0	2 PLACES ± 0.10 ± ---	CHECKED BY DATE	MATERIAL NO. DOCUMENT NO.			
▽=0	1 PLACE ± 0.3 ± ---	MDICK 2011/12/19	SEE BOM SD-33482-061			
▽=0	0 PLACE ± ±	APPROVED BY DATE	SHEET NO.			
	ANGULAR ± 3 °		2 OF 9			
	DRAFT WHERE APPLICABLE MUST REMAIN WITHIN DIMENSIONS		THIS DRAWING CONTAINS INFORMATION THAT IS PROPRIETARY TO MOLEX INCORPORATED AND SHOULD NOT BE USED WITHOUT WRITTEN PERMISSION			

BLADE SEALED ASSEMBLY

OPTIONAL LASER MARKING ON THIS SURFACE SEE NOTE 3g

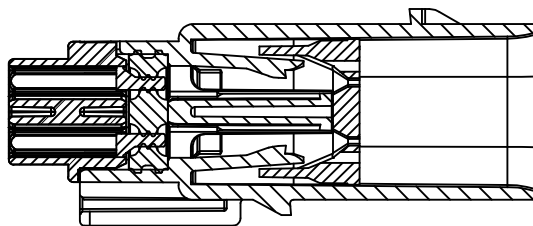


Partial X-X
SCALE 4:1



PRIMARY LOCK REINFORCEMENT (PLR) SHOWN
IN PRE-STAGED POSITION

SECTION Z-Z



PRIMARY LOCK REINFORCEMENT (PLR) SHOWN
IN FINAL-LOCK POSITION

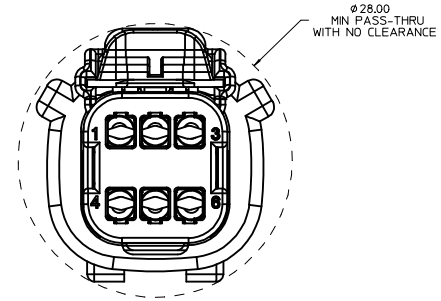
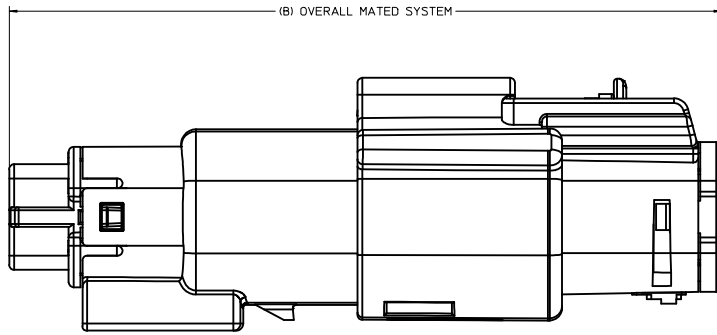
SECTION Y-Y

CHARTED DIMENSIONS	
CONFIGURATION	A
MX150 2X3 BLADE SEALED ASSEMBLY - STANDARD	53.85
MX150 2X3 BLADE SEALED ASSEMBLY - LENGTHENED	55.85

REVISED IEC NO. UAU2016-1297 DRAWN BY CHYK APPR: JENGGZ 2016/03/07 2016/03/07 AB	QUALITY SYMBOLS	GENERAL TOLERANCES (UNLESS SPECIFIED)	DIMENSION STYLE	SCALE	DESIGN UNITS	THIRD ANGLE PROJECTION	
	∇=0 ∇=0 ∇=0	mm INCH 4 PLACES ± ± 3 PLACES ± ± 2 PLACES ±0.10 ± 1 PLACE ±0.3 ± 0 PLACE ± ±	MM ONLY	4:1	METRIC	DRAWN BY DATE MDICK 2011/07/22 CHECKED BY DATE MDICK 2011/12/19 APPROVED BY DATE	MX150 2X3 BLADE SEALED ASSEMBLY MAT SEAL molex
	ANGULAR ± 3 ° DRAFT WHERE APPLICABLE MUST REMAIN WITHIN DIMENSIONS	MATERIAL NO.	DOCUMENT NO.	SHEET NO.			
	SEE BOM SD-33482-061 3 OF 9	THIS DRAWING CONTAINS INFORMATION THAT IS PROPRIETARY TO MOLEX INCORPORATED AND SHOULD NOT BE USED WITHOUT WRITTEN PERMISSION					

20 19 18 17 16 15 14 13 12 11 10 9 8 7 6 5 4 3 2 1

SYSTEM PACKAGING



CHARTED DIMENSIONS	
CONFIGURATION	B
MX150 2X3 BLADE SEALED ASSEMBLY - STANDARD	72.78
MX150 2X3 BLADE SEALED ASSEMBLY - LENGTHENED	74.79

CHARTED DIMENSIONS	
CONFIGURATION	C
MX150 2X3 RECEPTACLE SEALED ASSEMBLY WITHOUT CLIPSLLOT	30.50
MX150 2X3 RECEPTACLE SEALED ASSEMBLY WITH CLIPSLLOT	28.00

REVISED IEC NO. UAU2016-1297 DRAWN BY CHYK APPR: JDENG02 2016/03/07 2016/03/07 DESCRIPTION	QUALITY SYMBOLS	GENERAL TOLERANCES (UNLESS SPECIFIED)	DIMENSION STYLE	SCALE	DESIGN UNITS	THIRD ANGLE PROJECTION
	▽=0	4 PLACES ± mm ± INCH	MM ONLY	4:1	METRIC	☉
	▽=0	3 PLACES ± 0.10 ± ---	DRAWN BY DATE			
	▽=0	2 PLACES ± 0.3 ± ---	CHECKED BY DATE			
		1 PLACE ± --- ± ---	APPROVED BY DATE			
		0 PLACE ± --- ± ---	MATERIAL NO.			
		ANGULAR ± 3 °	SEE BOM			
		DRAFT WHERE APPLICABLE MUST REMAIN WITHIN DIMENSIONS	SIZE D			
			THIS DRAWING CONTAINS INFORMATION THAT IS PROPRIETARY TO MOLEX INCORPORATED AND SHOULD NOT BE USED WITHOUT WRITTEN PERMISSION			

MX150 2X3 BLADE SEALED ASSEMBLY MAT SEAL

molex

SD-33482-061

SHEET NO. 4 OF 9

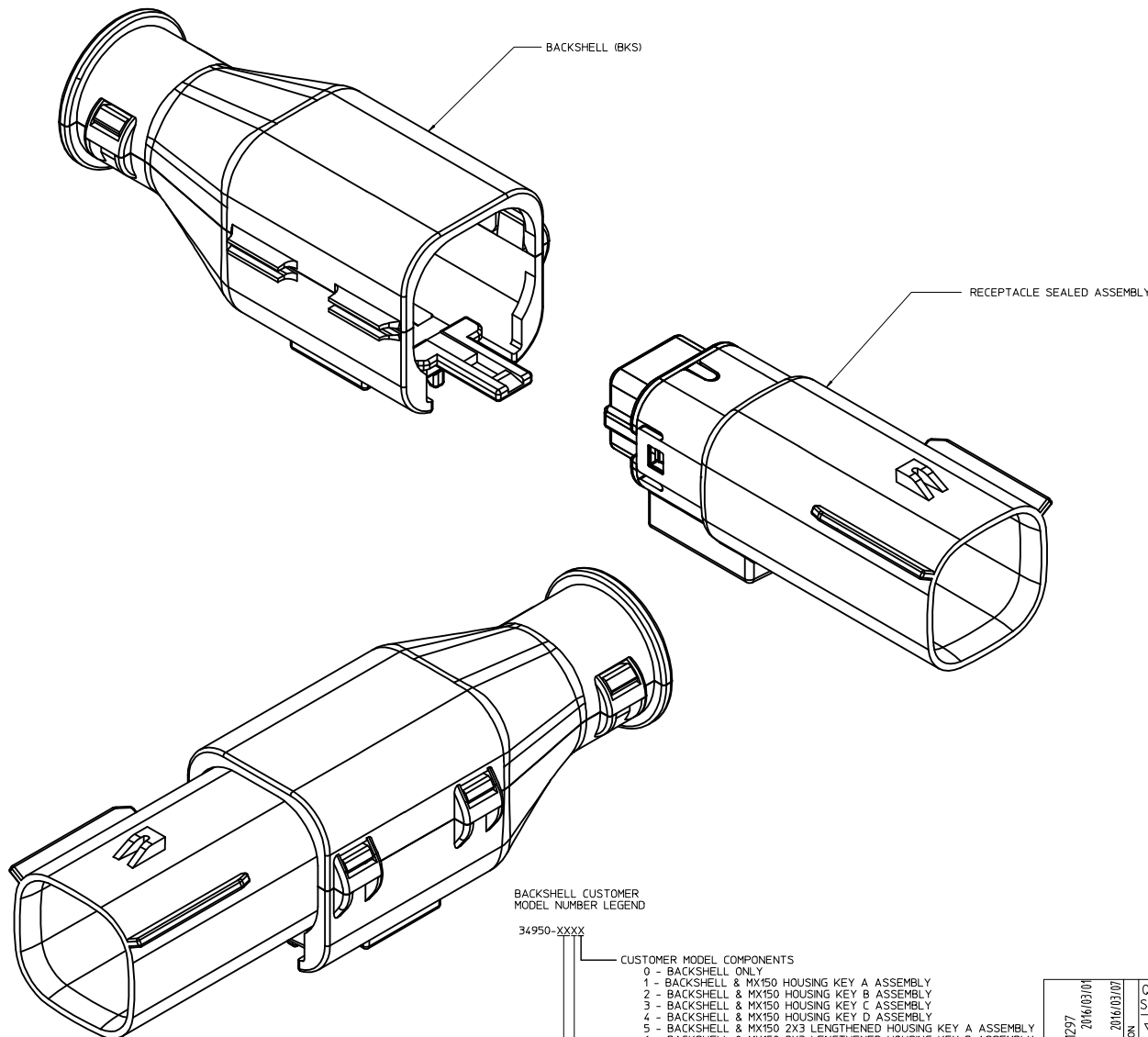
19 18 17 16 15 14 13 12 11 10 9 8 7 6 5 4 3 2 1

BACKSHELL NOTES

BACKSHELL NOTES: VALID UNLESS OTHERWISE SPECIFIED

1. GENERAL:

- a. APPLICATION SPECIFICATION SEE: AS-34951-001
- DESIGNED TO MATE WITH BLADE SEALED ASSEMBLY SPECIFIED IN MOLEX DRAWING SD-33482-061.
- SYSTEM TO BE USED WITH WIRE WITHIN DIAMETER RANGE OF 1.2mm TO 2.69mm.
- COMPONENTS ARE OPTIONAL AND MUST BE PURCHASED SEPARATELY
- BACKSHELL DESIGN IS OWNED BY SCHLEMMER
- FOR ADDITIONAL INFORMATION SEE THE BACKSHELL COMPONENT DRAWING SD-34950-0001.



BACKSHELL CUSTOMER MODEL NUMBER LEGEND

34950-XXXX

CUSTOMER MODEL COMPONENTS

- 0 - BACKSHELL ONLY
- 1 - BACKSHELL & MX150 HOUSING KEY A ASSEMBLY
- 2 - BACKSHELL & MX150 HOUSING KEY B ASSEMBLY
- 3 - BACKSHELL & MX150 HOUSING KEY C ASSEMBLY
- 4 - BACKSHELL & MX150 HOUSING KEY D ASSEMBLY
- 5 - BACKSHELL & MX150 2X3 LENGTHENED HOUSING KEY A ASSEMBLY
- 6 - BACKSHELL & MX150 2X3 LENGTHENED HOUSING KEY B ASSEMBLY
- 7 - BACKSHELL & MX150 2X3 LENGTHENED HOUSING KEY C ASSEMBLY
- 8 - BACKSHELL & MX150 2X3 LENGTHENED HOUSING KEY D ASSEMBLY

BACKSHELL FEATURES

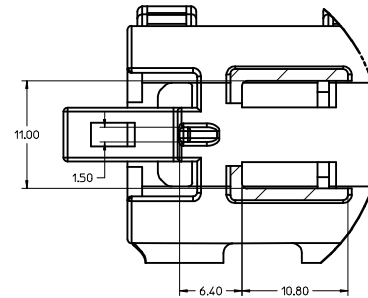
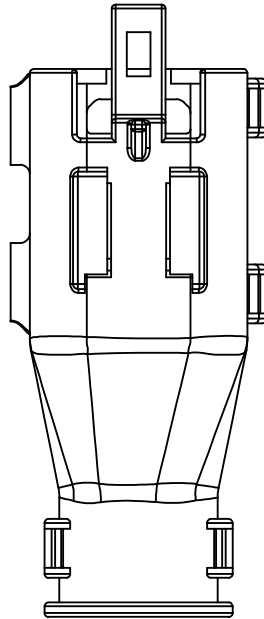
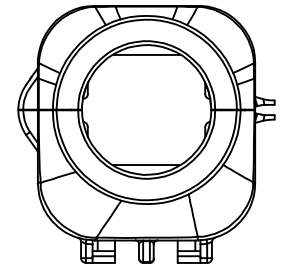
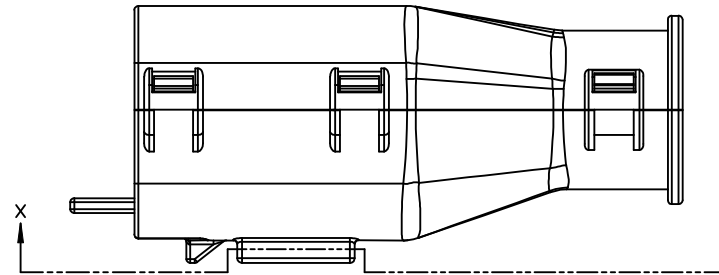
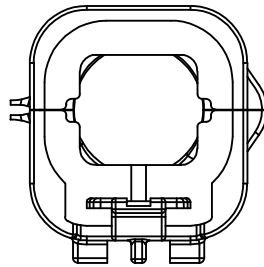
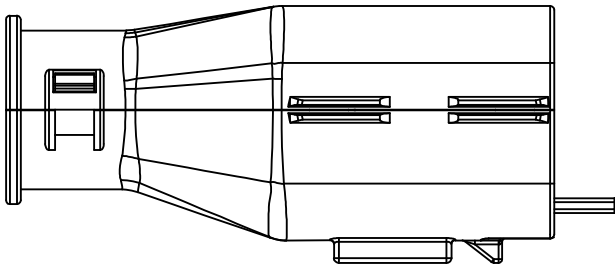
- 1 - WITH RIBS
- 2 - WITHOUT RIBS

MX150 CIRCUIT SIZE 04, 06, 08, 12, 16, 20

REVISED IEC NO. UAU2016-1297 DRAWN BY CHYK APPR: JENGG02 2016/03/07 2016/03/07 2016/03/07 AB	QUALITY SYMBOLS ▽=0 ▽=0 ▽=0	GENERAL TOLERANCES (UNLESS SPECIFIED)		DIMENSION STYLE MM ONLY	SCALE 4:1	DESIGN UNITS METRIC	THIRD ANGLE PROJECTION
		4 PLACES ± mm ± INCH 3 PLACES ± --- ± --- 2 PLACES ± 0.10 ± --- 1 PLACE ± 0.3 ± --- 0 PLACE ± ±	DRAWN BY MDICK DATE 2011/07/22	CHECKED BY MDICK DATE 2011/12/19	APPROVED BY DATE	MATERIAL NO. SEE BOM	DOCUMENT NO. SD-33482-061
DRAFT WHERE APPLICABLE MUST REMAIN WITHIN DIMENSIONS		ANGULAR ± 3 °		THIS DRAWING CONTAINS INFORMATION THAT IS PROPRIETARY TO MOLEX INCORPORATED AND SHOULD NOT BE USED WITHOUT WRITTEN PERMISSION			

20 19 18 17 16 15 14 13 12 11 10 9 8 7 6 5 4 3 2 1

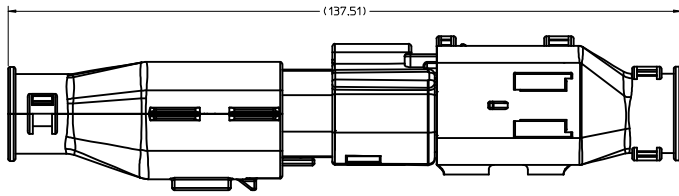
BACKSHELL
THE VIEWS ON THIS SHEET ARE
IN THE CLOSED UN-ASSEMBLED POSITION



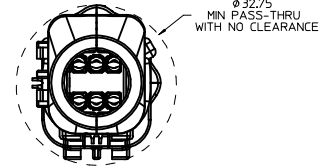
Partial X-X
SCALE 4:1

REVISED IEC NO. UAU2016-1297 DRAWN BY CHKD: APPR: JDENG02 2016/03/01 2016/03/07 DESCRIPTION AB	QUALITY SYMBOLS	GENERAL TOLERANCES (UNLESS SPECIFIED)	DIMENSION STYLE	SCALE	DESIGN UNITS	THIRD ANGLE PROJECTION
	∇=0 ∇=0 ∇=0	mm INCH 4 PLACES ± --- ± --- 3 PLACES ± --- ± --- 2 PLACES ± 0.10 ± --- 1 PLACE ± 0.3 ± --- 0 PLACE ± ±	MM ONLY	4:1	METRIC	DRAWN BY DATE MD LCK 2011/07/22 CHECKED BY DATE MD LCK 2011/12/19 APPROVED BY DATE
ANGULAR ± 3 ° DRAFT WHERE APPLICABLE MUST REMAIN WITHIN DIMENSIONS			MATERIAL NO. SEE BOM		DOCUMENT NO. SD-33482-061	
SIZE D THIS DRAWING CONTAINS INFORMATION THAT IS PROPRIETARY TO MOLEX INCORPORATED AND SHOULD NOT BE USED WITHOUT WRITTEN PERMISSION						SHEET NO. 6 OF 9

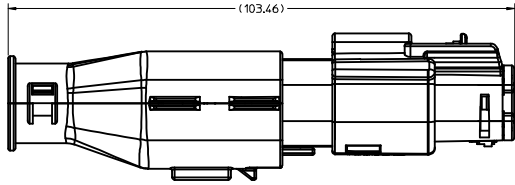
19 18 17 16 15 14 13 12 11 10 9 8 7 6 5 4 3 2 1



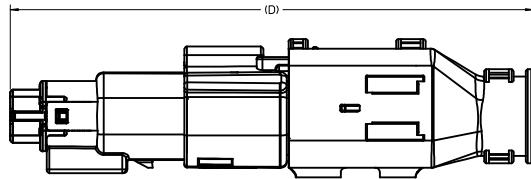
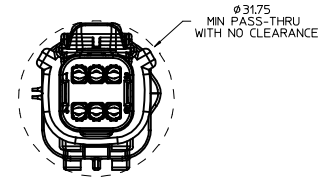
OVERALL MATED SYSTEM WITH BLADE AND RECEPTACLE BACKSHELL



BACKSHELL CONFIGURATIONS

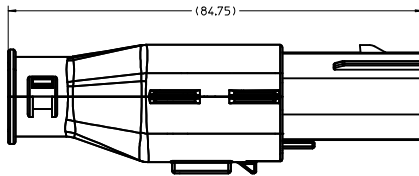
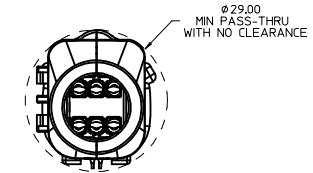


OVERALL MATED SYSTEM WITH BLADE BACKSHELL

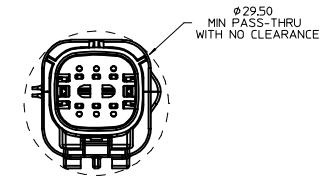


OVERALL MATED SYSTEM WITH RECEPTACLE BACKSHELL

CHARTED DIMENSIONS	
CONFIGURATION	D
MX150 2X3 BLADE SEALED ASSEMBLY - STANDARD	106.83
MX150 2X3 BLADE SEALED ASSEMBLY - LENGTHENED	108.71



BLADE SEALED ASSEMBLY WITH BLADE BACKSHELL



REVISED IEC NO. UAU2016-1297 DRAWN BY CHKD: APPR: JDENG02 2016/03/07 2016/03/07 DESCRIPTION	QUALITY SYMBOLS	GENERAL TOLERANCES (UNLESS SPECIFIED)	DIMENSION STYLE	SCALE	DESIGN UNITS	THIRD ANGLE PROJECTION
	$\nabla=0$ $\nabla=0$ $\nabla=0$	mm INCH 4 PLACES ± --- ± --- 3 PLACES ± --- ± --- 2 PLACES ± 0.10 ± --- 1 PLACE ± 0.3 ± --- 0 PLACE ± ±	MM ONLY	2:1	METRIC	
	DRAWN BY DATE MD LCK 2011/07/22 CHECKED BY DATE MD LCK 2011/12/19 APPROVED BY DATE	MATERIAL NO. SEE BOM DOCUMENT NO. SD-33482-061	TITLE MX150 2X3 BLADE SEALED ASSEMBLY MAT SEAL molex	SHEET NO.	7 OF 9	
	DRAFT WHERE APPLICABLE MUST REMAIN WITHIN DIMENSIONS SIZE D	THIS DRAWING CONTAINS INFORMATION THAT IS PROPRIETARY TO MOLEX INCORPORATED AND SHOULD NOT BE USED WITHOUT WRITTEN PERMISSION				

ASSEMBLY DESCRIPTION	ASSEMBLY PART NUMBER	A	B	C	D	C	D	GC	GCL	1	2	3	4	5	6	STATUS	COMMENTS	BACKSHELL WITH RIBS	BACKSHELL WITHOUT RIBS
KEY D, STONE GRAY	33482-0643							D	GC				3	4					
KEY C, DARK GRAY	33482-0642							C	GC				3	4					
KEY D, STONE GRAY	33482-0641							D	GC				3						
KEY A, BLACK	33482-0640	A							GC				4						
KEY A W/ LENGTHENED CAP, BLACK	33482-0639	A							GCL	1	2	3	4	5	6				
KEY C, DARK GRAY	33482-0638							C	GC				3						
KEY A, BLACK	33482-0637	A							GC			2			6				
KEY A W/ LENGTHENED CAP, BLACK	33482-0636	A							GCL				3						
KEY C W/ LENGTHENED CAP, DARK GRAY	33482-0635							C	GC				3						
KEY D W/ LENGTHENED CAP, STONE GRAY	33482-0634							D	GC										
KEY C W/ LENGTHENED CAP, DARK GRAY	33482-0633							C	GC										
KEY B W/ LENGTHENED CAP, LIGHT GRAY	33482-0632		B						GCL										
KEY A W/ LENGTHENED CAP, BLACK	33482-0631	A							GCL										
KEY A, BLACK	33482-0630	A							GC				3		6				
KEY D, STONE GRAY	33482-0629							D	GC										
KEY C, DARK GRAY	33482-0628							C	GC										
KEY A, BLACK	33482-0627	A							GC			2	3		5	6			
KEY A, BLACK	33482-0626	A							GC	1	2	3	4						
KEY B, LIGHT GRAY	33482-0625		B						GC	1				5					
KEY A, BLACK	33482-0624	A							GC						6				
KEY A, BLACK	33482-0623	A							GC					5					
KEY A, BLACK	33482-0622	A							GC				4	5	6				
KEY A, BLACK	33482-0621	A							GC	1				4	5				
KEY A, BLACK	33482-0620	A							GC	1	2	3	4	5	6				
KEY A, BLACK	33482-0619	A							GC			2	3	4	5				
KEY A, BLACK	33482-0618	A							GC					5	6				
KEY A, BLACK	33482-0617	A							GC			2							
KEY A, BLACK	33482-0616	A							GC				3						
VOID KEY	33482-0615																		
KEY D, GREEN	33482-0614							D	GC				3	4					
KEY C, BROWN	33482-0613							C	GC				3	4					
KEY B, LIGHT GRAY	33482-0612		B						GC				3	4					
KEY A, BLACK	33482-0611	A							GC				3	4					
VOID KEY	33482-0610																		
KEY D, GREEN	33482-0609							D	GC				3						
KEY C, BROWN	33482-0608							C	GC				3						
KEY B, LIGHT GRAY	33482-0607		B						GC				3						
KEY A, BLACK	33482-0606	A							GC				3						
VOID KEY	33482-0605																		
KEY D, GREEN	33482-0604							D	GC										
KEY C, BROWN	33482-0603							C	GC										
KEY B, LIGHT GRAY	33482-0602		B						GC										
KEY A, BLACK	33482-0601	A							GC										
ASSEMBLY DESCRIPTION	ASSEMBLY PART NUMBER	A	B	C	D	C	D	GC	GCL	1	2	3	4	5	6				

PLANNED OBSOLESCECE
SEE DRAWING SD-33482-0002
FOR REPLACEMENT P/N

REPLACEMENT P/N'S ARE:
33482-06XX TO 33482-36XX

34950-0610

34950-0620

BLOCKED TERMINAL
CAVITY WITH A NUMBER INDICATES BLOCKED TERMINAL POSITION
CAVITY WITHOUT A NUMBER INDICATES OPEN TERMINAL POSITION

STATUS

COMMENTS

BACKSHELL WITH RIBS

BACKSHELL WITHOUT RIBS

OPTIONAL ATTACHMENTS
SOLD SEPARATELY

STANDARD PLR	NATURAL	SPS/NYLON GF20
MAT SEAL	BURNT ORANGE	INHERENTLY LUBRICATED SILICONE
GROMMET CAP, LENGTHENED	BLACK	SPS/NYLON GF20
GROMMET CAP, STANDARD	BLACK	SPS/NYLON GF20
HOUSING KEYING OPTION D	STONE GRAY	SPS/NYLON GF20
HOUSING KEYING OPTION C	DARK GRAY	SPS/NYLON GF20
HOUSING KEYING OPTION D	GREEN	SPS/NYLON GF20
HOUSING KEYING OPTION C	BROWN	SPS/NYLON GF20
HOUSING KEYING OPTION B	LIGHT GRAY	SPS/NYLON GF20
HOUSING KEYING OPTION A	BLACK	SPS/NYLON GF20
DESCRIPTION	COLOR	MATERIAL

BOM/APPLICABLE COMPONENTS TABLE

ABREVIATION	COMPONENT
A	HOUSING KEY A
B	HOUSING KEY B
C	HOUSING KEY C
D	HOUSING KEY D
GC	GROMMET CAP, STANDARD
GCL	GROMMET CAP, LENGTHENED
M	MAT SEAL
P	PLR, STANDARD
BKS	BACKSHELL

REVISED EEC NO. UAU2016-1297 DRAWN BY CHYK APPR: J0EN02 2016/03/07 DESCRIPTION AB	QUALITY SYMBOLS	GENERAL TOLERANCES (UNLESS SPECIFIED)	DIMENSION STYLE	SCALE	DESIGN UNITS	THIRD ANGLE PROJECTION
	▽=0	4 PLACES ± mm	MM ONLY	DATE	METRIC	☉
	▽=0	3 PLACES ± 0.10	INCH	2011/07/22		
	▽=0	2 PLACES ± 0.3		DATE		
		0 PLACE ±		APPROVED BY		
		ANGULAR ± 3 °	MATERIAL NO.	DATE	DOCUMENT NO.	SHEET NO.
		DRAFT WHERE APPLICABLE MUST REMAIN WITHIN DIMENSIONS	SEE BOM	2011/12/19	SD-33482-061	8 OF 9
			SIZE D	THIS DRAWING CONTAINS INFORMATION THAT IS PROPRIETARY TO MOLEX INCORPORATED AND SHOULD NOT BE USED WITHOUT WRITTEN PERMISSION		

MX150 2X3 BLADE
SEALED ASSEMBLY
MAT SEAL

molex

ASSEMBLY DESCRIPTION	ASSEMBLY PART NUMBER	A	B	C	D	C	D	A	GC	GCL	1	2	3	4	5	6	STATUS	COMMENTS	BACKSHELL WITH RIBS	BACKSHELL WITHOUT RIBS											
KEY A, BLACK	33482-0653	A							GC			2			5		PLANNED OBSOLESCENCE SEE DRAWING SD-33482-0002 FOR REPLACEMENT P/N	REPLACEMENT P/N'S ARE: 33482-06XX TO 33482-36XX	34950-0610	34950-0620											
KEY A, BLACK	33482-0652	A							GC		1				6																
KEY A, BLACK	33482-0651	A							GC			2		4	6																
KEY A, BLACK	33482-0650	A							GC		1		3	5																	
KEY A, BLACK	33482-0649	A							GC					4	6																
KEY C, DARK GRAY	33482-0648				C				GC						6																
KEY B, LIGHT GRAY	33482-0647		B						GC			2	3																		
KEY A, BLACK	33482-0646	A							GC			2	3																		
KEY A, BLACK	33482-0645	A							GC				3	4	5	6															
KEY A, YELLOW	33482-0644	A						A	GC																						
		A	B	C	D	C	D	A	GC	GCL	1	2	3	4	5	6															
		BLOCKED TERMINAL										STATUS					COMMENTS					BACKSHELL WITH RIBS					BACKSHELL WITHOUT RIBS				
		CAVITY WITH A NUMBER INDICATES BLOCKED TERMINAL POSITION										CAVITY WITHOUT A NUMBER INDICATES OPEN TERMINAL POSITION										OPTIONAL ATTACHMENTS SOLD SEPARATELY									

STANDARD PLR	NATURAL	SPS/NYLON GF20
MAT SEAL	BURNT ORANGE	INHERENTLY LUBRICATED SILICONE
GROMMET CAP, LENGTHENED	BLACK	SPS/NYLON GF20
GROMMET CAP, STANDARD	BLACK	SPS/NYLON GF20
HOUSING KEYING OPTION A	YELLOW	SPS/NYLON GF20
HOUSING KEYING OPTION D	STONE GRAY	SPS/NYLON GF20
HOUSING KEYING OPTION C	DARK GRAY	SPS/NYLON GF20
HOUSING KEYING OPTION D	GREEN	SPS/NYLON GF20
HOUSING KEYING OPTION C	BROWN	SPS/NYLON GF20
HOUSING KEYING OPTION B	LIGHT GRAY	SPS/NYLON GF20
HOUSING KEYING OPTION A	BLACK	SPS/NYLON GF20
DESCRIPTION	COLOR	MATERIAL
BOM/APPLICABLE COMPONENTS TABLE		

ENTER DESCRIPTION IEC NO. UAU2016-1297 DRAWN BY: 2016/03/07 CHKD: 2016/03/07 APPR: JDEMOZ REVISION: AB	QUALITY SYMBOLS	GENERAL TOLERANCES (UNLESS SPECIFIED)	DIMENSION STYLE	SCALE	DESIGN UNITS	THIRD ANGLE PROJECTION
	▽=0	mm INCH	MM ONLY	2:1	METRIC	☉
	▽=0	4 PLACES ± --- ± ---	DRAWN BY DATE			
	▽=0	3 PLACES ± 0.10 ± ---	MDICK 2011/07/22			
	2 PLACES ± 0.3 ± ---	CHECKED BY DATE				
	1 PLACE ± --- ± ---	APPROVED BY DATE				
	0 PLACE ± --- ± ---					
	ANGULAR ± 3 °	MATERIAL NO.	SEE BOM			
	DRAFT WHERE APPLICABLE MUST REMAIN WITHIN DIMENSIONS	DOCUMENT NO.	SD-33482-061			
		SHEET NO.	9 OF 9			