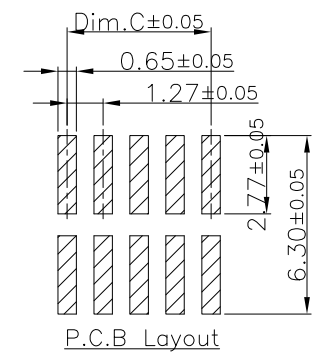
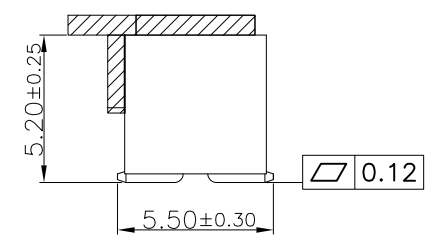
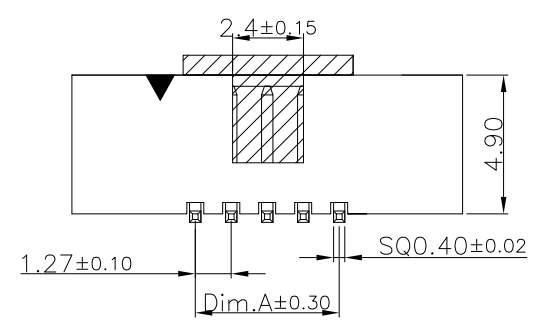
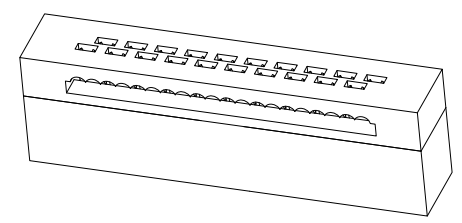


Specifications:
 Current Rating: 1.0A AC,DC
 Voltage Rating: 50V AC,DC
 Contact Resistance: 20m ohm.Max
 Insulation Resistance: 1000M ohm.Min
 Withstanding Voltage: 500V AC/Minute
 Operating Temperature Range: -40°C ~ +105°C

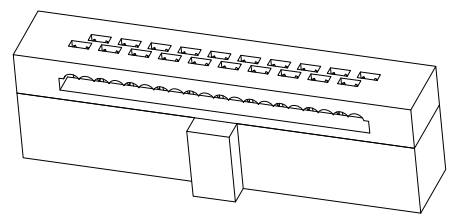
Material:
 Insulator: Nylon 9T (UL94V-0)
 Insulator Color: Black
 Terminal: Brass
 Plated: Gold Plated



MATING PART
 3230-XX-0101-00



MATING PART
 3230-XX-0102-00



Dimension Information:

Pin.No	Dim.A	Dim.B	Dim.C	Pin.No	Dim.A	Dim.B	Dim.C
8	3.81	9.83	11.43	30	17.78	23.80	25.40
10	5.08	11.10	12.70	34	20.32	26.34	27.94
12	6.35	12.37	13.97	40	24.13	30.15	31.75
14	7.62	13.64	15.24	44	26.67	32.69	34.29
16	8.89	14.91	16.51	50	30.48	36.50	38.10
20	11.43	17.45	19.05	60	36.83	42.85	44.45
24	13.97	19.99	21.59	68	41.91	47.93	49.53
26	15.24	21.26	22.86				

RoHS Compliant

				DRAWN: Jamie	GENERAL TOLERANCE: .X=±0.25 .XX=±0.20	<h1 style="color: red; text-align: center;">CnC Tech</h1> <p style="text-align: center;">Industrial Cable and Connector Technology</p>	
				CHECKED: Jerry	UNIT: MM		
				APPROVAL: Rory	SCALE: 1:1	PART NO:	A4
REV	DATE	FILE	BY		SHEET: 1 / 1	3220-10-0300-00-TR	
	05-FEB-2020				PROJECTION:		

A
B
C
D