

PART NAME: KNOB

SCALE: 1:1

DATE: 2/28/94 DR. BY HS

THIS DRAWING IS THE PROPERTY OF DAVIES MOLDING COMPANY, IS SUBMITTED SOLELY AS A DESIGN OR ENGINEERING PROJECT. WE ACCEPT NO RESPONSIBILITY WHATSOEVER FOR THE PRACTICAL APPLICATION OF THE PIECES MADE TO THIS DESIGN.



DESIGNERS & MANUFACTURERS OF KNOBS, HANDLES, CASES & CUSTOM PLASTIC COMPONENTS

P/N 3036-E

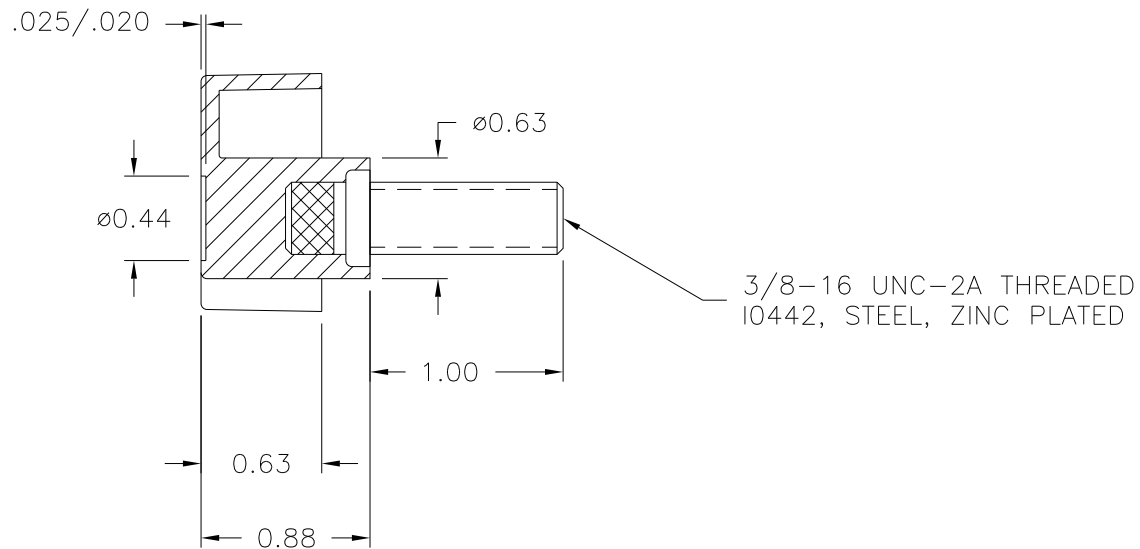
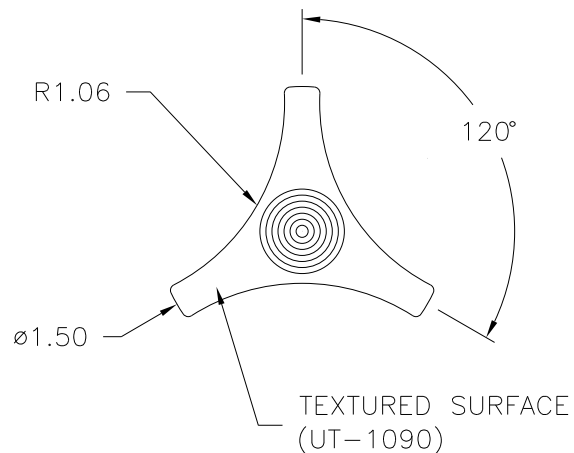
M<sup>NO.</sup> 38

CAVITY	3036
CORE	3036
CAVITY PLUG	3036
SLEEVE	2780
PIN	2780-C
SHIMS	.306+.241
INSERT	I0442

M<sup>NO.</sup> 38 #2

PLATE 0.548

Ⓐ SHIM 0.030



MATERIAL: 20% TALC-FILLED POLYPROPYLENE (BC9)  
COLOR: BLACK

TOLERANCES: UNLESS OTHERWISE SPECIFIED	DO NOT SCALE DRAWING			
DECIMALS: X.XXX ± .005 X.XX ± .015	MM: X.XX ± 0.15MM X.X ± 0.4MM	A	CORRECTED SHIM	TS 8/29/02
FRACTIONS ± 1/64	ANG. ± 1°	-	REDRAWN	TL 11/18/99
CHANGES				