

MATERIAL NUMBER

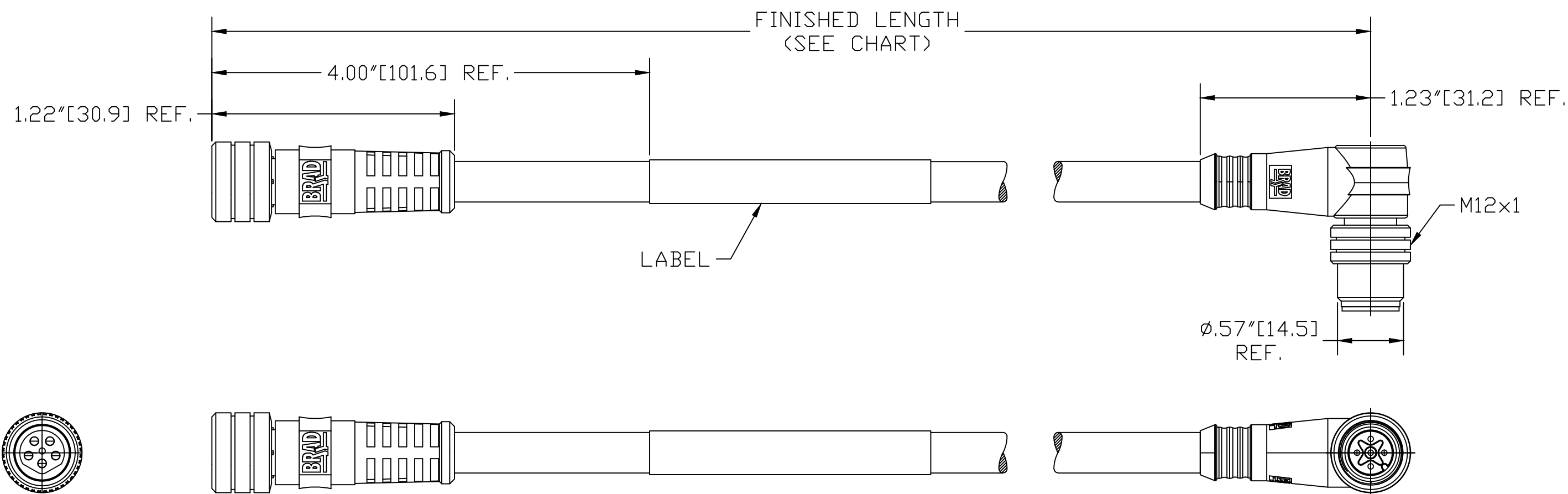
OLD PART NUMBER

FINISHED LENGTH

1300300091

485032D12M010

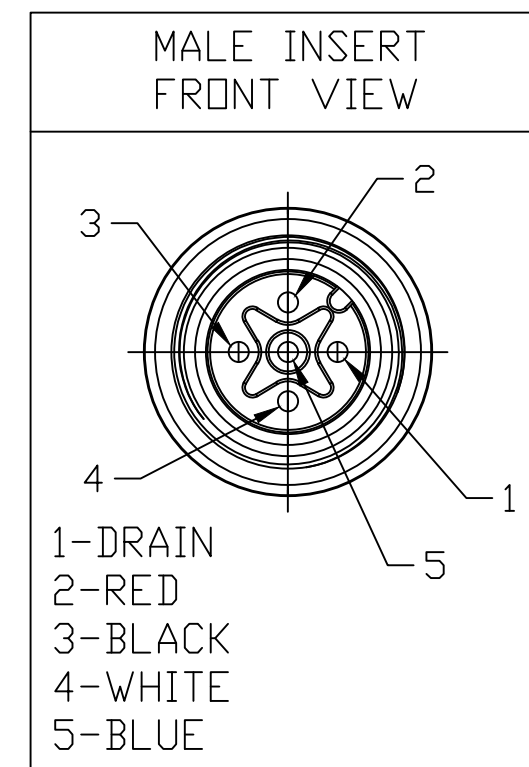
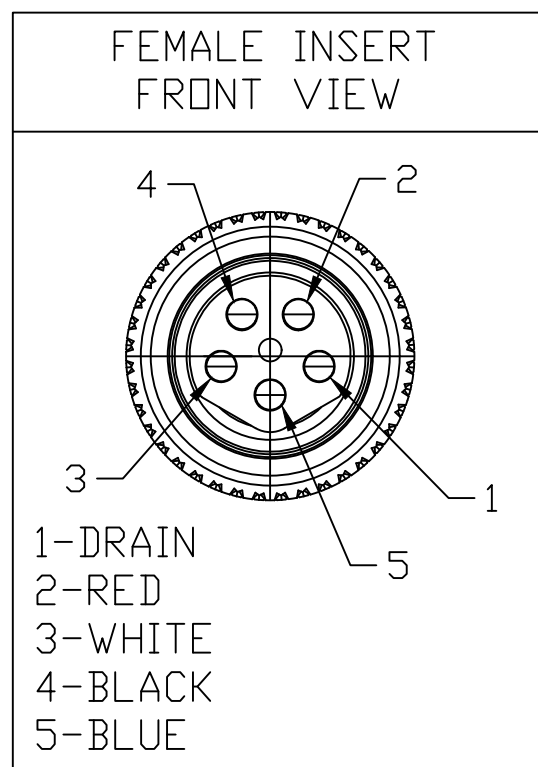
3.28' +2.19" -0 [1.0M +55.6mm -0]



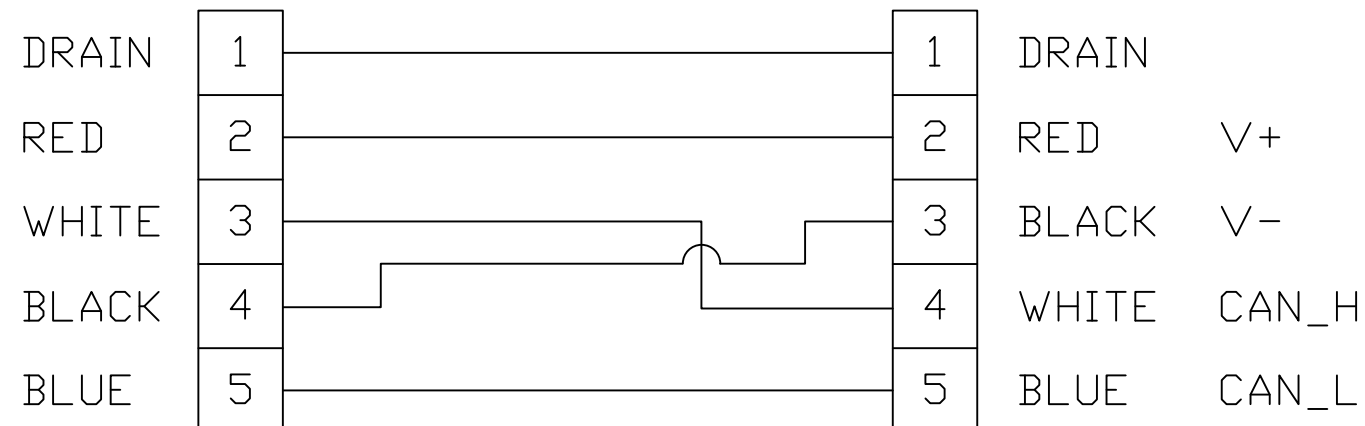
485032D12M010

Wire type  
#26 AWG  
Gray PVC

cable length  
M020----2 Meter  
M100----10 Meter



CONTACT:	GOLD/NICKEL OVER COPPER ALLOY
INSERT:	PUR, BLACK
O-RING:	VITON
COUPLING NUT:	BRASS, NICKEL PLATED
MOLDED BODY:	RITFLEX, GRAY
VOLTAGE RATING:	60 VAC/75 VDC
AMPERAGE RATING:	1.68 AMPS
PROTECTION:	IP67
OPERATING TEMPERATURE:	-20°C TO 70°C



WIRING DIAGRAM

INITIAL RELEASE EC NO: IPG2013-1910 DRWN: EBRACKEN 2013/06/25 CHKD: RSTONE APPR: BWOODMAN2013/08/14	QUALITY SYMBOL	DESCRIPTION
	▼=0	
	∇=0	
	A	

GENERAL TOLERANCES (UNLESS SPECIFIED)	DIMENSION STYLE	
	IN/MM	
	mm	INCH
	4 PLACES	±---
DRAFT WHERE APPLICABLE MUST REMAIN WITHIN DIMENSIONS	3 PLACES	±---
	2 PLACES	±0.13 ±.010
	1 PLACE	±0.25 ±.020
	ANGULAR ±.5°	

DRAWN BY	DATE
EBRACKEN	2013/06/18
CHECKED BY	DATE
RSTONE	----
APPROVED BY	DATE
BWOODMAN	2013/08/14
MATERIAL NO.	SEE CHART
SIZE	C

SCALE	DESIGN UNITS	THIRD ANGLE PROJECTION
---	INCH	
TITLE		
MIC/NC ASSEMBLY 5 POLE M/MFE 90/ST #26 DROP CABLE 4-TPR		
MOLEX INCORPORATED		SHEET NO.
DOCUMENT NO. SD-130030-007		1 OF 1
THIS DRAWING CONTAINS INFORMATION THAT IS PROPRIETARY TO MOLEX INCORPORATED AND SHOULD NOT BE USED WITHOUT WRITTEN PERMISSION		