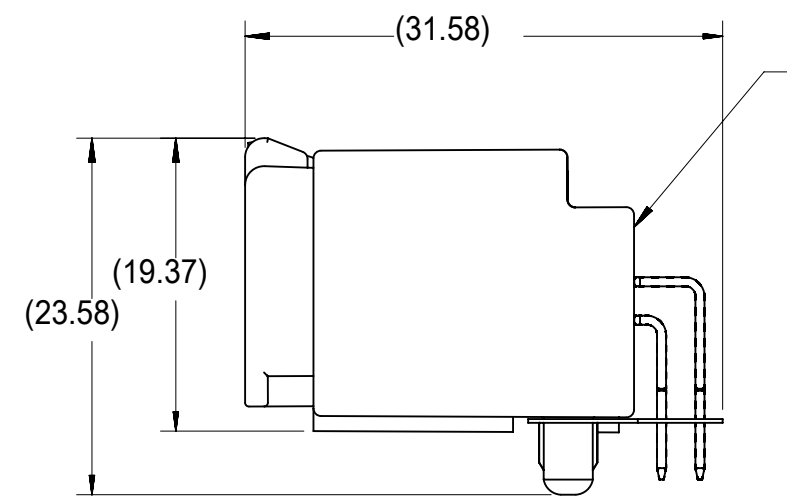


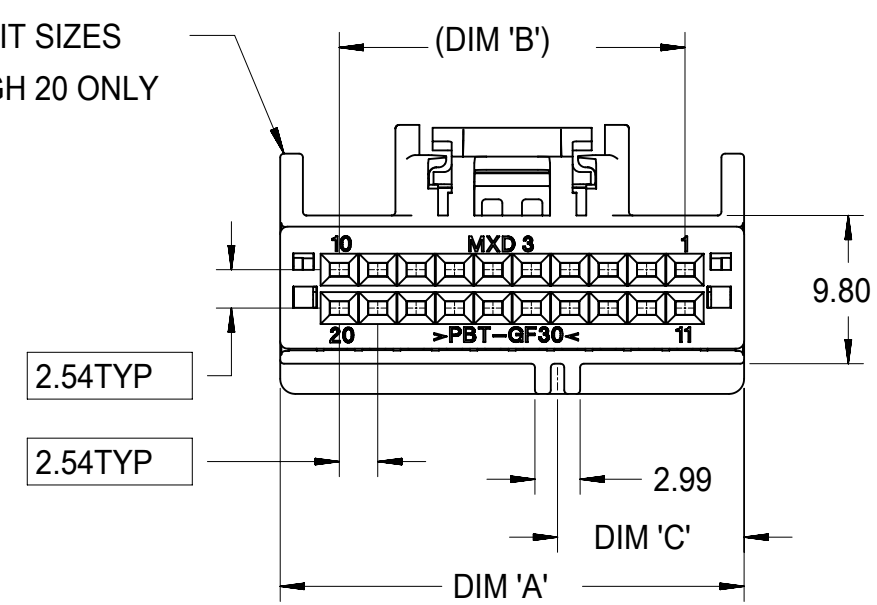
TPA SHOWN IN FULLY SEATED POSITION



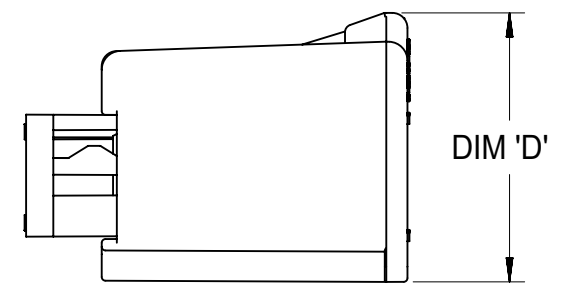
RIGHT ANGLE HEADER ASSEMBLY. SEE SALES DRAWING SD-30700-520.

MATED VIEW

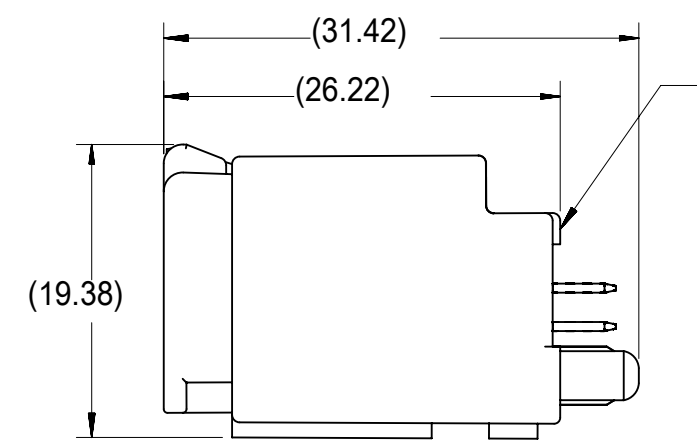
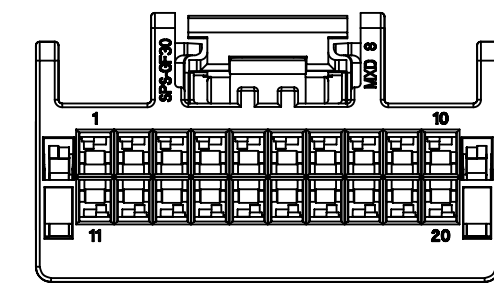
SCOOP PROOF RIBS FOR CIRCUIT SIZES 14 THROUGH 20 ONLY



20 CIRCUIT HARNESS ASSEMBLY SHOWN

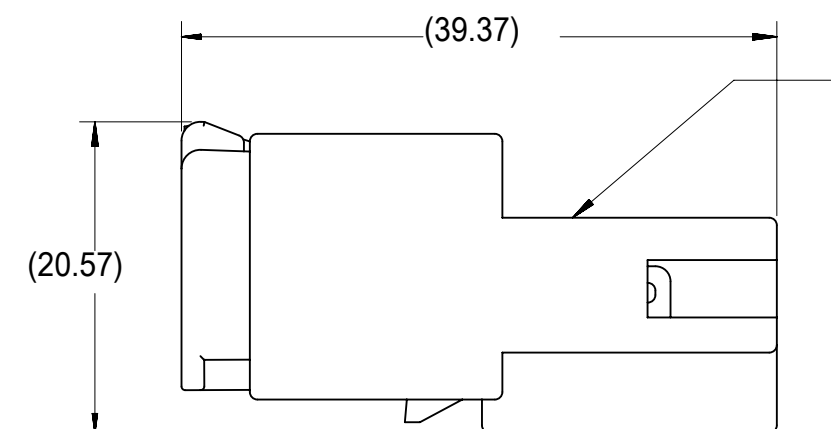


WITH TPA IN PRE-LOAD (AS SHIPPED)



VERTICAL HEADER ASSEMBLY. SEE SALES DRAWING SD-30700-420.

MATED VIEW



MALE INLINE HARNESS ASSEMBLY. SEE SALES DRAWING SD-30968-120.

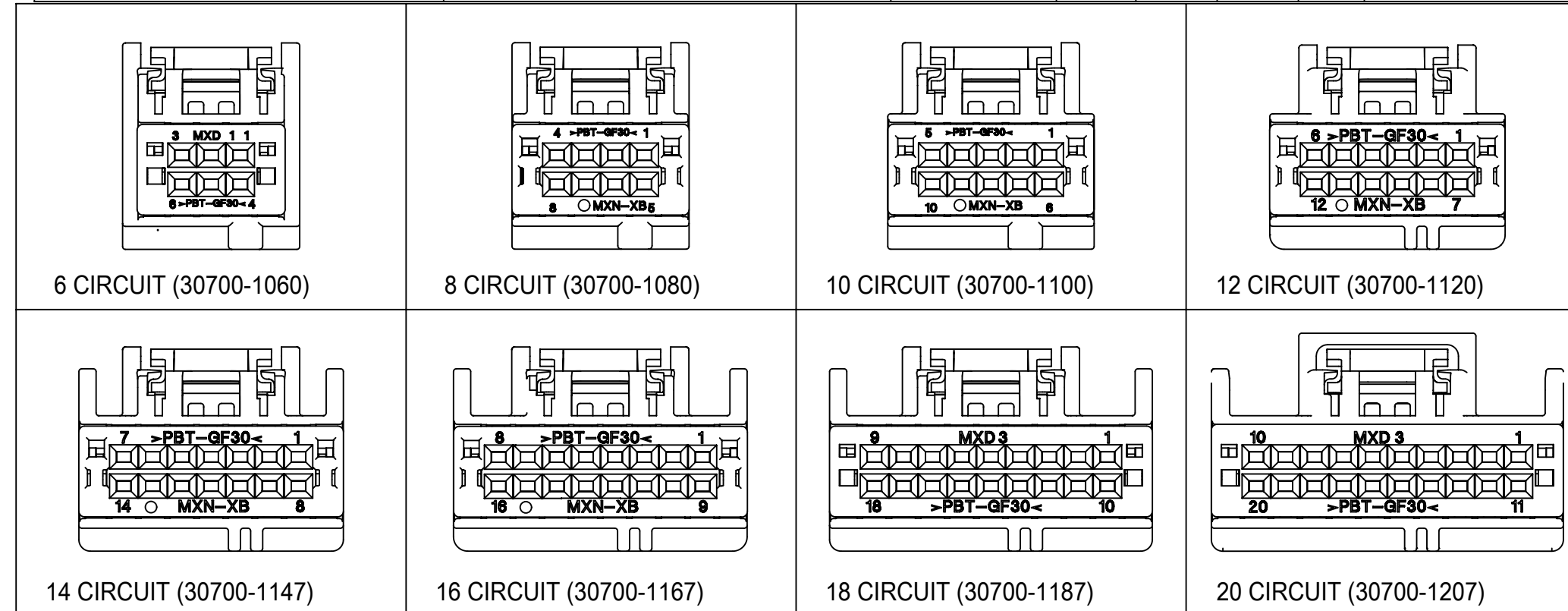
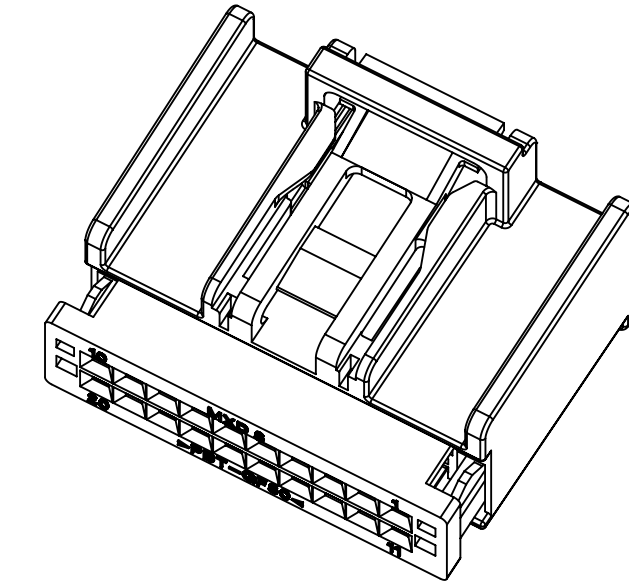
MATED VIEW

NOTES:

1. MATERIAL: HOUSING: SPS, GLASS FILLED, COLOR: SEE CHART.
TPA: PBT, GLASS FILLED, COLOR: RED.
2. PRODUCT SPECIFICATION: PS-30700-0001
3. PACKAGING SPECIFICATION: PK-30907-417
4. MATES WITH: SERIES 30700 & 30968, SEE SALES DRAWINGS SD-30700-520, SD-30700-420 & SD-30968-120.

SYMBOLS	THIS DRAWING CONTAINS INFORMATION THAT IS PROPRIETARY TO MOLEX ELECTRONIC TECHNOLOGIES, LLC AND SHOULD NOT BE USED WITHOUT WRITTEN PERMISSION										
	DIMENSION UNITS	SCALE	CURRENT REV DESC:								
∅ = 0	mm	2:1									
∇ = 0	GENERAL TOLERANCES (UNLESS SPECIFIED)									6-20 CIRCUIT HARNESS ASSEMBLY	
∇ = 0	ANGULAR TOL ± 0.5°										
S = 0	4 PLACES ±		EC NO: 601850							PRODUCT CUSTOMER DRAWING	
▼ = 0	3 PLACES ±		DRWN: SHANDITHAVAL 2018/07/23								
∇ = 0	2 PLACES ± 0.13		CHK'D: RBAUMAN 2018/07/24							DOCUMENT NUMBER: SD-30700-120 DOC TYPE: PSD DOC PART: 001 REVISION: J	
⊠ = 0	1 PLACE ± 0.25		APPR: RBAUMAN 2018/07/24								
■ = 0	0 PLACES ±		INITIAL REVISION:							MATERIAL NUMBER: 30700 CUSTOMER: GENERAL MARKET SHEET NUMBER: 1 OF 3	
∇ = 0	DRAFT WHERE APPLICABLE MUST REMAIN WITHIN DIMENSIONS		THIRD ANGLE PROJECTION		DRAWING: A2-SIZE		SERIES: 30700				

ASSEMBLY PART NUMBER	POLARIZATION OPTIONS & CIRCUIT SIZE		PRODUCT DIMENSIONS					PASS THRU HOLE DIA FOR HARNESS	MATING INTERFACE DIMENSIONS		
	WITHOUT BRIDGE	HARNESS ASSEMBLY (POLARIZATION OPTIONS)	CIRCUIT SIZE	A REF.	(B)	C	D		HOUSING COLOR	E	F
30700-1207		POLARIZATION OPTION #1	20	30.69	22.86	12.35	17.79	GRAY	36.5	12.57	31.14
30700-1208		POLARIZATION OPTION #2	20	30.69	22.86	15.35	17.79	BLACK	36.5	15.57	31.14
30700-1209		POLARIZATION OPTION #3	20	30.69	22.86	18.35	17.79	NATURAL (CREAM)	36.5	18.57	31.14
30700-1187		POLARIZATION OPTION #1	18	28.15	20.32	11.08	17.79	GRAY	34.0	11.31	28.60
30700-1188		POLARIZATION OPTION #2	18	28.15	20.32	14.08	17.79	BLACK	34.0	14.31	28.60
30700-1189		POLARIZATION OPTION #3	18	28.15	20.32	17.08	17.79	NATURAL (CREAM)	34.0	17.31	28.60
30700-1167		POLARIZATION OPTION #1	16	25.61	17.78	9.81	17.79	GRAY	32.0	10.04	26.06
30700-1168		POLARIZATION OPTION #2	16	25.61	17.78	12.81	17.79	BLACK	32.0	13.04	26.06
30700-1169		POLARIZATION OPTION #3	16	25.61	17.78	15.81	17.79	NATURAL (CREAM)	32.0	16.04	26.06
30700-1147		POLARIZATION OPTION #1	14	23.07	15.24	8.54	17.79	GRAY	30.0	8.77	23.52
30700-1148		POLARIZATION OPTION #2	14	23.07	15.24	11.54	17.79	BLACK	30.0	11.77	23.52
30700-1149		POLARIZATION OPTION #3	14	23.07	15.24	14.54	17.79	NATURAL (CREAM)	30.0	14.77	23.52
30700-1120		POLARIZATION OPTION #1	12	20.53	12.70	7.25	17.79	GRAY	27.5	7.50	20.98
30700-1121		POLARIZATION OPTION #2	12	20.53	12.70	10.27	17.79	BLACK	27.5	10.50	20.98
30700-1122		POLARIZATION OPTION #3	12	20.53	12.70	13.27	17.98	NATURAL (CREAM)	27.5	13.50	20.98
30700-1100		POLARIZATION OPTION #1	10	17.99	10.16	6.00	17.98	GRAY	26.4	6.23	18.44
30700-1101		POLARIZATION OPTION #2	10	17.99	10.16	9.00	17.98	BLACK	26.4	9.23	18.44
30700-1102		POLARIZATION OPTION #3	10	17.99	10.16	12.00	17.98	NATURAL (CREAM)	26.4	12.23	18.44
30700-1080		POLARIZATION OPTION #1	8	15.45	7.62	4.73	17.98	GRAY	25.5	4.96	15.90
30700-1081		POLARIZATION OPTION #2	8	15.45	7.62	7.73	17.98	BLACK	25.5	7.96	15.90
30700-1082		POLARIZATION OPTION #3	8	15.45	7.62	10.73	17.98	NATURAL (CREAM)	25.5	10.96	15.90
30700-1060		POLARIZATION OPTION #1	6	15.44	5.08	3.46	17.98	GRAY	25.5	3.69	13.36
30700-1061		POLARIZATION OPTION #2	6	15.44	5.08	6.46	17.98	BLACK	25.5	6.69	13.36
30700-1062		POLARIZATION OPTION #3	6	15.44	5.08	9.46	17.98	NATURAL (CREAM)	25.5	9.69	13.36

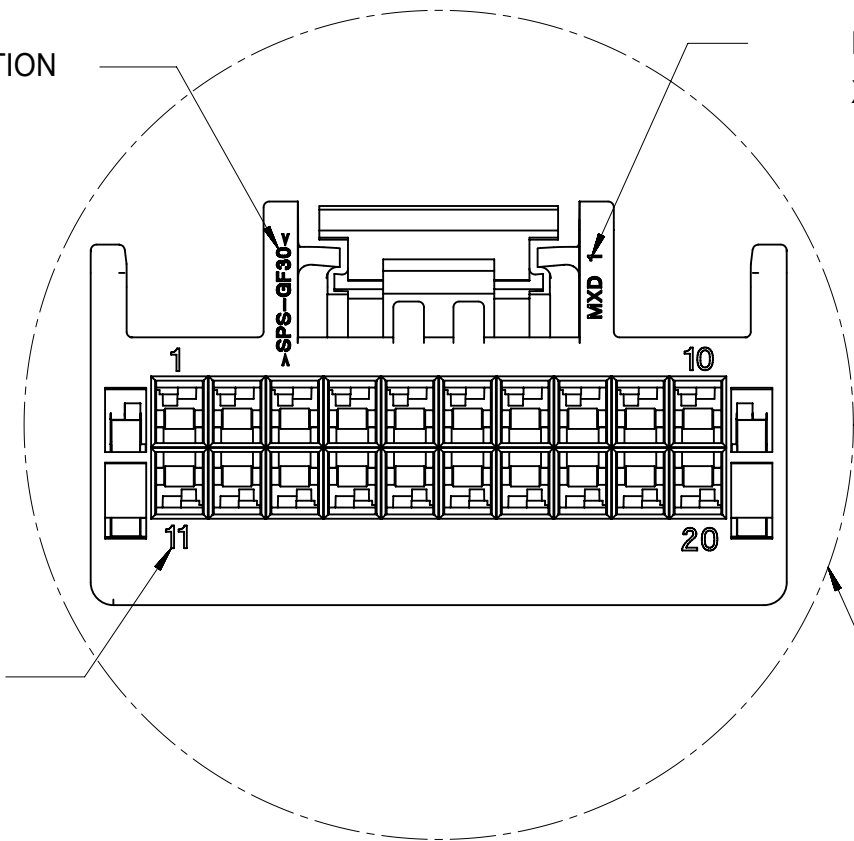


MATERIAL IDENTIFICATION SYMBOL

MX - VENDOR IDENTIFICATION (MOLEX)
X - MANUFACTURING LOCATION
('N' FOR LINCOLN, 'D' FOR AUBURN HILLS)

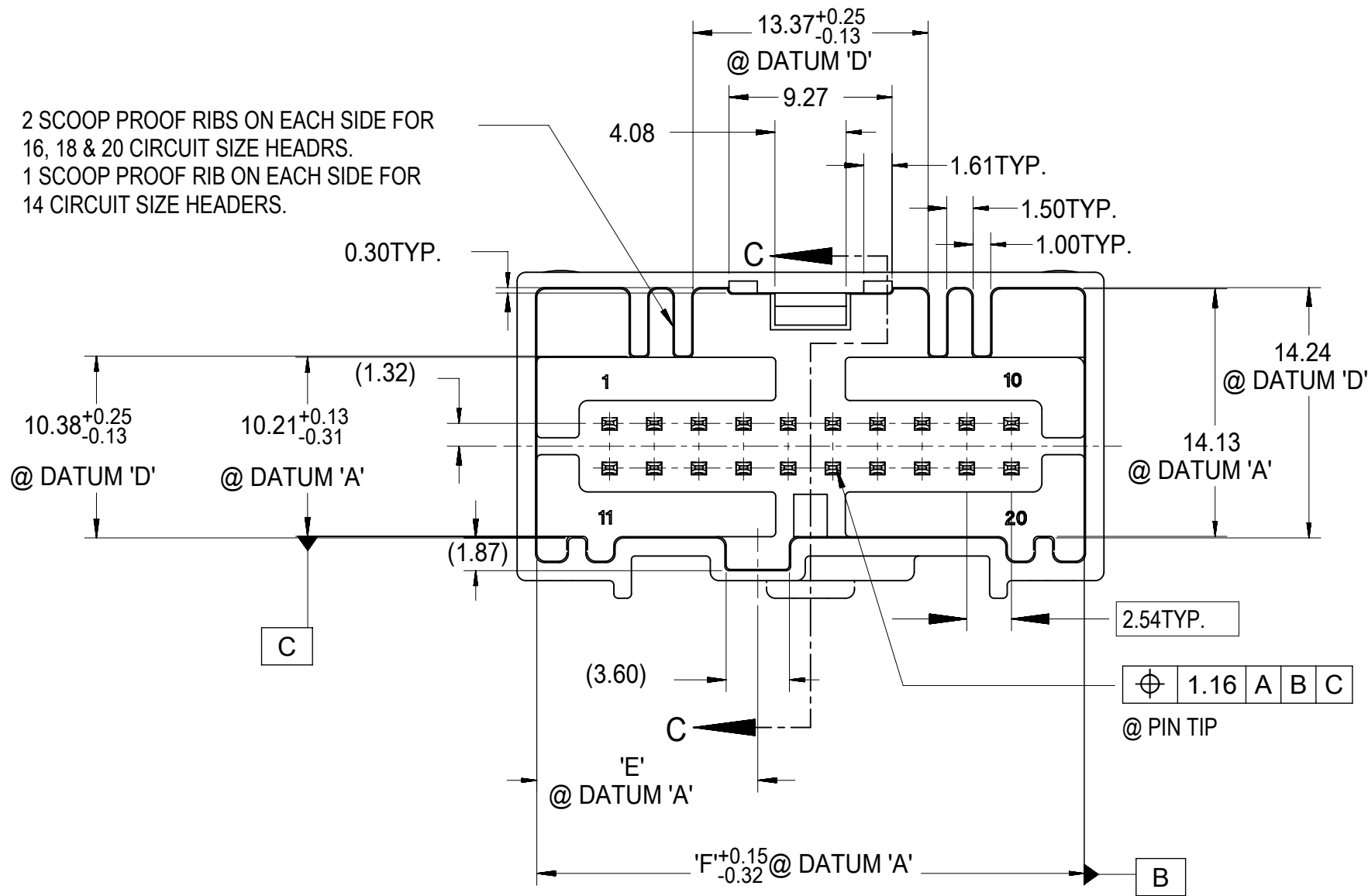
CIRCUIT NUMBER IDENTIFICATION

SEE CHART FOR MINIMUM FEED THROUGH DIAMETER (1MM CLEARANCE ALL AROUND)

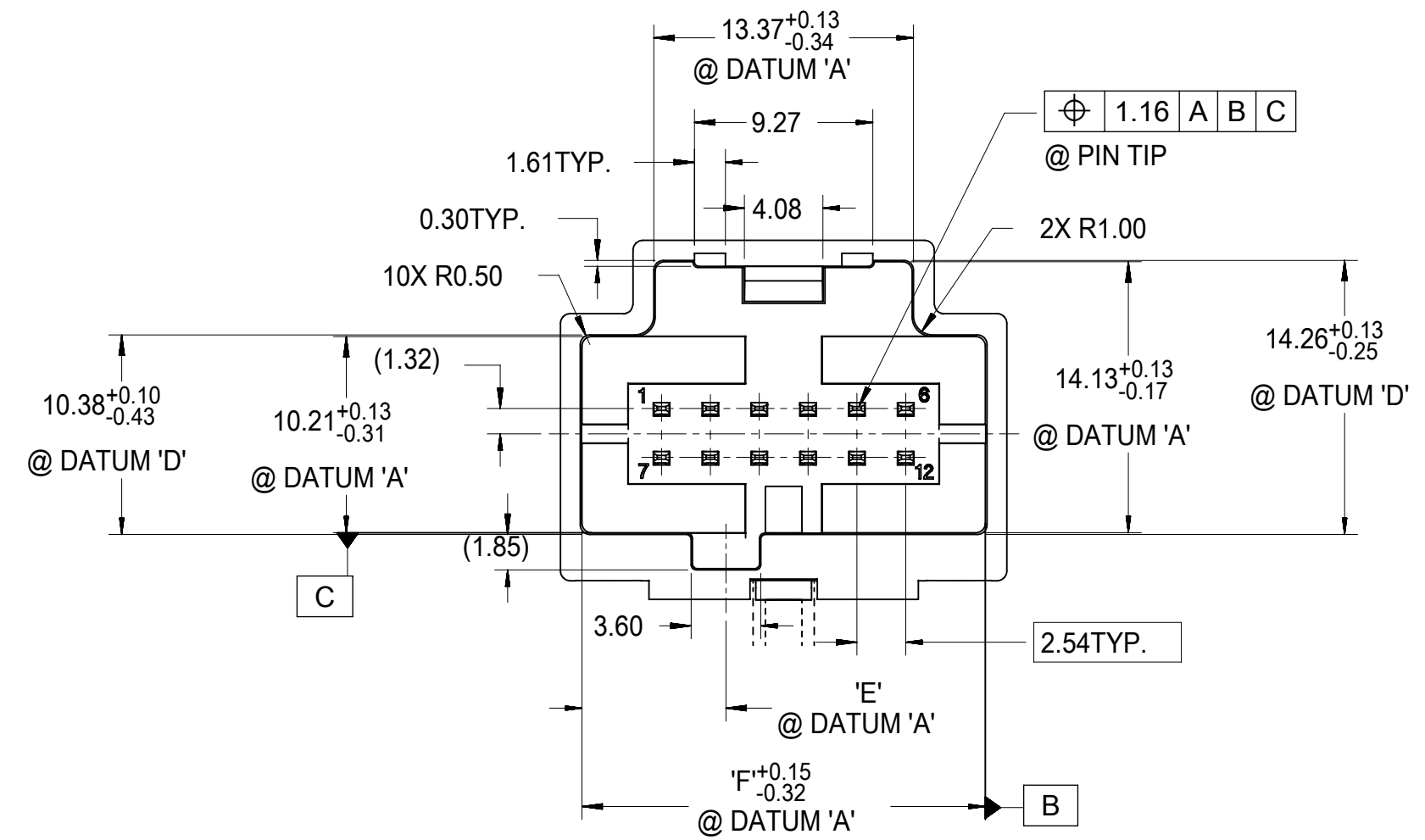


SYMBOLS	THIS DRAWING CONTAINS INFORMATION THAT IS PROPRIETARY TO MOLEX ELECTRONIC TECHNOLOGIES, LLC AND SHOULD NOT BE USED WITHOUT WRITTEN PERMISSION	
	DIMENSION UNITS	SCALE
∅ = 0	mm	2:1
∇ = 0	GENERAL TOLERANCES (UNLESS SPECIFIED)	
∇ = 0	ANGULAR TOL ± 0.5°	
∇ = 0	4 PLACES ±	
∇ = 0	3 PLACES ±	
∇ = 0	2 PLACES ± 0.13	
∇ = 0	1 PLACE ± 0.25	
∇ = 0	0 PLACES ±	
∇ = 0	DRAFT WHERE APPLICABLE MUST REMAIN WITHIN DIMENSIONS	
THIRD ANGLE PROJECTION		CURRENT REV DESC:
DRAWING		EC NO: 601850
SERIES		DRWN: SHANDITHAVAL 2018/07/23
A2-SIZE		CHK'D: RBAUMAN 2018/07/24
30700		APPR: RBAUMAN 2018/07/24
GENERAL MARKET		INITIAL REVISION:
CUSTOMER		DRWN: RCARLSON 2001/03/23
MATERIAL NUMBER		APPR: LGEIB 2001/04/04
SD-30700-120		DOCUMENT NUMBER
GENERAL MARKET		DOC TYPE
2 OF 3		DOC PART
		REVISION
		J

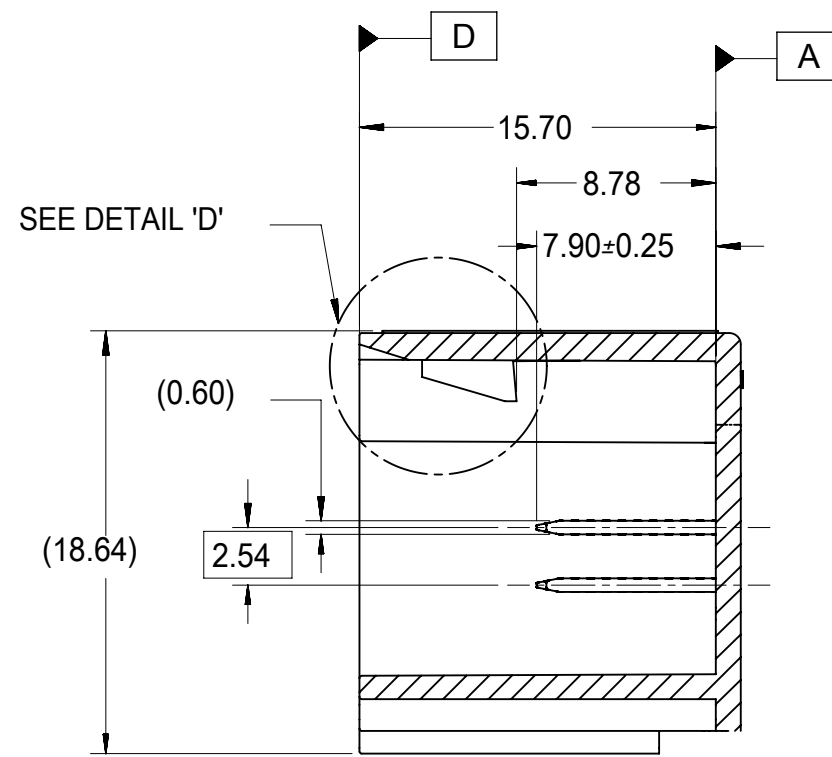
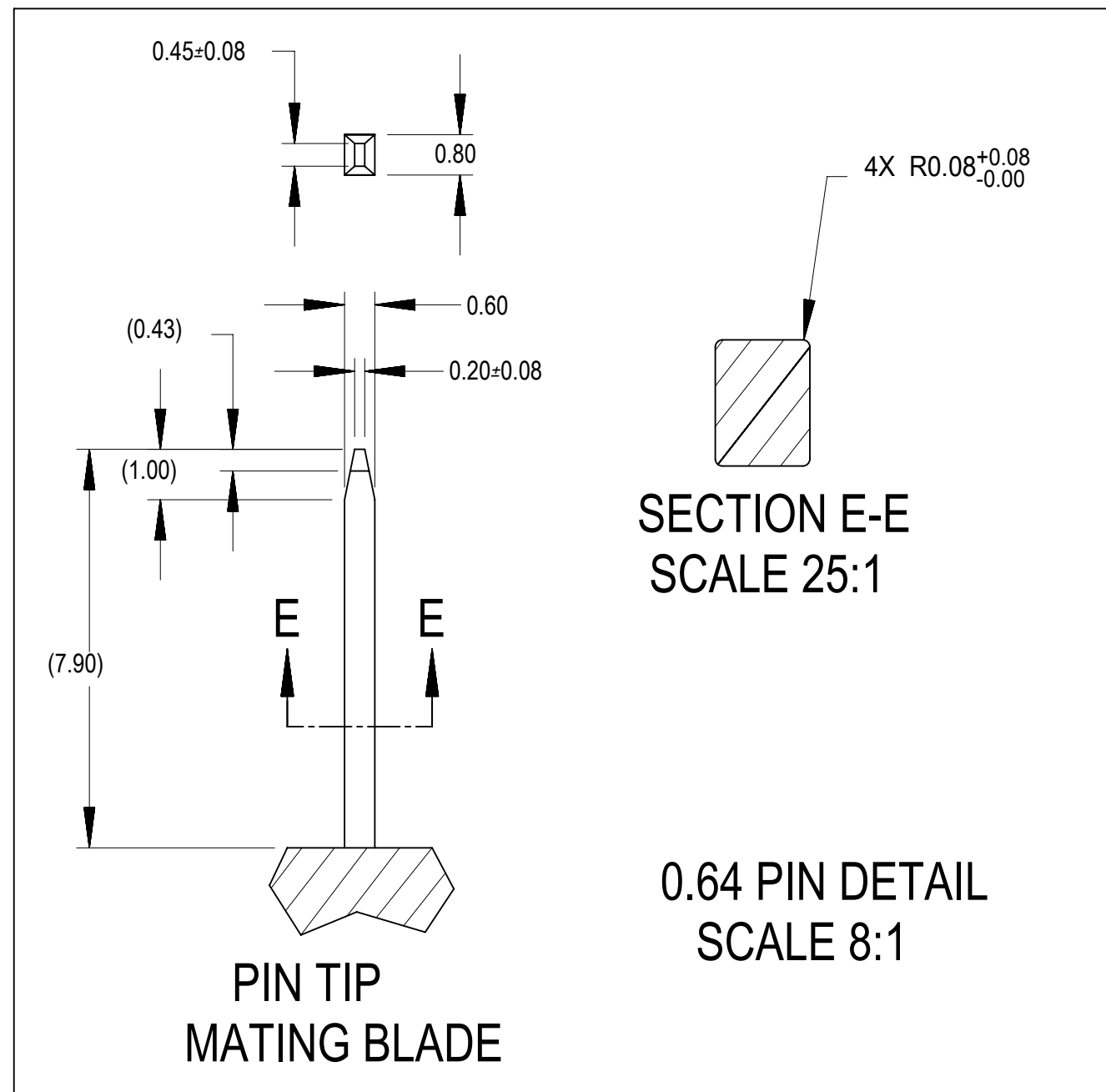
MATING INTERFACE DIMENSIONS (REFERENCE ONLY)



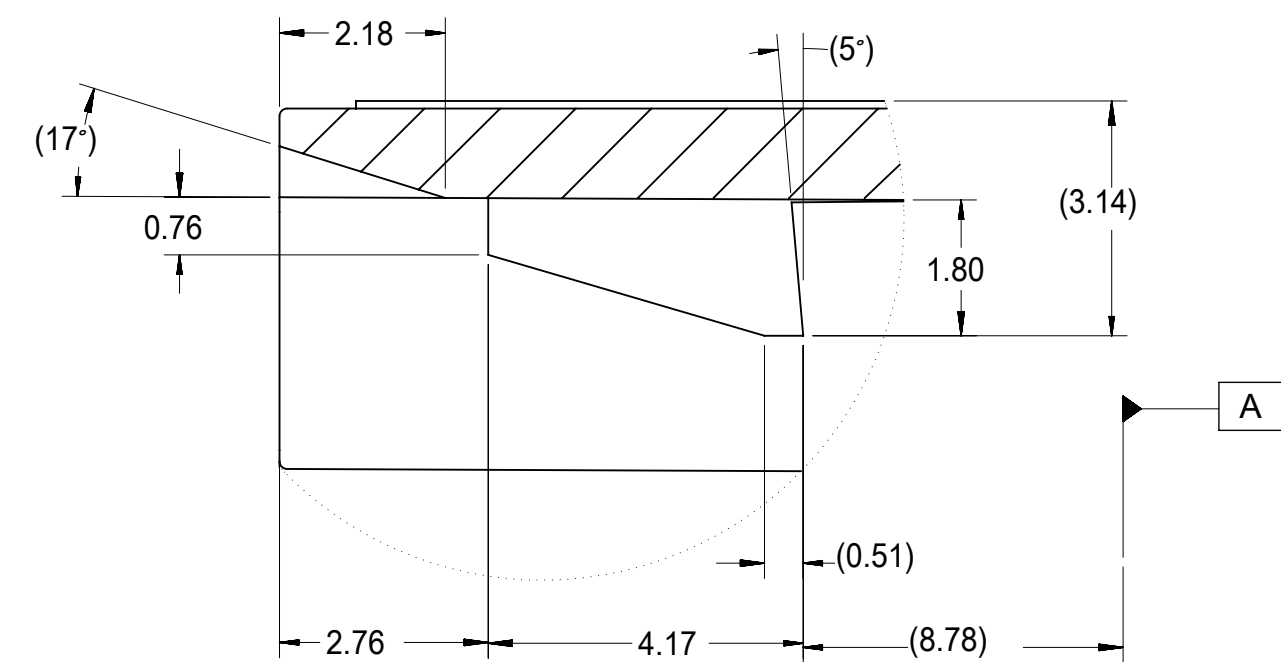
ABOVE VIEW APPLY TO 14, 16, 18 & 20 CIRCUIT ONLY



ABOVE VIEW APPLY TO 6, 8, 10 & 12 CIRCUIT ONLY



SECTION C-C



DETAIL 'D'
SCALE 10:1

SYMBOLS	THIS DRAWING CONTAINS INFORMATION THAT IS PROPRIETARY TO MOLEX ELECTRONIC TECHNOLOGIES, LLC AND SHOULD NOT BE USED WITHOUT WRITTEN PERMISSION	
DIMENSION UNITS	SCALE	CURRENT REV DESC:
∅ = 0	mm	2:1
∇ = 0	GENERAL TOLERANCES (UNLESS SPECIFIED)	
∇ = 0	ANGULAR TOL ± 0.5°	
∇ = 0	4 PLACES ±	
∇ = 0	3 PLACES ±	
∇ = 0	2 PLACES ± 0.13	
∇ = 0	1 PLACE ± 0.25	
∇ = 0	0 PLACES ±	
∇ = 0	DRAFT WHERE APPLICABLE MUST REMAIN WITHIN DIMENSIONS	
∇ = 0	THIRD ANGLE PROJECTION	DRAWING
∇ = 0	A2-SIZE	SERIES
∇ = 0	30700	3
EC NO: 601850 DRWN: SHANDITHAVAL 2018/07/23 CHK'D: RBAUMAN 2018/07/24 APPR: RBAUMAN 2018/07/24 INITIAL REVISION: DRWN: RCARLSON 2001/03/23 APPR: LGEIB 2001/04/04		
molex 6-20 CIRCUIT HARNESS ASSEMBLY PRODUCT CUSTOMER DRAWING		
DOCUMENT NUMBER	DOC TYPE	DOC PART
SD-30700-120	PSD	001
MATERIAL NUMBER	CUSTOMER	SHEET NUMBER
30700	GENERAL MARKET	3 OF 3