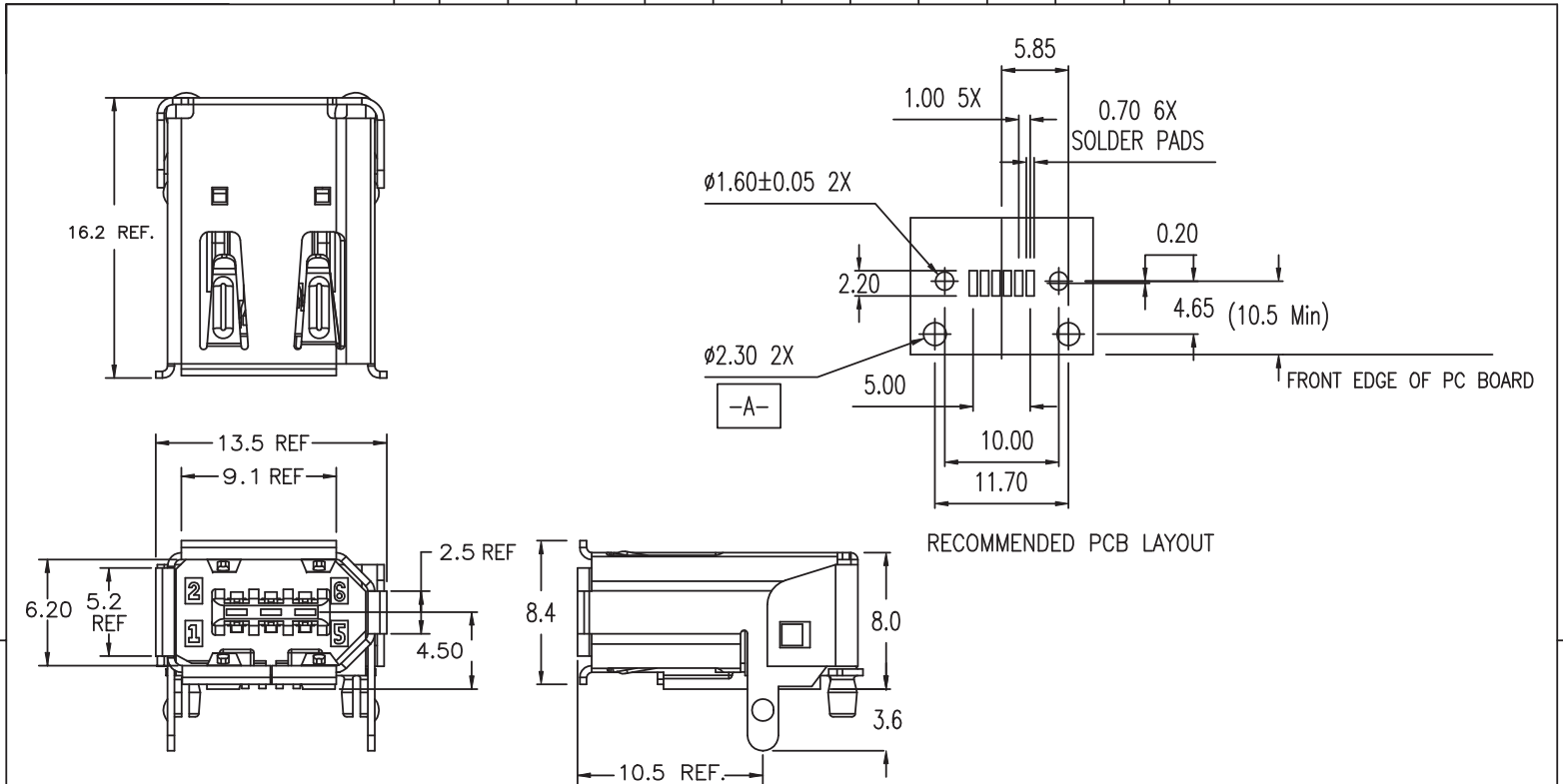


Tous droits strictement reserves. Reproduction ou communication a des tiers interdite sous quelque forme que ce soit sans autorisation écrite du propriétaire. Propriete de c FCI ELECTRONICS. Droits de reproduction FCI ELECTRONICS INC.



All rights strictly reserved. Reproduction or issue to third parties in any form whatever is not permitted without written authority from the proprietor. Property of FCI ELECTRONICS. Copyright FCI ELECTRONICS INC.

1 2 3 4



NOTES:

1. DIMENSIONS AND TOLERANCES ARE IN ACCORDANCE WITH ASME Y14.5M, 1994.
2. ALL HOLES AND PADS ON PCB $\varnothing 0.10 \text{ (A)}$
3. RoHS COMPATIBLE PRODUCT, THE HOUSING WILL WITHSTAND EXPOSURE TO 260°C±5°C SOLDER BATH TEMPERATURE FOR 5 SECONDS IN A REFLOW SOLDER APPLICATION WITH A 1.6mm MIN THICK CIRCUIT BOARD.
4. THIS PRODUCT MEETS EUROPEAN UNION DIRECTIVES AND OTHER COUNTRY REGULATIONS AS DESCRIBED IN GS-22-008.

THIS FILE WAS ORIGINALLY CREATED IN THE PRO ENGINEER ENVIRONMENT AND ANY FUTURE REVISIONS TO THIS FILE MUST BE MADE IN THE PRO ENGINEER ENVIRONMENT

| P/N | CONTACT PLATING | SHIELD PLATING |
|-----------------|-----------------|-----------------------------|
| 73450-001/001LF | 30u" GXT | 80 u" TIN |
| 73450-002/002LF | 30u" GXT | 50 u" NICKEL |
| 73450-003/003LF | 30u" GXT | 80 u" TIN (DULL APPEARANCE) |

| | | | | | | | | | |
|-------------|----------------|------|----------|---------------------------------------|---------------------|---------------|--|--|--|
| mat'l code | | | | tolerances unless otherwise specified | | CUSTOMER COPY | | Electronics www.fciconnect.com | |
| SEE NOTES | | | | .X ±.3 | | projection | | title | |
| ltr | ecn no. | dr | date | linear | .XX ±.20 | | | P1394 ASSEMBLY | |
| A | V71806 | GIP | 12/4/97 | angles | .XXX ±.100 | | | product family | |
| B | V90138 | RGD | 02/17/99 | dr | 0° ±2° | P1394 | | 213 | |
| C | V90164 | LFT | 03/25/99 | enr | G.PETERS 12/4/97 | MM | | size | |
| D | V92155 | LEV4 | 05/04/00 | enr | R.MACMULLIN 12/4/97 | ← | | dwg no | |
| E | T00052 | M W | 09/20/00 | chr | R.MACMULLIN 12/4/97 | scale | | 73450 | |
| F | T10200 | M W | 07/19/01 | appd | R.MACMULLIN 12/4/97 | 4:1 | | sheet | |
| G | T05-0030 | M W | 02/16/05 | | | | | 1 of 2 | |
| sheet index | revision index | G | G | | | | | | |
| | | 1 | 2 | | | | | | |

form no. 7530-001-103

3 4

cage code 22526