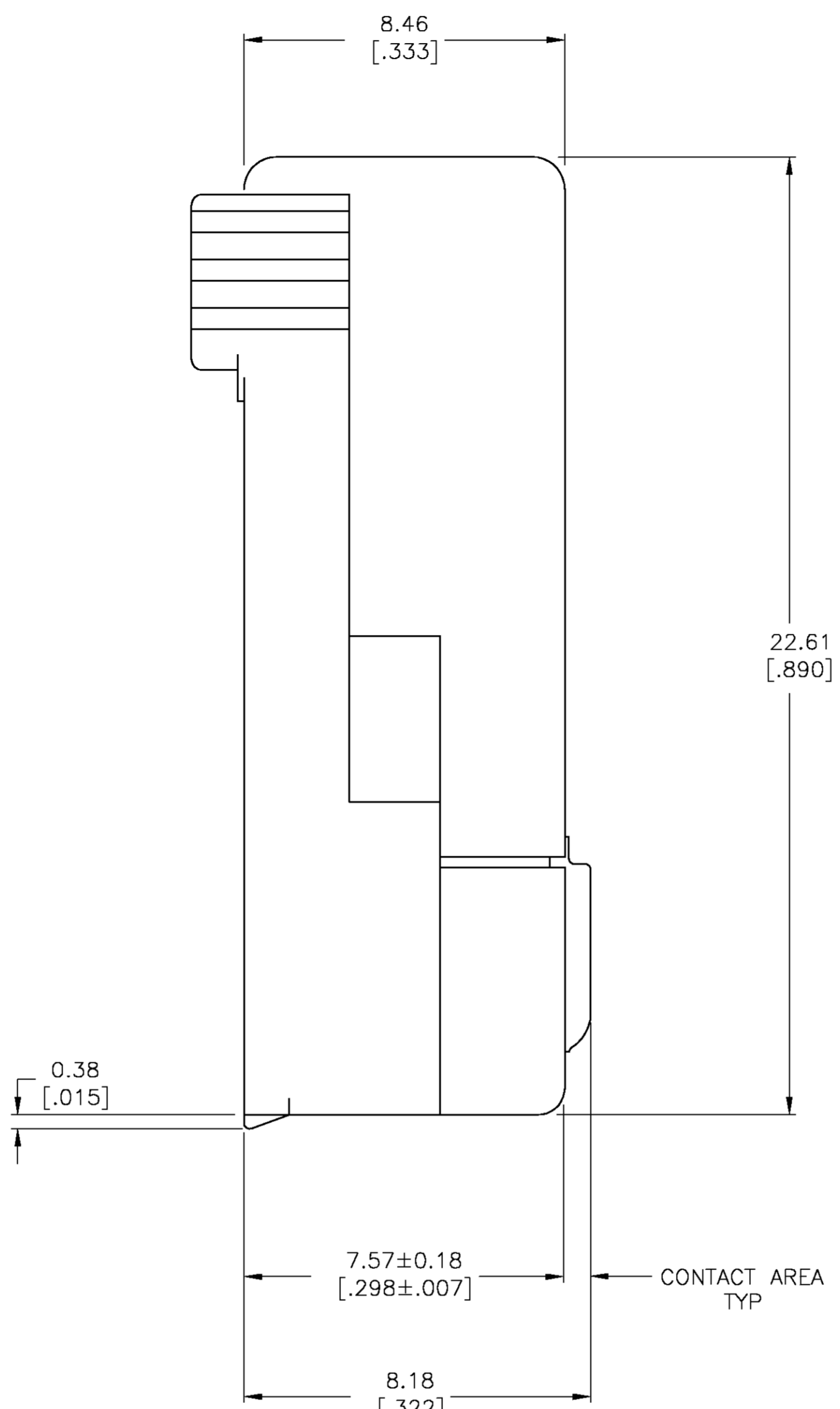
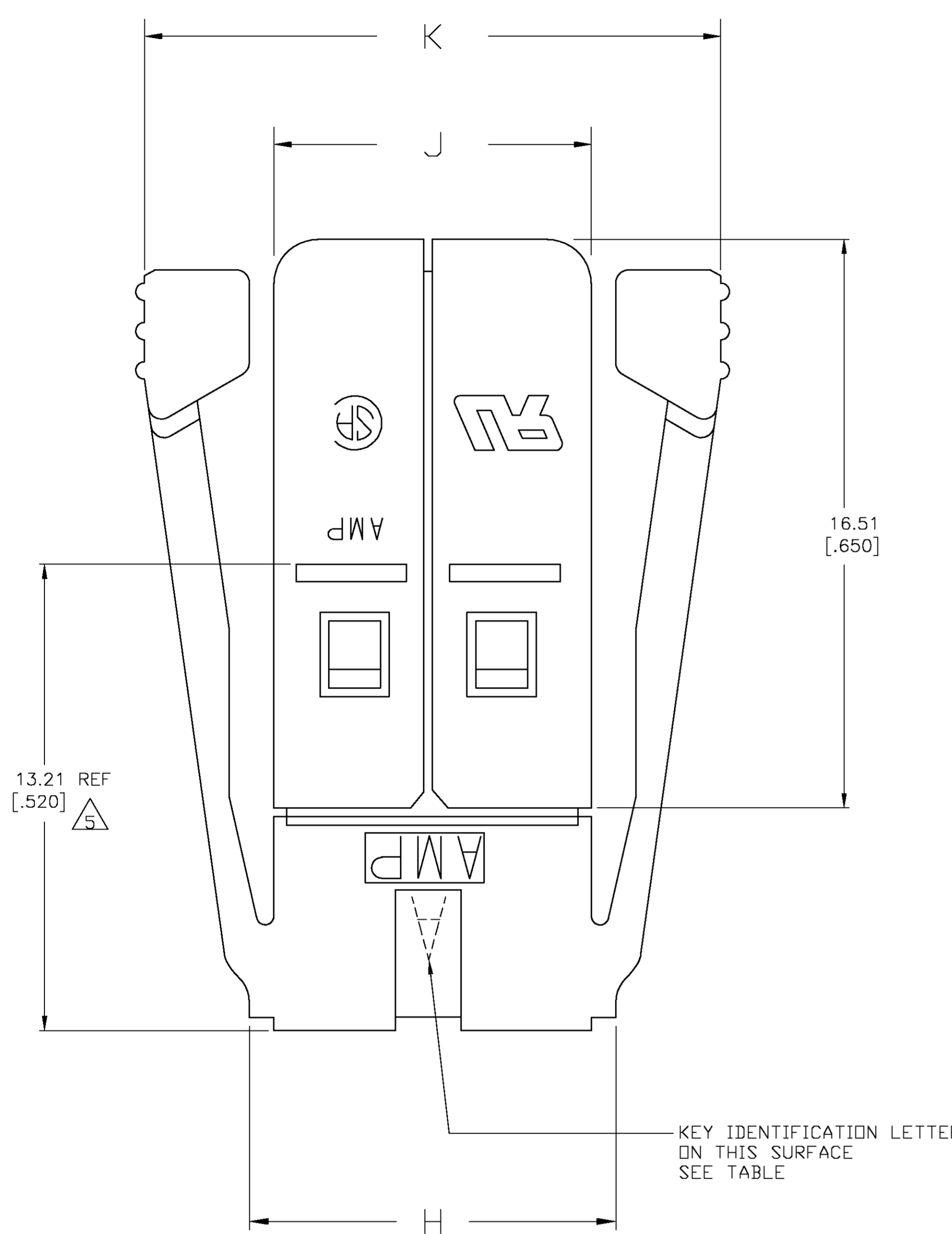
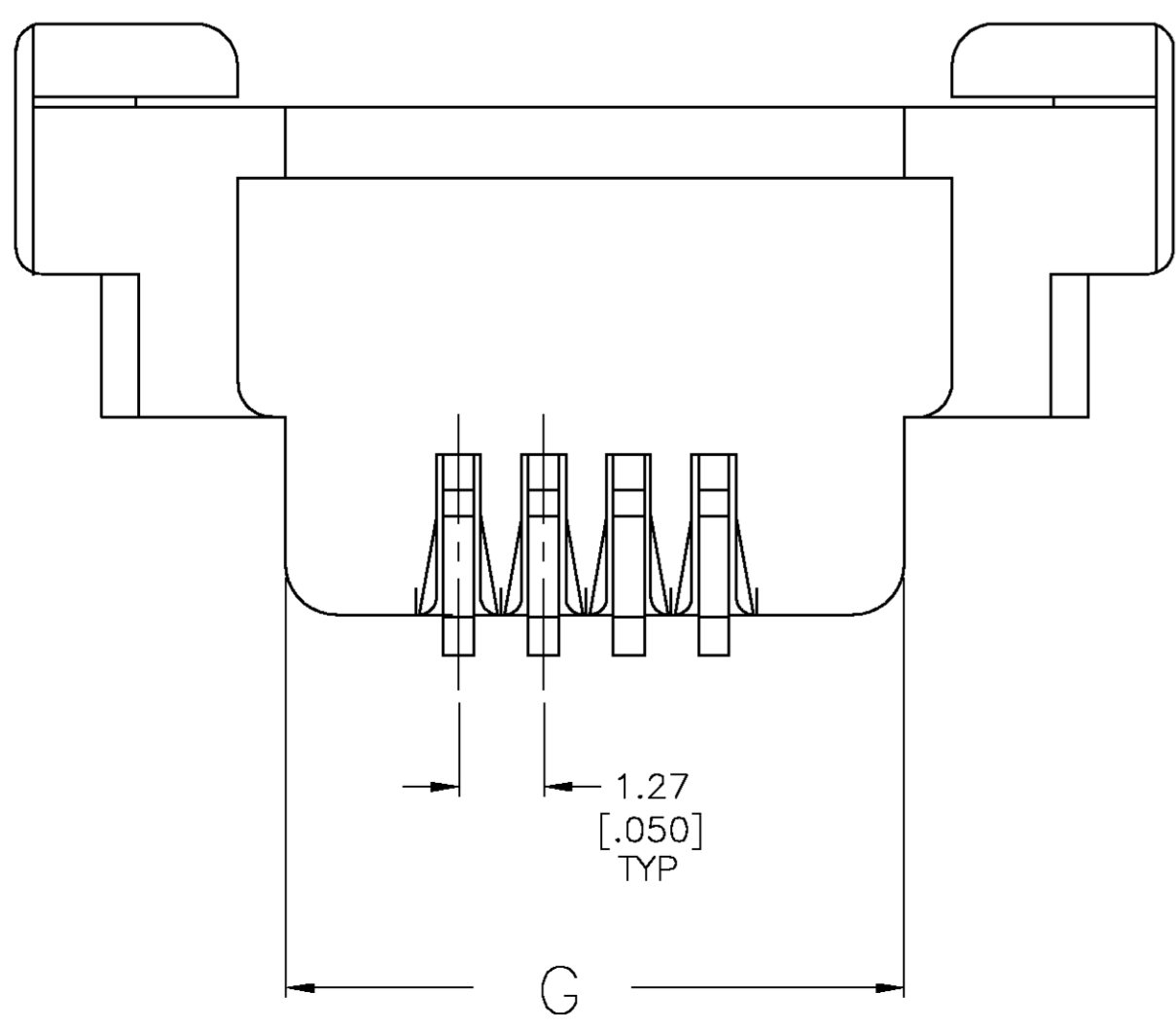


LOC		DIST		REVISIONS			
GP	00	P	LTR	DESCRIPTION	DATE	DN	APPD
AE				REVISED PER EC OS13-0263-04	07SEP04	JG	CR



KEY IDENTIFICATION LETTER ON THIS SURFACE SEE TABLE



1. PREFIX AND SUFFIX NUMBERS MUST MATCH THOSE ON RECEPTACLE FOR PARTS TO MATE.
 2. MATERIAL:
 HOUSING- POLYCARBONATE
 CONTACT- COPPER ALLOY
 SHIELD- BRASS

3. FINISH:
 HOUSING- SMOKE GRAY
 CONTACT- 0.00127[.000050] MIN NICKEL OVER ENTIRE PART, 0.00002[.000001] GOLD FLASH OVER ENTIRE PART, 0.00127[.000050] MIN GOLD OVER CONTACT AREA.
 SHIELD- 0.00254[.000100] MIN BRIGHT TIN-LEAD OVER 0.00127[.000050] MIN NICKEL.

4. CABLES SHOULD MEET AMP DRAWING SPECIFICATIONS 520471-1.

5. INSERTION DEPTH INTO RECEPTACLE.

6. BULK CABLE ARE NOT AVAILABLE FROM AMP INC.

7. CABLES SHOULD MEET AMP DRAWING SPECIFICATIONS 520475-1.

8. CABLES SHOULD MEET AMP DRAWING SPECIFICATIONS 520477-1.

9. CABLES SHOULD MEET AMP DRAWING SPECIFICATIONS 520473-1.

10. FINISH:
 HOUSING- SMOKE GRAY
 CONTACT- 0.00127[.000050] MIN NICKEL OVER ENTIRE PART, 0.00002[.000001] GOLD FLASH OVER ENTIRE PART, 0.00127[.000050] MIN GOLD OVER CONTACT AREA.
 SHIELD- 0.00254[.000100] MIN BRIGHT TIN OVER 0.00127[.000050] MIN NICKEL.

11. FOR TERMINATION OF 24 AWG, 7 STRANDED, FLAT RIBBON CABLE WITH 1.27[.050] NOMINAL O.D. CONDUCTOR INSULATION PER LISTED DRAWING SPECIFICATIONS.

OBSOLETE	3	16.87 [.664]	9.52 [.375]	10.46 [.412]	9.35 [.368]	4	F	4	6-520423-1
OBSOLETE	10	21.95 [.864]	14.60 [.575]	15.54 [.612]	14.43 [.568]	8	E	4	5-520423-9
OBSOLETE	10	16.87 [.664]	9.52 [.375]	10.46 [.412]	9.35 [.368]	4	A	4	5-520423-7
	3	32.11 [1.264]	24.76 [.975]	25.70 [1.012]	24.59 [.968]	16	E	8	5-520423-6
	3	21.95 [.864]	14.60 [.575]	15.54 [.612]	14.43 [.568]	8	E	4	5-520423-3
	3	19.41 [.764]	12.06 [.475]	13.00 [.512]	11.89 [.468]	6	E	4	5-520423-2
	3	16.87 [.664]	9.52 [.375]	10.46 [.412]	9.35 [.368]	4	E	4	5-520423-1
OBSOLETE	3	21.95 [.864]	14.60 [.575]	15.54 [.612]	14.43 [.568]	8	D	4	4-520423-3
	3	16.87 [.664]	9.52 [.375]	10.46 [.412]	9.35 [.368]	4	D	4	4-520423-1
OBSOLETE	3	32.11 [1.264]	24.76 [.975]	25.70 [1.012]	24.59 [.968]	16	C	8	3-520423-6
	3	21.95 [.864]	14.60 [.575]	15.54 [.612]	14.43 [.568]	8	C	4	3-520423-3
	3	19.41 [.764]	12.06 [.475]	13.00 [.512]	11.89 [.468]	6	C	4	3-520423-2
	3	16.87 [.664]	9.52 [.375]	10.46 [.412]	9.35 [.368]	4	C	4	3-520423-1
OBSOLETE	3	32.11 [.664]	24.76 [.975]	25.70 [1.012]	24.59 [.968]	16	B	8	2-520423-6
OBSOLETE	3	21.95 [.864]	14.60 [.575]	15.54 [.612]	14.43 [.568]	8	B	4	2-520423-3
OBSOLETE	3	19.41 [.764]	12.06 [.475]	13.00 [.512]	11.89 [.468]	6	B	4	2-520423-2
	3	16.87 [.664]	9.52 [.375]	10.46 [.412]	9.35 [.368]	4	B	4	2-520423-1
	3	32.11 [.664]	24.76 [.975]	25.70 [1.012]	24.59 [.968]	16	A	8	1-520423-6
	3	21.95 [.864]	14.60 [.575]	15.54 [.612]	14.43 [.568]	8	A	4	1-520423-3
	3	19.41 [.764]	12.06 [.475]	13.00 [.512]	11.89 [.468]	6	A	4	1-520423-2
	3	16.87 [.664]	9.52 [.375]	10.46 [.412]	9.35 [.368]	4	A	4	1-520423-1
FINISH		K	J	H	G	NO OF POSN	KEY I.D. LETTER		PART NO

THIS DRAWING IS A CONTROLLED DOCUMENT.

DIMENSIONS: mm [INCHES]	TOLERANCES UNLESS OTHERWISE SPECIFIED:	DWG B. MCMASTER	08FEB04		Tyco Electronics Corporation Harrisburg, Pa 17105-3608
0 PLC ± - 1 PLC ± - 2 PLC ± - 3 PLC ± 0.25 [.010] 4 PLC ± - ANGLES ± -	M. WALMSLEY 08FEB04	C. ROHDE 08FEB04	NAME PLUG ASSY, FLAT CABLE, 50 SERIES, SDL		
MATERIAL	FINISH	SIZE	CAGE CODE	DRAWING NO	RESTRICTED TO
2	SEE TABLE	A1	00779	520423	-
CUSTOMER DRAWING			SCALE	SHEET	REV
			10:1	1 OF 1	