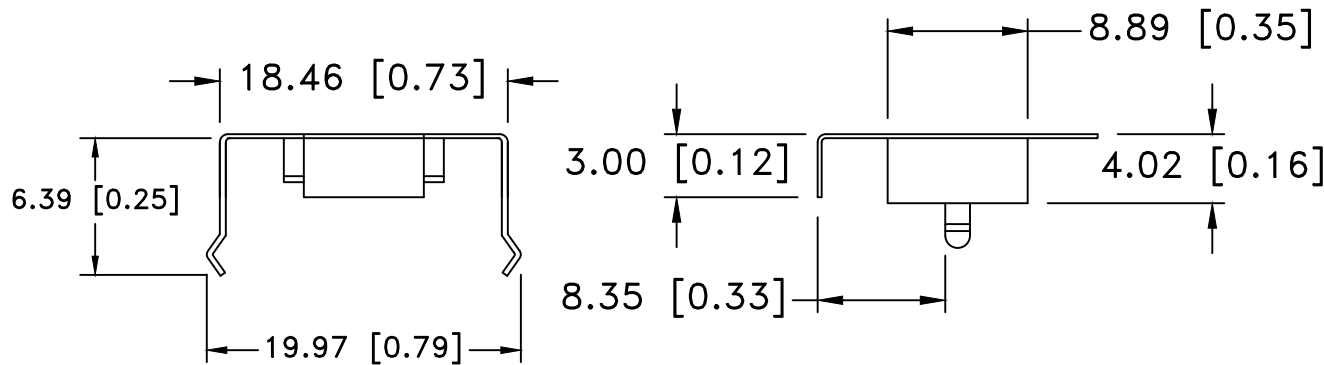
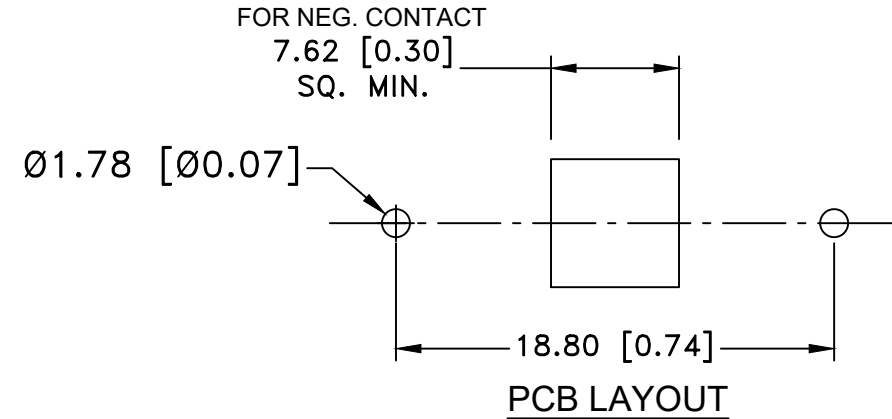
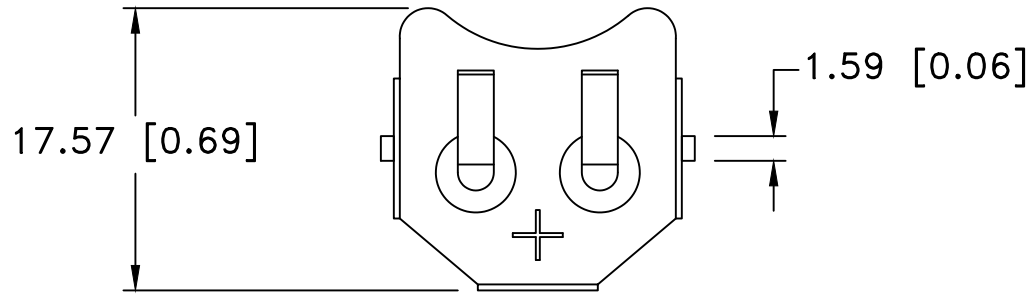


Date	SYM	REVISION RECORD	AUTH	DR.	CK.
8/01/14	D	Added Dim. 8.35 and 4.01	T.B.	B.S.	
11/07/19	E	Added weight of the part	T.B.	B.S.	
01/21/21	F	Dim. 17.57 was 17.53 Dim. 1.59 was 1.52 Dim. 18.46 was 18.54 Dim. 6.39 was 6.35 Dim. 3.00 was 3.05	T.B.	B.S.	




NOTES:

1. MATERIAL:

0.25mm (0.010") PHOSPHOR BRONZE, NICKEL PLATED.

APPROXIMATE WEIGHT: 0.79g

ROHS COMPLIANT

Tolerance (Except as noted)	 Memory Protection Devices, Inc 200 Broad Hollow Road, Farmingdale, New York 11735		
decimal ±.5 (.020)		Scale	Drawn By B.S.
Fractional ± .8 (.030)	Title 16mm SURFACE MOUNT RETAINER		
Angular ± 3°	Date 01/21/21	Drawing Number BK-869	
Approved By T.B.			

CELL SIZE RETAINS BATTERY NUMBERS

16mm CR1616, CR1620, CR1632