

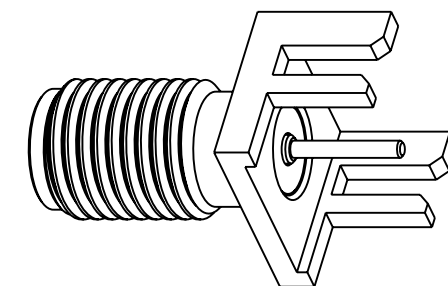
NOTES:

1. MATERIAL AND FINISH (PLATING THICKNESS IN MICRO-INCHES):
 BODY - BRASS, GOLD PLATING
 CONTACT - BRASS, GOLD PLATING
 INSULATOR - PTFE, NATURAL
2. ELECTRICAL:
 A. IMPEDANCE: 50 OHM
 B. FREQUENCY RANGE: DC - 18 GHZ
 C. DIELECTRIC WITHSTANDING VOLTAGE: 1000 VRMS, MIN.
3. MECHANICAL:
 A. DURABILITY: 500 CYCLES MIN.
 B. TEMPERATURE RANGE: - 65°C TO +165°C
4. PCB THICKNESS: 1.57 mm

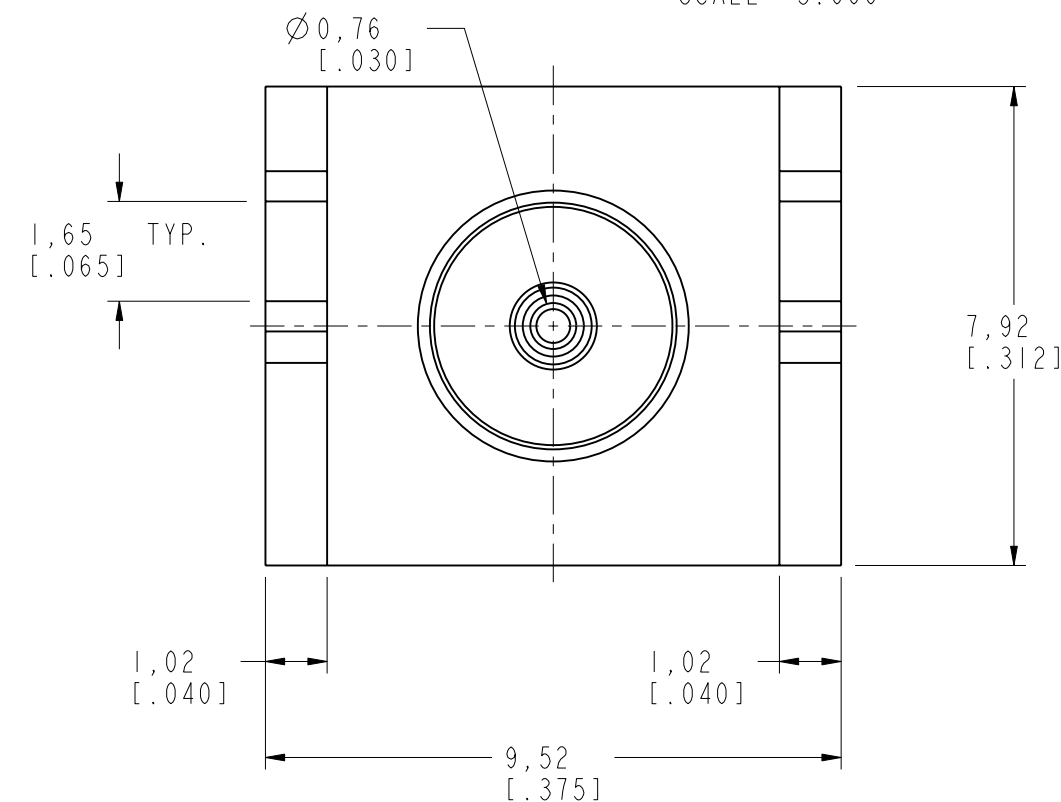
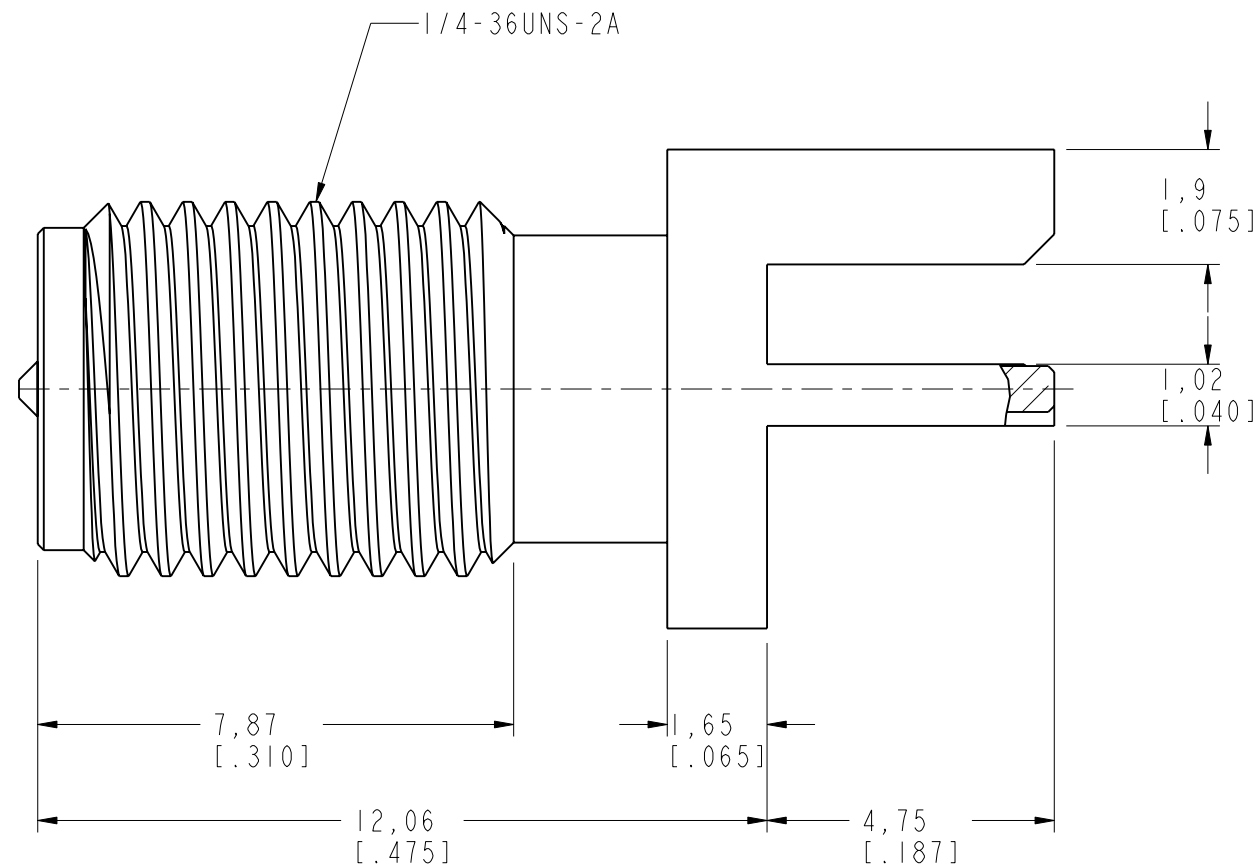
THIRD ANGLE PROJ.

REVISIONS

REV	DESCRIPTION	DATE	ECO	APPR
A	RELEASE TO MFG.	3/7/95	40504	PB
B	SEE SHEET FOR REVISIONS	1/8/98	42230	CPM
C	TRANSFER TO ARFA	11-Aug-10	48225	SH
D	CONTACT AND BODY'S PLATING WERE CHANGED\RD-DMI3050601S4	10-May-13	49560	SL



SCALE 3.000



CUSTOMER OUTLINE DRAWING

ALL OTHER SHEETS ARE FOR INTERNAL USE ONLY

UNLESS OTHERWISE SPECIFIED, DIMENSIONS ARE IN METRIC AND TOLERANCES ARE: <0.5mm ±0.05mm 0.5 - 6mm ±0.1mm 6 - 30mm ±0.2mm 30 - 120mm ±0.3mm ANGLES ±1°	MATERIAL	DRAWN J. CHENG	DATE 10-May-13	TITLE POLARIZED SMA PC EDGE MOUNT RECEPTACLE	Amphenol RF Danbury CT USA, Tainan, Taiwan, Shenzhen, China www.amphenolrf.com
	REFERENCE EAR 111-964374 AND 615X-1143-300 EAR 111-964648 CONFIGURATION LEVEL:	ENGINEER R. VACCARO	DATE 6-Mar-95		
NOTICE - These drawings, specifications, or other data (1) are, and remain the property of Amphenol corp. (2) must be returned upon request; and (3) are confidential and not to be disclosed to any person other than those to whom they are given by Amphenol Corp. the furnishing of these drawings, specifications, or other data by Amphenol Corp., or to any other person to anyone for any purpose is not to be regarded by implication or otherwise in any manner licensing, granting rights to permitting such holder or any other person to manufacture, use or sell any product, process or design, patented or otherwise, that may in any way be related to or disclosed by said drawings, specifications, or other data.	FINISH PER KAI JACK SPEC. EP-SS-9700	CAD FILE I:\SMA\901-9864	SCALE: 8.0:1.0	SHEET 2 OF 2	DRAWING NO. 901-9864
			DWG SIZE B	REV D	ITEM NO. 901-9864
					PART NO. 901-9864