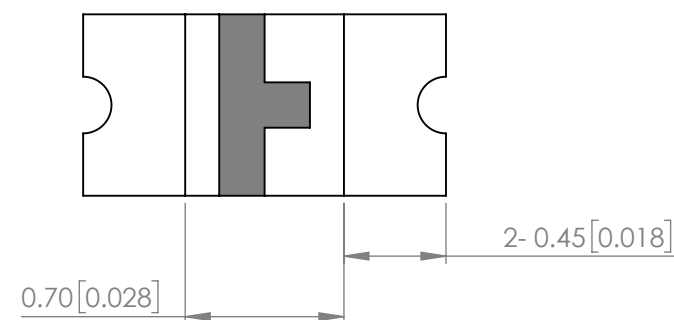
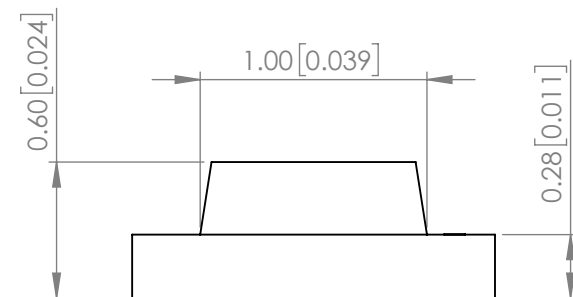
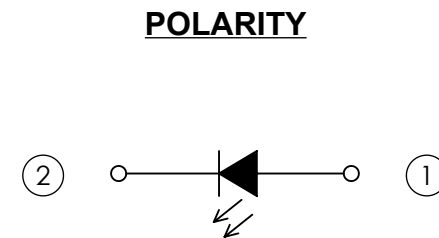
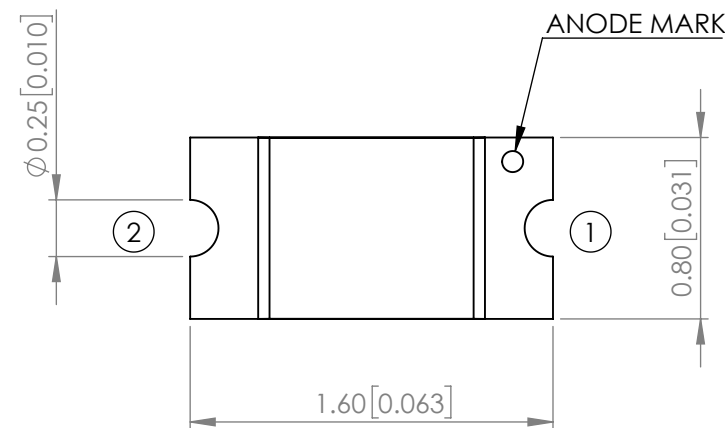
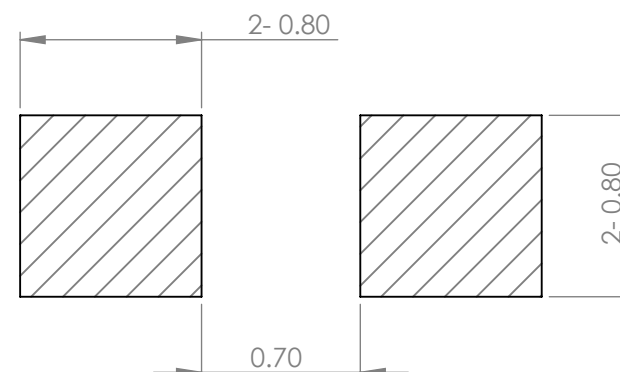


| PART NUMBER |                                     | SML-LX0603SRW-TR | REV | L        |
|-------------|-------------------------------------|------------------|-----|----------|
| REV         | E.C.N. NUMBER AND REVISION COMMENTS |                  |     | DATE     |
| A           | ECN # 10BRDR. & REDRAWN             |                  |     | 09.17.97 |
| B           | E.C.N. #10644                       |                  |     | 09.30.98 |
| C           | E.C.N. #10933.                      |                  |     | 04.30.99 |
| D           | E.C.N. #10644                       |                  |     | 07.18.00 |
| E           | E.C.N. #10933.                      |                  |     | 12.03.02 |
| F           | E.C.N. #10967.                      |                  |     | 03.14.03 |
| G           | E.C.N. #11061.                      |                  |     | 11.20.03 |
| H           | E.C.N. #11148.                      |                  |     | 12.03.04 |
| I           | E.C.N. #11508.                      |                  |     | 05.27.08 |
| J           | ECN # 10BRDR.                       |                  |     | 09.26.11 |
| K           | ECN-Lumex201700006                  |                  |     | 03.08.17 |
| L           | ECN-Lumex201900133                  |                  |     | 11.06.19 |



**RECOMMENDED SOLDER PAD LAYOUT**



**ELECTRO-OPTICAL CHARACTERISTIC TA=25°C**

| PARAMETER          | MIN                  | TYP | MAX | UNITS       | TEST COND |
|--------------------|----------------------|-----|-----|-------------|-----------|
| PEAK WAVELENGTH    | -                    | 660 | -   | nm          | If=20mA   |
| FORWARD VOLTAGE    | -                    | 1.7 | 2.2 | Vf          | If=20mA   |
| REVERSE CURRENT    | -                    | -   | 100 | uA          | VR=5V     |
| LUMINOUS INTENSITY | -                    | 15  | -   | mcd         | If=20mA   |
| VIEWING ANGLE      | -                    | 120 | -   | 2x theta1/2 | If=20mA   |
| EMITTED COLOR      | RED                  |     |     |             |           |
| EPOXY LENS FINISH  | MILKY WHITE DIFFUSED |     |     |             |           |

**ABSOLUTE MAXIMUM RATINGS TA=25°C**

| PARAMETER             | MAX         | UNITS |
|-----------------------|-------------|-------|
| PEAK FORWARD CURRENT* | 40          | mA    |
| FORWARD CURRENT       | 20          | mA    |
| REVERSE VOLTAGE       | 5           | V     |
| POWER DISSIPATION     | 44          | mW    |
| STORAGE TEMPERATURE   | -40 TO +100 | °C    |
| OPERATING TEMPERATURE | -40 TO +85  | °C    |

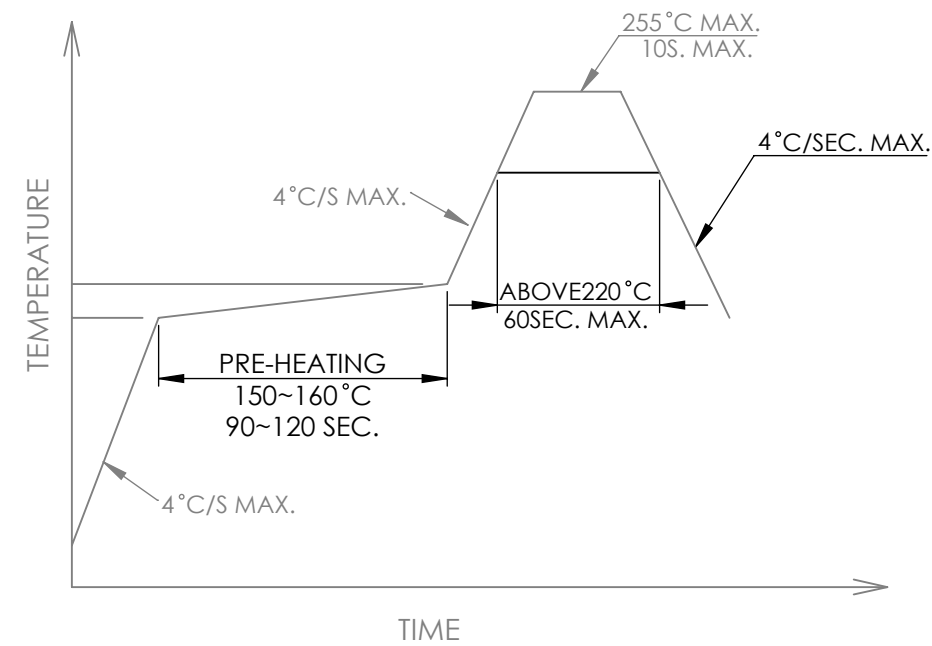
\*t<10us

MOISTURE SENSITIVE DEVICE  
PER JEDEC LEVEL 2a STANDARDS

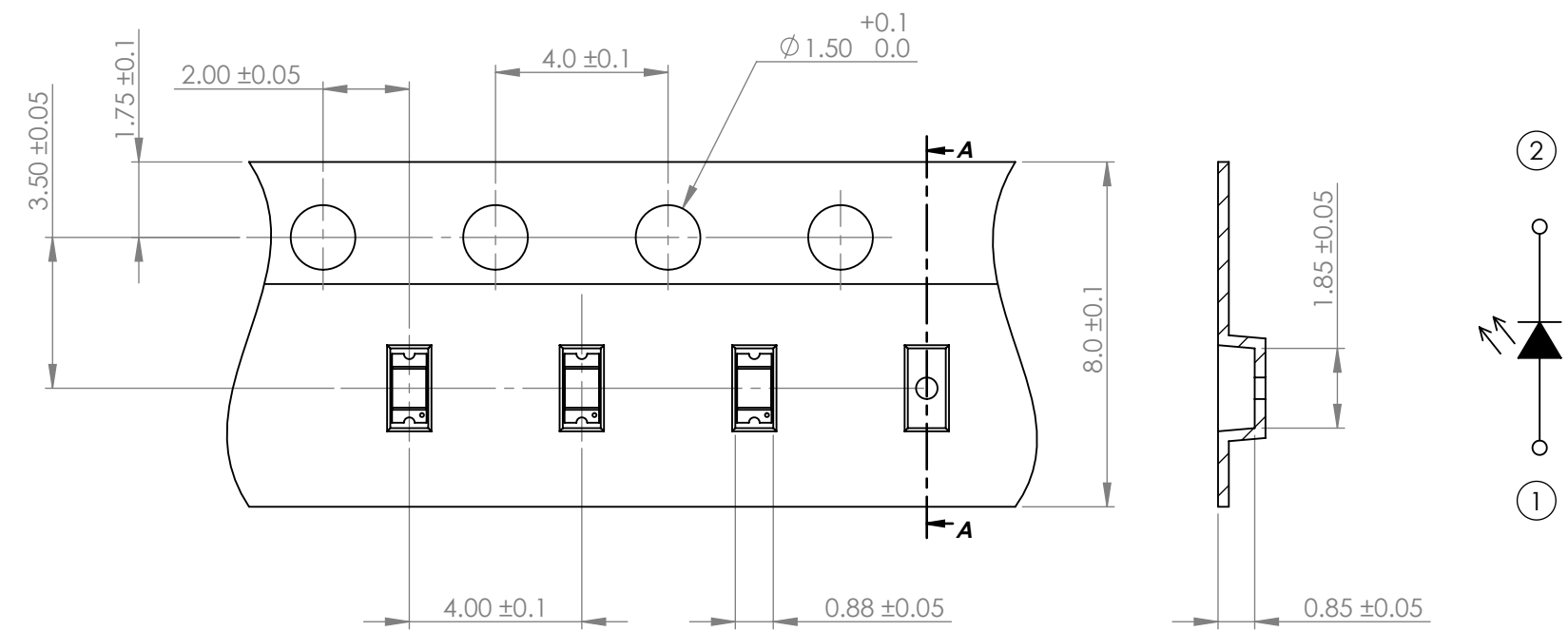
STATIC DEVICE FOLLOW PROPER  
E.S.D. HANDLING PROCEDURES  
WHEN WORKING WITH THIS PART

\*UNLESS OTHERWISE SPECIFIED TOLERANCES PER DECIMAL PRECISION ARE: X=±1 (±0.039), X.X=±0.5 (±0.020), X.XX=±0.25 (±0.010), X.XXX=±0.127 (±0.005). LEAD SIZE=±0.05 (±0.002), LEAD LENGTH=±0.75 (±0.030). MIN.=<sup>+DECIMAL PRECISION</sup>/<sub>-0.00</sub> MAX.=<sup>+0.00</sup>/<sub>-DECIMAL PRECISION</sub>


**PROFILE**



**CARRIER TAPE DIMENSION**



\*UNLESS OTHERWISE SPECIFIED TOLERANCES PER DECIMAL PRECISION ARE: X=±1 (±0.039), X.X=±0.5 (±0.020), X.XX=±0.25 (±0.010), X.XXX=±0.127 (±0.005). LEAD SIZE=±0.05 (±0.002), LEAD LENGTH=±0.75 (±0.030). MIN= <sup>+DECIMAL PRECISION</sup> / <sub>-0.00</sub> MAX= <sup>+0.00</sup> / <sub>-DECIMAL PRECISION</sub>

|   |   |  |                   |                 |
|---|---|--|-------------------|-----------------|
|  <p>425 N. GARY AVE.<br/>CAROL STREAM, IL 60188<br/>PHONE : 800-278-5666<br/>FAX : 630-315-2150<br/>WEB : WWW.LUMEX.COM</p> | 1.6(L)*0.8(W)*0.6(H)mm, PCB CHIP, SURFACE MOUNT LED, 660nm RED LED, MILKY WHITE DIFFUSED LENS.  |  | DATE : 2019.11.06 | DRAWN BY : C.S. |
|   | **THE SPECIFICATIONS MAY CHANGE AT ANY TIME WITHOUT NOTICE.**   |  | PAGE : 2 OF 2     | CHKD BY : E.C.  |
|   | CONFIDENTIAL INFORMATION<br>THE INFORMATION CONTAINED IN THIS DOCUMENT IS THE PROPERTY OF LUMEX INC. EXCEPT AS SPECIFICALLY AUTHORIZED IN WRITING BY LUMEX INC., THE HOLDER OF THIS DOCUMENT SHALL<br>KEEP ALL INFORMATION CONTAINED HEREIN CONFIDENTIAL AND SHALL PROTECT SAME IN WHOLE OR IN PART FROM DISCLOSURE AND DISSEMINATION TO ALL THIRD PARTIES. |  | SCALE : NTF       | APRVD BY : G.Y. |
|   |   |  | UNIT : mm [INCH]  | (No)            |