

Potentiometer Ø 22 mm EP Part number 88950109



- Direct-read potentiometer (controlled externally) Ø 22 mm
- IP65 degree of protection on front panel
- Directly compatible with the "Potentiometer" parameter of an analogue input on the Millenium 3

Part numbers

| Type | Description | Supply |
|-------------|---|-------------|
| 88950109 EP | External potentiometer for value adjustment | 30 V DC max |

Specifications

Environmental characteristics

| | |
|-----------------------|--|
| Protection rating | In accordance with IEC/EN 60529 : IP65 on front panel IP10 on terminal block |
| Operating temperature | -20 → +60 °C |
| Storage temperature | -20 → +70 °C |

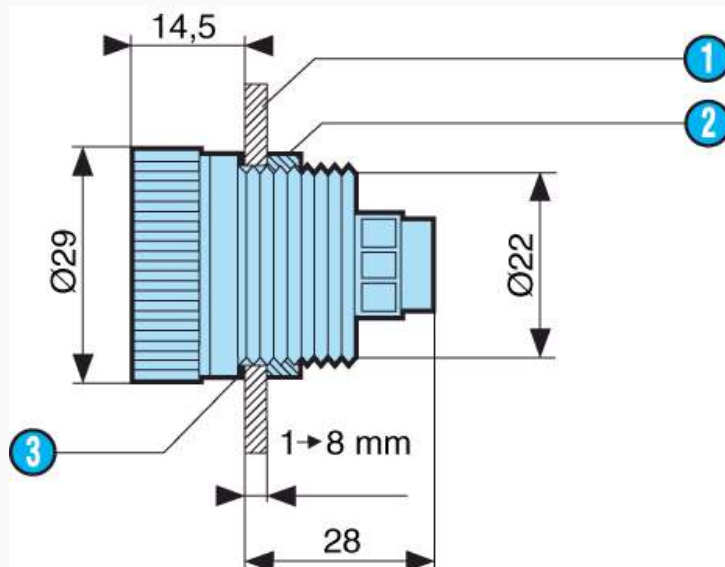
Electrical characteristics

| | |
|-------------|--------|
| Ohmic value | 4700 Ω |
| Tolerance | ± 20 % |
| Power | 150 mW |

Mechanical characteristics

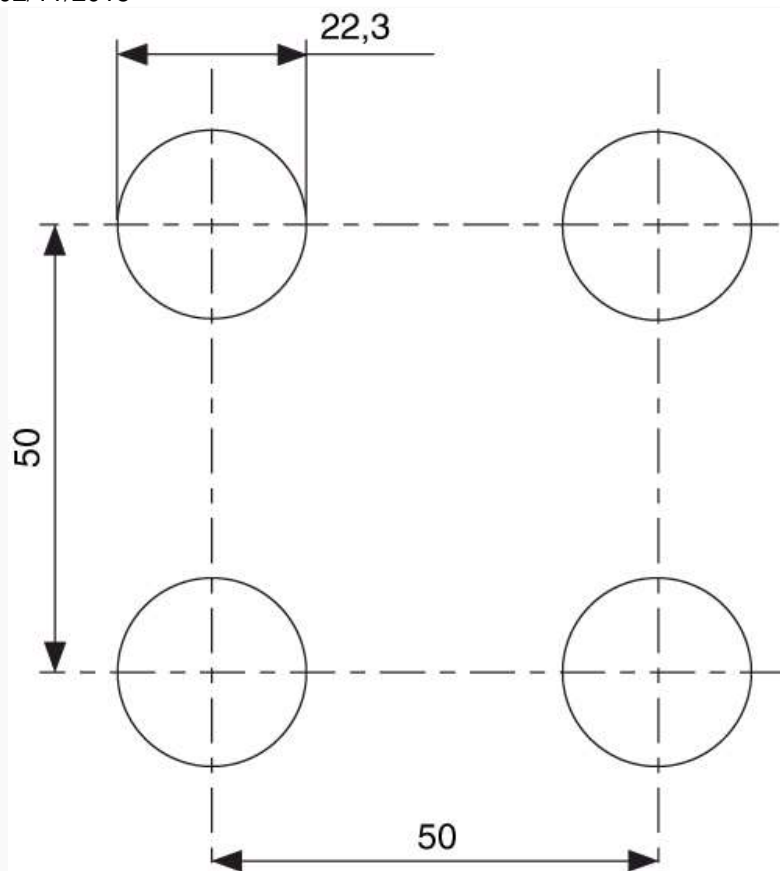
| | |
|-------------------------------------|---|
| Screw terminals connection capacity | 1 x 4 mm ² rigid 1 x 2.5 mm ² flexible |
|-------------------------------------|---|

Dimensions (mm)

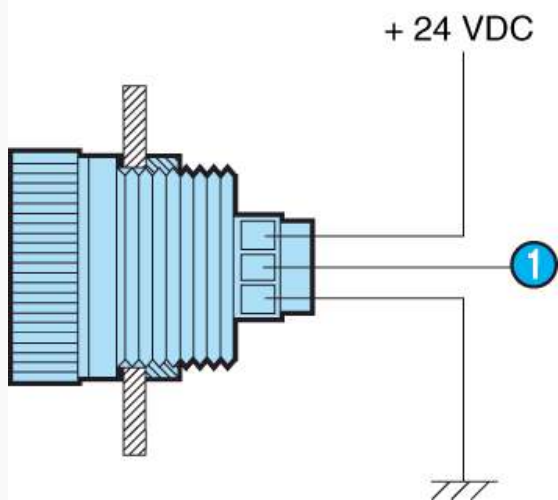


| N° | Legend |
|----|--------|
| ① | Panel |
| ② | Nut |
| ③ | Seal |

Dimensions (mm)



Connections



| N° | Legend |
|----|----------------|
| 1 | Analogue input |