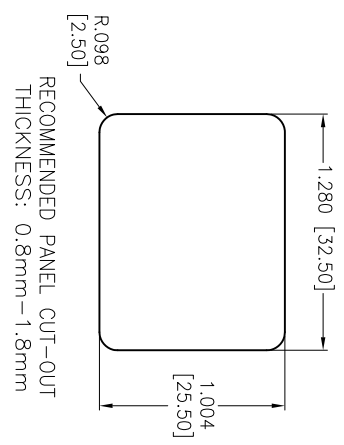
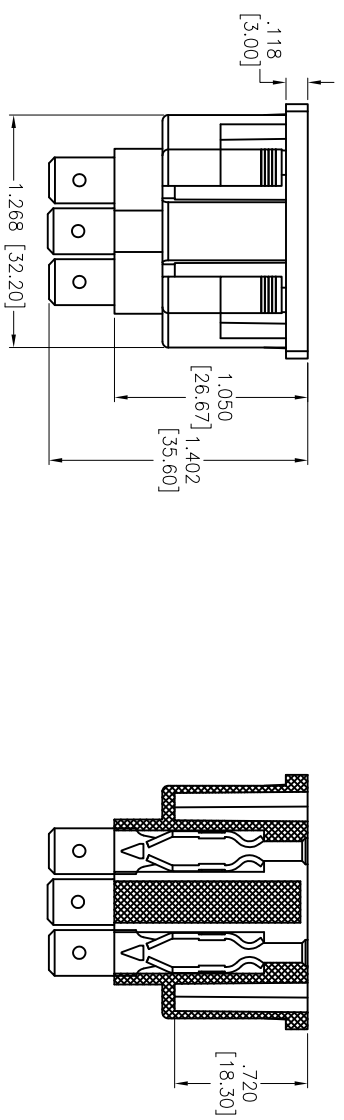
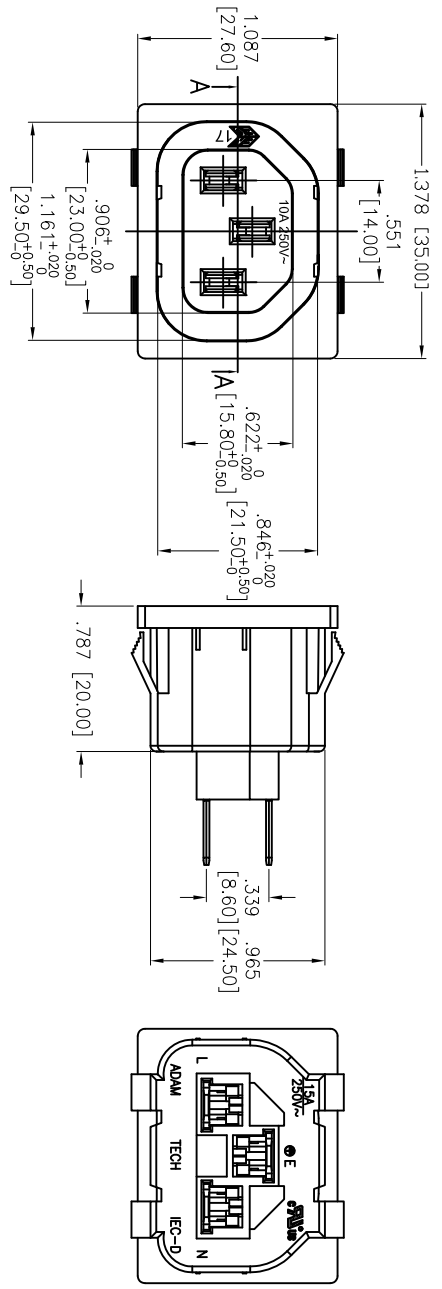


APPROVED: \_\_\_\_\_  
 DATE: \_\_\_\_\_ TITLE: \_\_\_\_\_

Rev	AWO #	Description	Date	Appr
-		RELEASED	6/17/05	
A		REDRAWN	12/13/13	AY



TERMINAL OPTIONS		
-1	-2	-3
.187 Q.C.	.250 Q.C.	.157 Solder

**SPECIFICATIONS:**

Material:  
 Insulator: PA66, rated UL 94V-0  
 Insulator color: Black  
 Contacts: Copper Alloy  
 Plating:  
 Tin over Copper underplate overall  
 Electrical:  
 Current rating: C-ULus: 15A @ 250V  
 ENEC: 10A @ 250V  
 Insulation resistance: 100 Mohms min @ 500 VDC  
 Dielectric withstanding voltage: 3,000 VAC for 1 minute  
 Environmental:  
 Lead free, RoHS compliant



**ADAM TECH**

909 Rahway Avenue, Union, NJ 07083  
 Phone: 908-687-5000 Fax: 908-687-5710

IEC FEMALE OUTLET  
 SNAP-IN PANEL MOUNT

UNLESS OTHERWISE SPECIFIED ALL DIMENSIONS ARE INCHES [MM]	
TOLERANCES EXCEPT AS NOTED	HOLE SIZES
.X ± .10	ØXX ± .10
.XX ± .020	ØXXX ± .015
.XXX ± .015	ØXXXX ± .010
APPROVALS	DATE
DRAWN SS	6/17/05
CHECKED	
APPROVED	

TITLE	IEC FEMALE OUTLET SNAP-IN PANEL MOUNT	
SIZE	PART NO.	REV.
X	IEC-D-X	A
REF: S00087C	SCALE: NTS	SHEET 1 OF 1