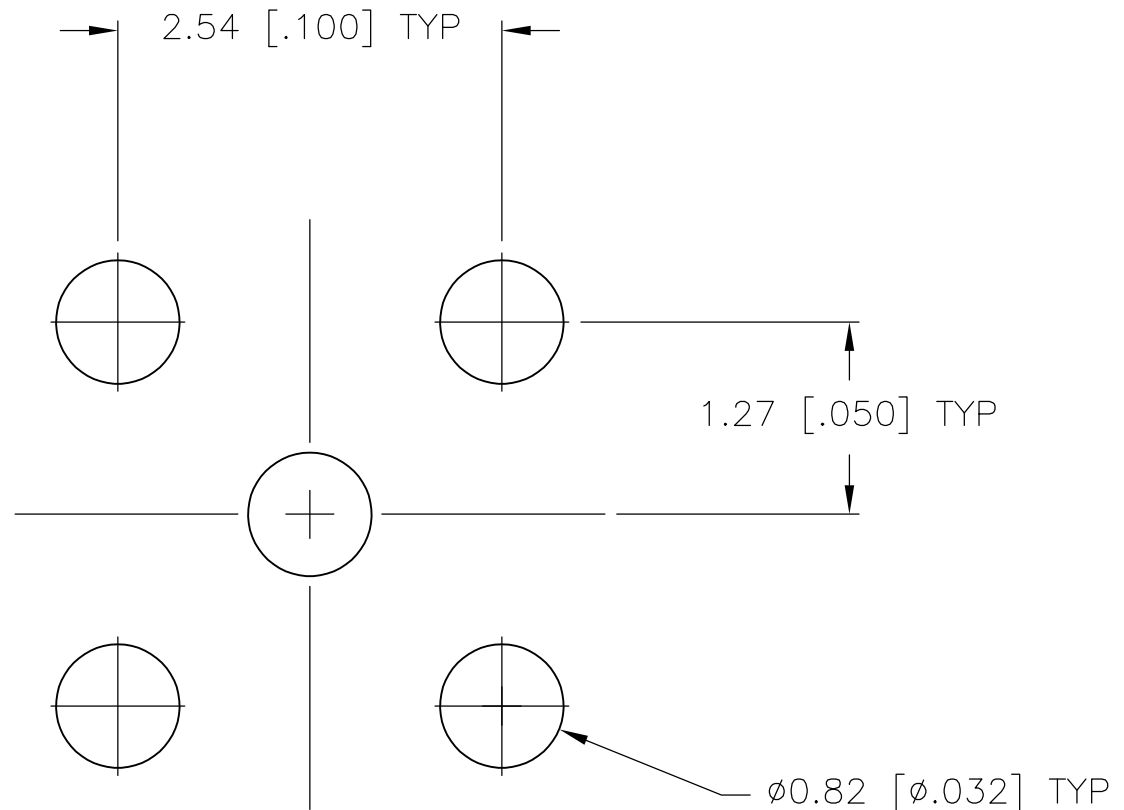
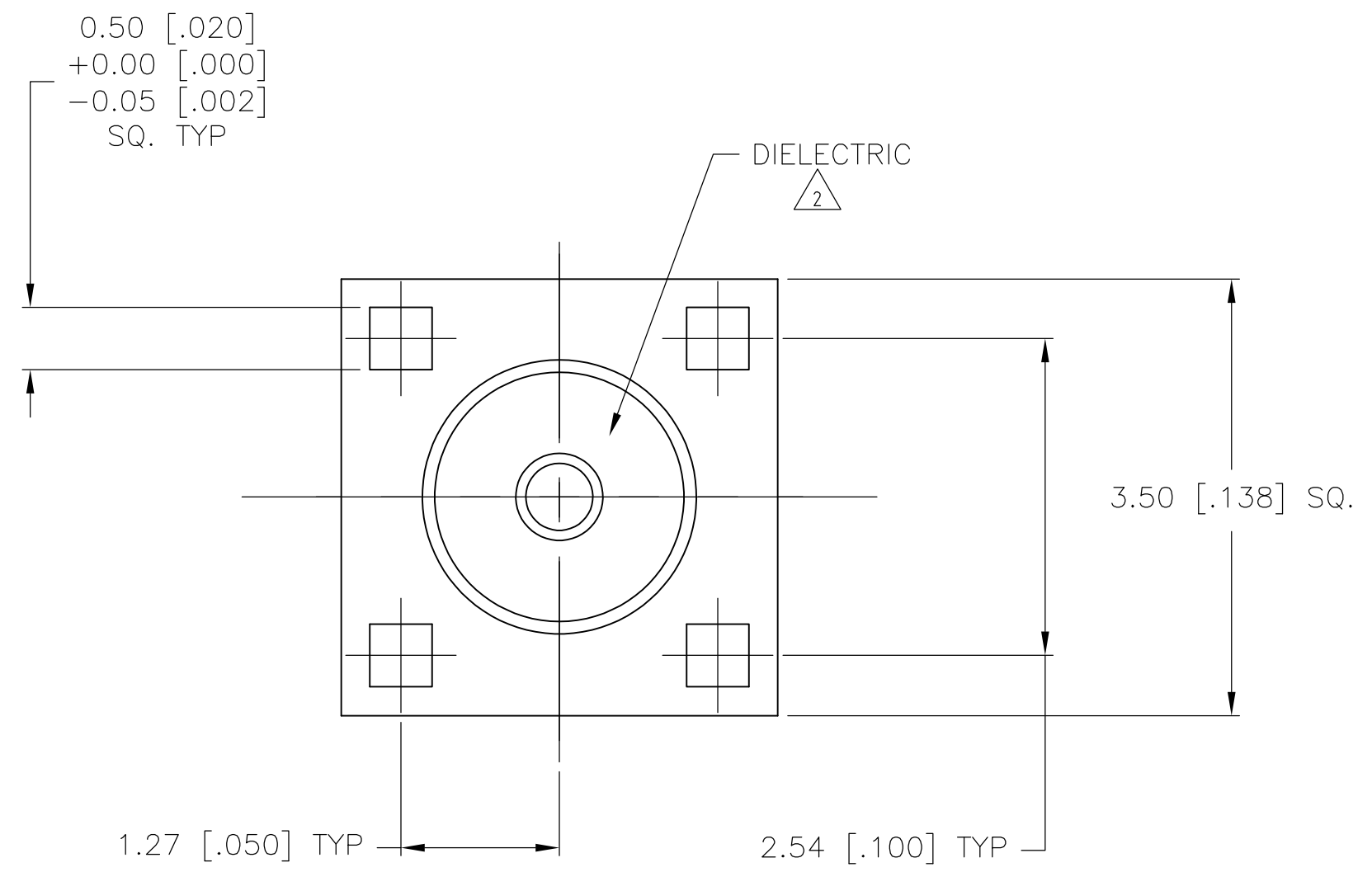
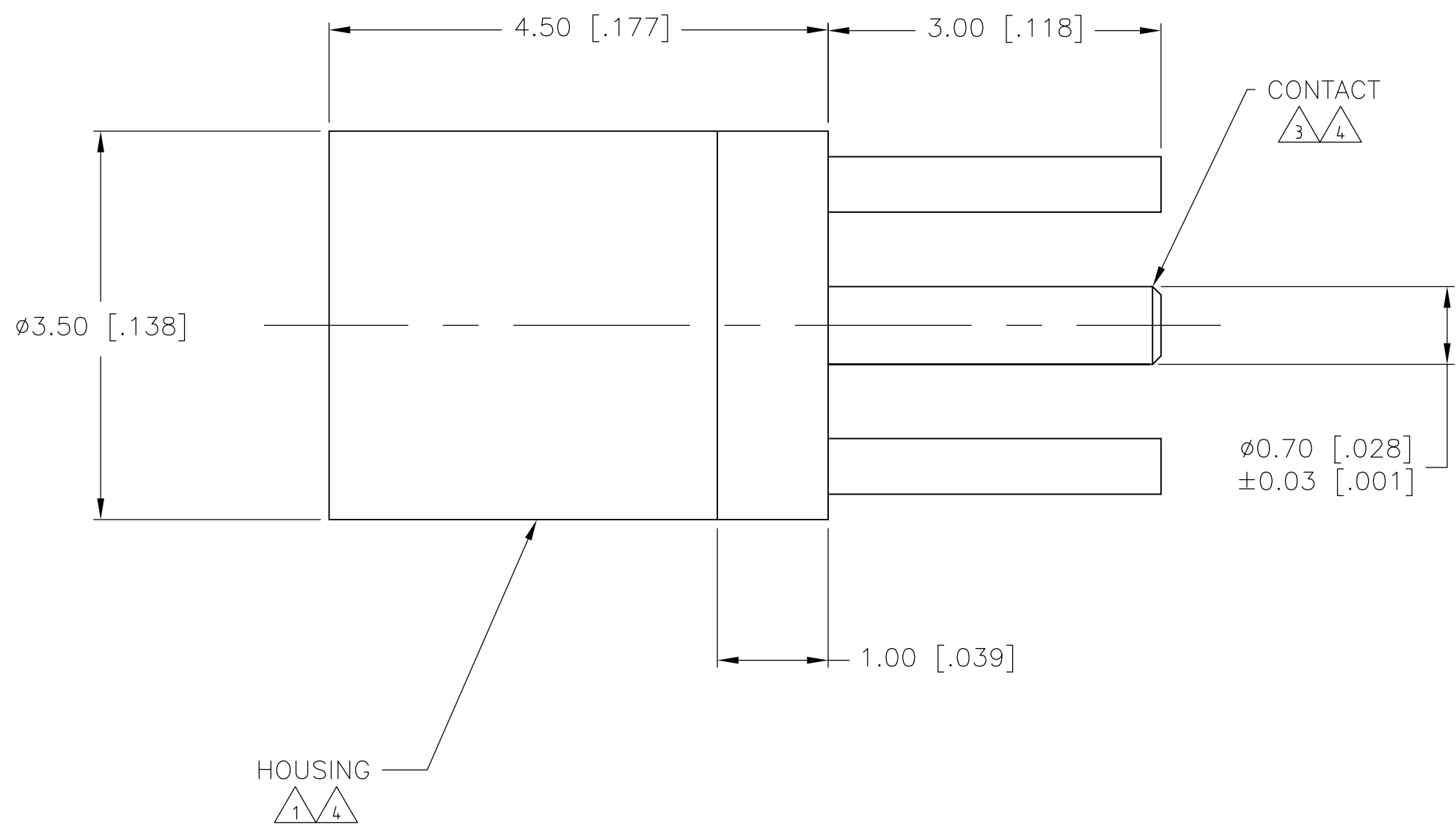


THIS DRAWING IS UNPUBLISHED. RELEASED FOR PUBLICATION
 © COPYRIGHT - By - ALL RIGHTS RESERVED.

LOC		DIST		REVISIONS			
P	LTR	DESCRIPTION		DATE	DWN	APVD	
		C1	REVISED PER ECO-11-005030	11MAR11	RK	HMR	



RECOMMENDED PCB LAYOUT
 TOLERANCE: ± 0.08 [.003]

- 1 BRASS PER ASTM-B-16
- 2 PTFE PER ASTM-D-1710
- 3 BERYLLIUM COPPER PER ASTM-B-196
- 4 GOLD PLATE PER MIL-G-45204

1408150-1
 PART NUMBER

THIS DRAWING IS A CONTROLLED DOCUMENT.		DWN	18DEC01	TE Connectivity NAME MMCX STRAIGHT PCB JACK			
DIMENSIONS: mm[INCHES]		CHK	18DEC01				
TOLERANCES UNLESS OTHERWISE SPECIFIED:		APVD	18DEC01				
0 PLC ± - 1 PLC ± - 2 PLC ± 0.15 [.006] 3 PLC ± - 4 PLC ± - ANGLES ± 5°		PRODUCT SPEC	108-2084				
MATERIAL		WEIGHT		SIZE	CAGE CODE	DRAWING NO	RESTRICTED TO
-		0.45g/.016oz		A2	00779	C=1408150	-
FINISH		CUSTOMER DRAWING		SCALE	SHEET	REV	
-		-		20:1	1 of 1	C1	