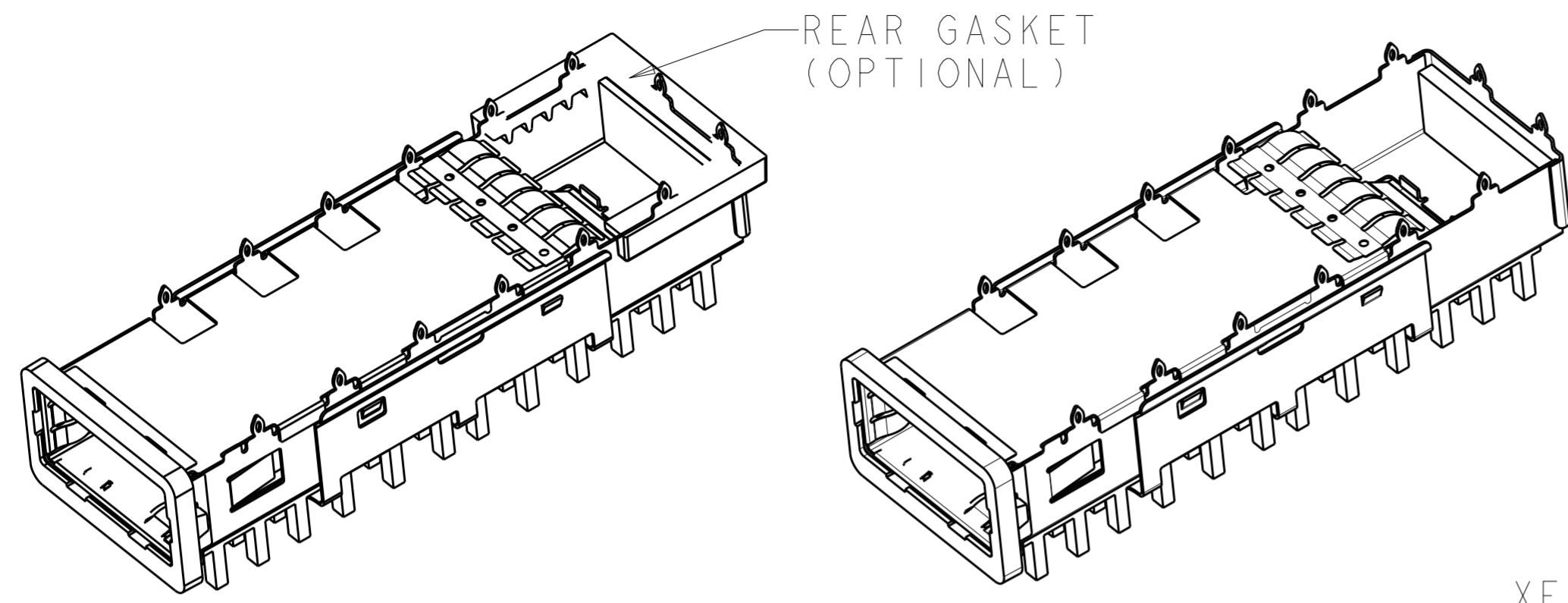


THIS DRAWING IS UNPUBLISHED. RELEASED FOR PUBLICATION 20  
 © COPYRIGHT 20 BY - ALL RIGHTS RESERVED.

LOC	DIST	REVISIONS					
GP	00	P	LTR	DESCRIPTION	DATE	DWN	APVD
		C1		REVISED PER ECO-11-012169	15JUN2011	KS	MQ.W
		C2		REV PER ECR-11-021282	19OCT2011	DZ	MQ.W
		D		REVISED PER ECO-12-016753	27SEP2012	JY	AC
		D1		REVISED PER ECO-16-004629	25MAR2016	PP	SH

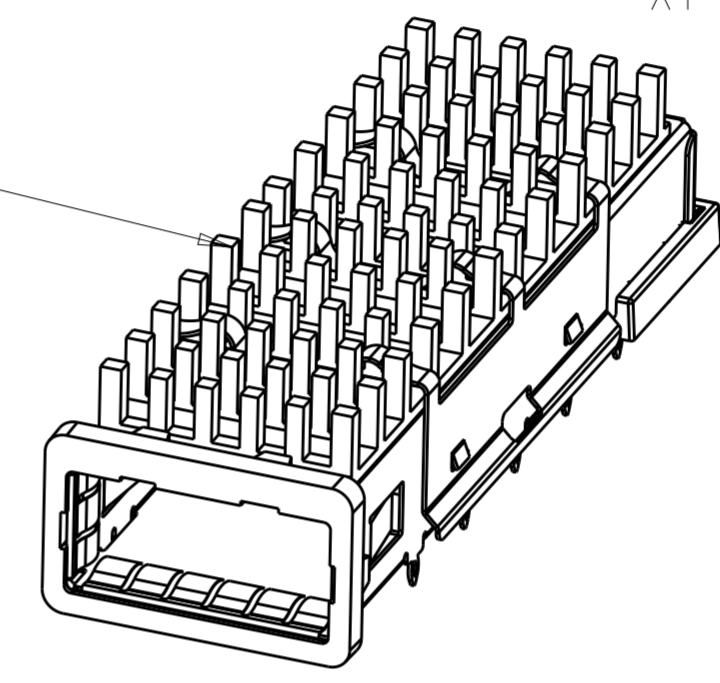


1888116-1/2/3/4  
SCALE 2:1

1888116-5  
SCALE 2:1

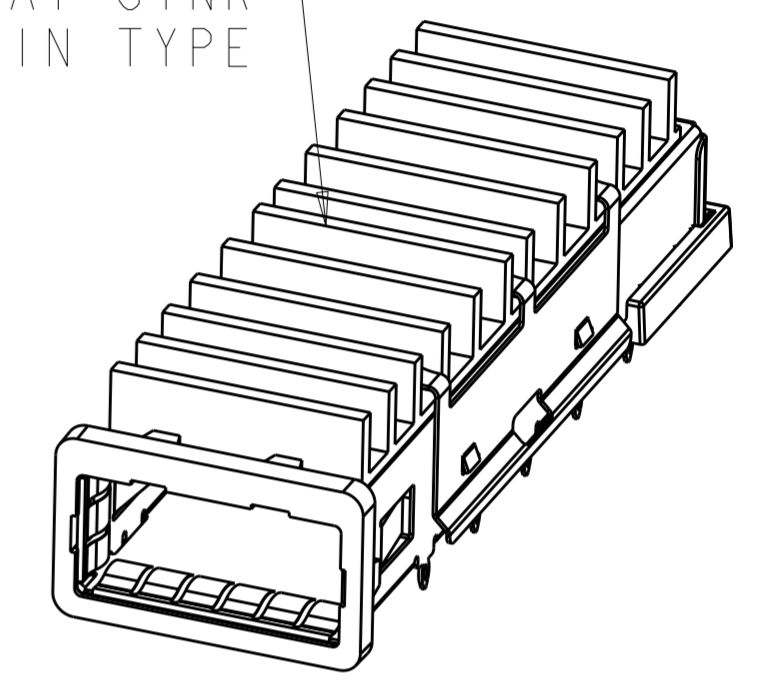
1. MATES WITH XFP MSA COMPLIANT TRANSCEIVERS.
2. SEE COMPONENT DRAWINGS FOR COMPONENT DIMENSIONS AND INFORMATION.

XFP HEAT SINK  
PIN TYPE

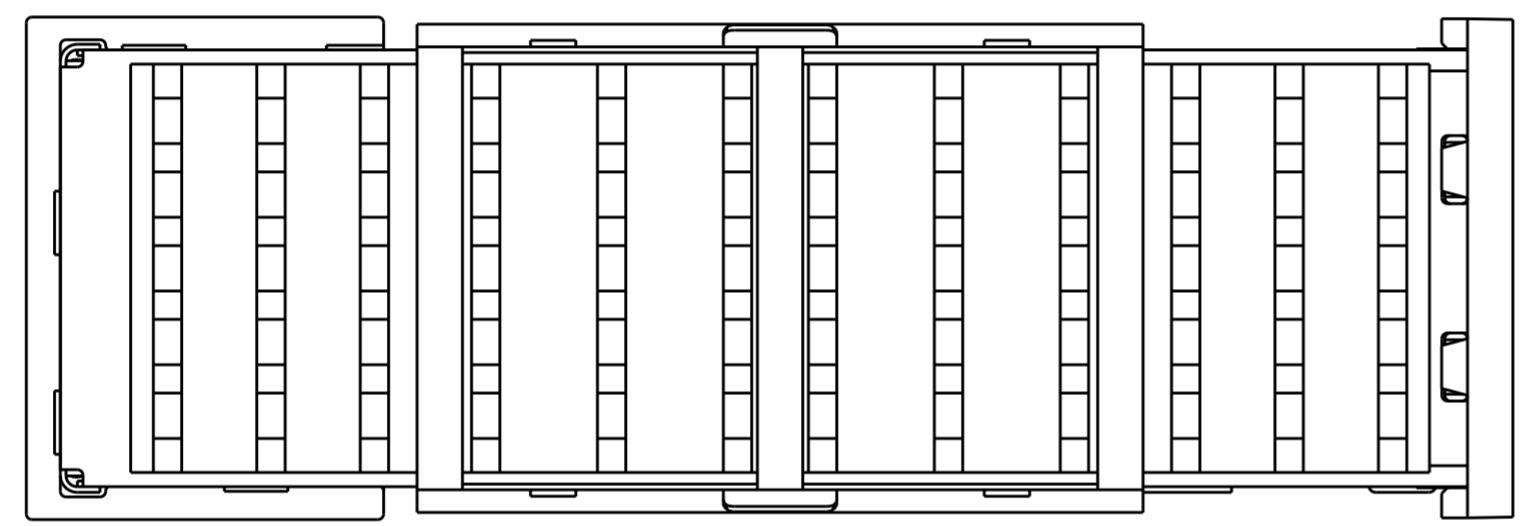


1888116-1, -2, -5  
SCALE 2:1

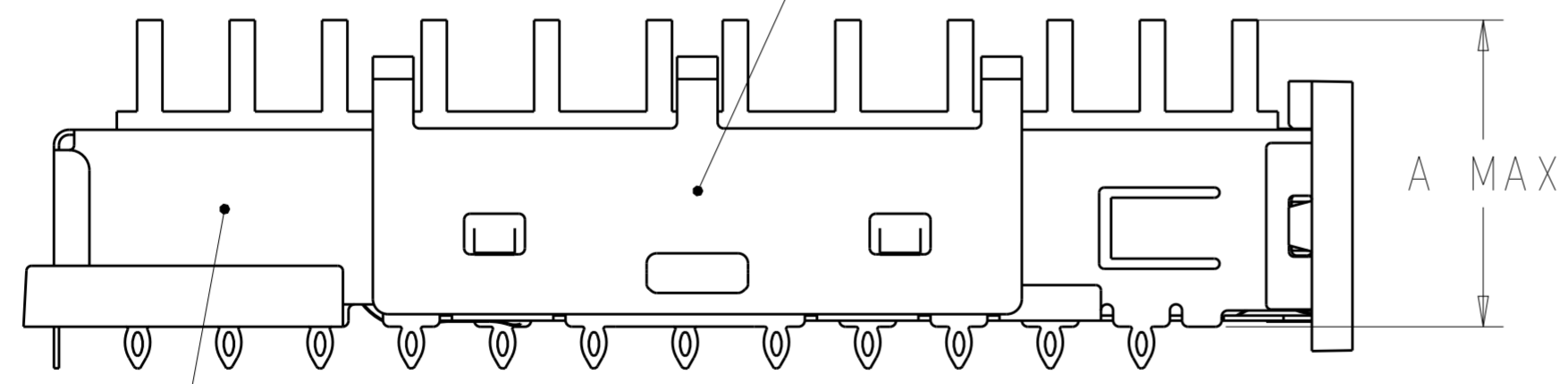
XFP HEAT SINK  
FIN TYPE



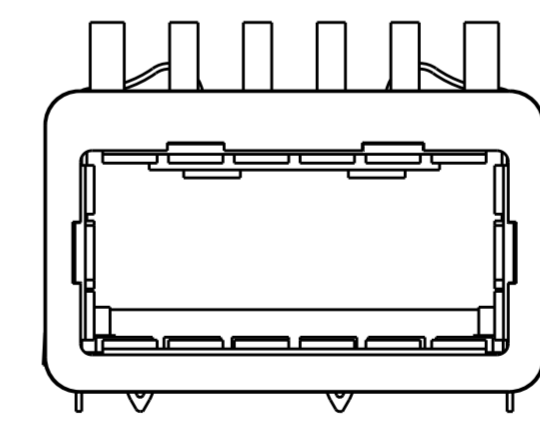
1888116-3, -4  
SCALE 2:1



XFP HEAT SINK CLIP



XFP CAGE ASSEMBLY



REAR GASKET	A MAX	APPLICATION	PART NUMBER
W/O	15.8	SAN	1888116-5
W/	13.6	PCI	1888116-4
W/	15.8	SAN	1888116-3
W/	13.6	PCI	1888116-2
W/	15.8	SAN	1888116-1

THIS DRAWING IS A CONTROLLED DOCUMENT.

DIMENSIONS: mm	TOLERANCES UNLESS OTHERWISE SPECIFIED: 0 PLC ± 1 PLC ± 2 PLC ± 3 PLC ± 4 PLC ± ANGLES ± FINISH	DWN J.GERACE 28NOV05	TE Connectivity
		CHK J.KOPPENHEFFER 28NOV05	
		APVD M.WALMSLEY 28NOV05	NAME XFP KIT ASSEMBLY
		PRODUCT SPEC 108-2127	
		APPLICATION SPEC 114-13096	
MATERIAL		WEIGHT	SIZE CAGE CODE DRAWING NO RESTRICTED TO
			A200779 C-1888116
		CUSTOMER DRAWING	SCALE 4 SHEET 1 OF 1 REV D1