

Specifications:

Stack Number:	1			
LED Color:	GREEN			
Connection Wires:	Green and Brown			
LED Current Draw:	<50 mA			
Rated Voltage:	24 VAC/DC			
Operating Voltage:	20-28 VAC/DC			
Sound Level Category:	Loud	Loud	Loud	Loud
Mode of Operation:	Continuous	Medium Pulse (5PPS)	Double Pulse (0.5PPS)	Continuous for 5 sec then 0.1s beep until reset
Connection:	Black and Gray Wires	Black and Gray Wires; Orange wire connected to	Black and Gray Wires; Purple wire connected to Green/Yellow wire	Black and Gray wires; Orange and Purple wires connected to Green/Yellow wire
Sound Current Draw:	40mA Max.	40mA Max.	40mA Max.	40mA Max.
Loudness @ 1m:	80-85 dB(A) Typ.			
Frequency:	2000 ± 500 Hz			
Total Max Current:	<90mA with all LED's and sound unit working			
Operating Temperature:	-25° ~ +60°C			
Lens Color:	Opaque White			
Material:	ABS FR15U			
Mounting Method:	Direct Mount using 1/2" NPT Stainless Steel Pipe and Nut			
Weight Typical (g):	270			
NEMA 12:	Approved			
Options:	Please contact factory.			

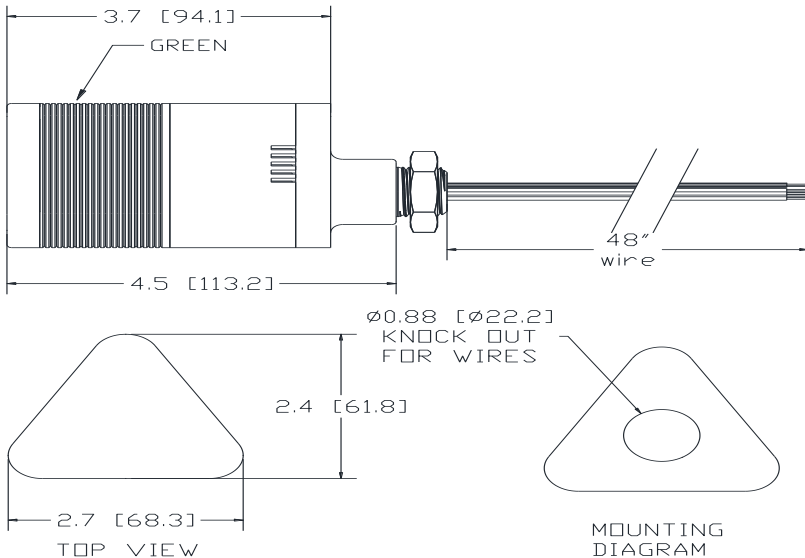
Dimensions:

Inches (mm)

cUL Recognized

ROHS Compliant

PATENT NUMBER D898600 10309594



LED OPERATION: CONNECT STACK COLOR WIRE TO POWER AND BROWN WIRE TO POWER.

SOUND OPERATION: CONNECT GRAY AND BLACK WIRES TO POWER FOR CONTINUOUS SOUND.
 FOR MEDIUM PULSE, CONNECT GRAY & BLACK TO POWER AND ORANGE WIRE TO GREEN/YELLOW WIRE.
 FOR DOUBLE PULSE, CONNECT GRAY & BLACK TO POWER AND PURPLE WIRE TO GREEN/YELLOW WIRE.
 FOR CONT/BEEP, CONNECT GRAY & BLACK TO POWER AND ORANGE & PURPLE TO GREEN/YELLOW WIRE.