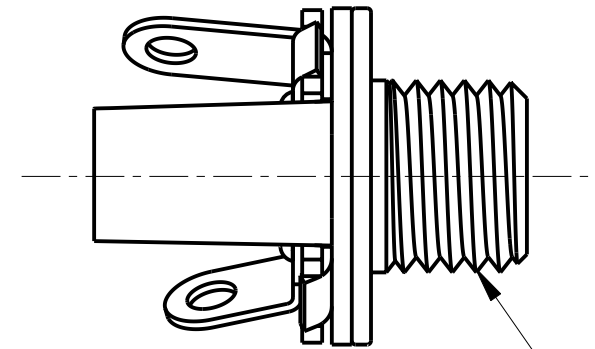
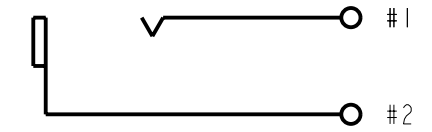


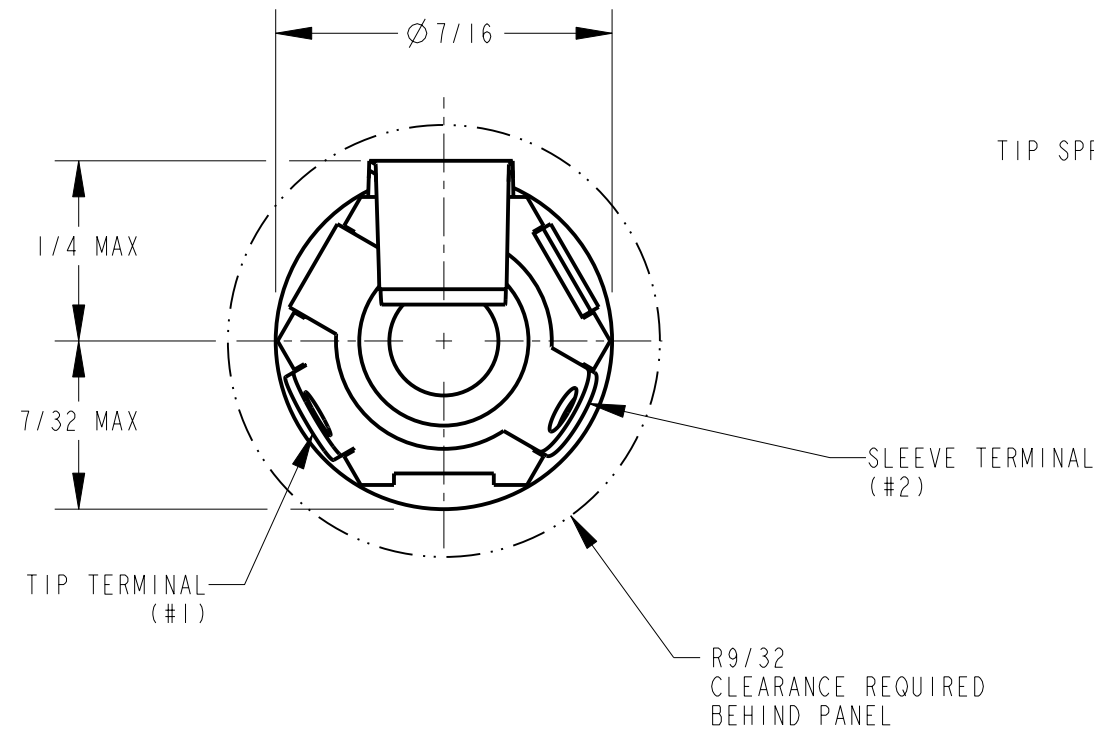
SCALE 3:1



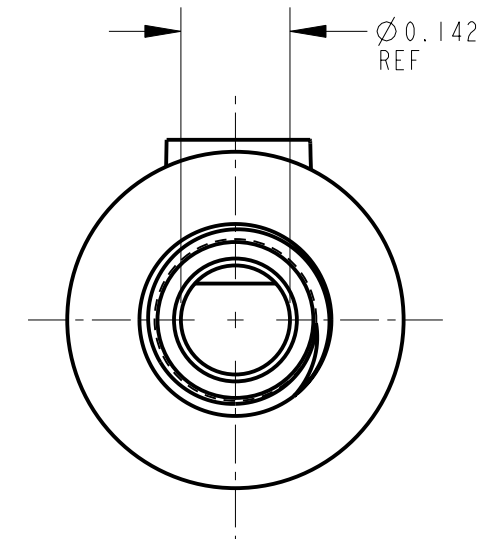
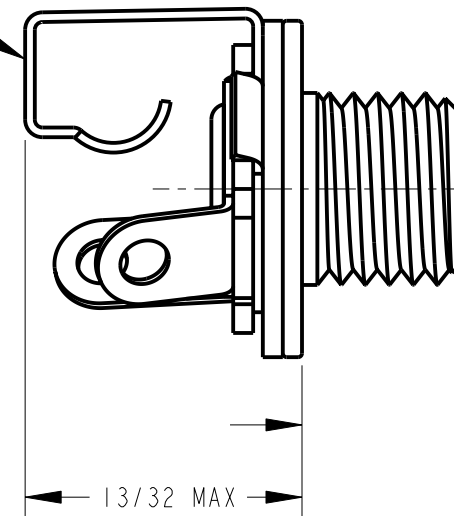
1/4-32 UNEF-2A THREAD



SCHEMATIC CIRCUIT



TIP SPRING



NOTES:

1. K163A WASHER AND K163B NUT SHIPPED UNASSEMBLED.
2. REQUIREMENTS:
 SPRING LIFE: INSERTION AND WITHDRAWAL: 5000 CYCLES.
 DIELECTRIC STRENGTH: 250 VRMS A.C. BETWEEN TIP SPRING AND BUSHING.
3. MATERIALS:
 BUSHING - BRASS, NICKEL PLATED
 INSULATORS - PHENOLIC & THERMOPLASTIC
 TIP SPRING - NICKEL SILVER, SILVER PLATED
 SLEEVE TERMINAL - BRASS, HOT TIN DIPPED
 WASHER - STEEL, NICKEL PLATED
 NUT - COPPER ALLOY, NICKEL PLATED

CUSTOMER DRAWING

REV	ECO NUMBER	DATE	BY	APVD
D	27196	8-28-13	TO	TJK
C	ECO #20875	7-10-97	MM	JF
B	20627	3-9-96	SG	SG
A	FIRST DRAWN	3-31-94	SG	GHJ
REVISIONS				

★ STAR SYMBOL DENOTES CRITICAL DIMENSION

UNLESS OTHERWISE SPECIFIED

1. ALL DIMENSIONS IN INCHES
 - TWO PLACE DECIMALS ±0.01
 - THREE PLACE DECIMALS ±0.005
 - FRACTIONAL DIMENSIONS ±1/64
 - ANGLES ±1°
 - ALL DIA. CONCENTRIC WITHIN 0.005 T.I.R.
2. FEATURES ON THE SAME CENTERLINE MUST BE ALIGNED WITHIN ±0.002
3. REMOVE ALL BURRS

DO NOT SCALE DRAWING

THIS DRAWING DESCRIBES A DESIGN CONSIDERED PROPRIETARY IN NATURE, DEVELOPED AND MANUFACTURED BY SWITCHCRAFT INC. AND IS RELEASED ON A CONFIDENTIAL BASIS FOR IDENTIFICATION PURPOSES ONLY.

SIZE	WIDTH	MULT	LBS/M	TEMPER
FINISH		MATERIAL		
SPEC No.		SPEC No.		
FIRST USED ON		SCALE		
		4:1		
DATE DRAWN	BY	CHKD	APVD	
31-Mar-94	SG	BD	GHJ	
		4-18-94	4-18-94	
NAME		PART No.		REV
3.5 MM 2 CONDUCTOR JAX		35PM1		D

Switchcraft

SHEET 1 OF 1

Pro/Engineer CAD File

B

ROUTING 146 112