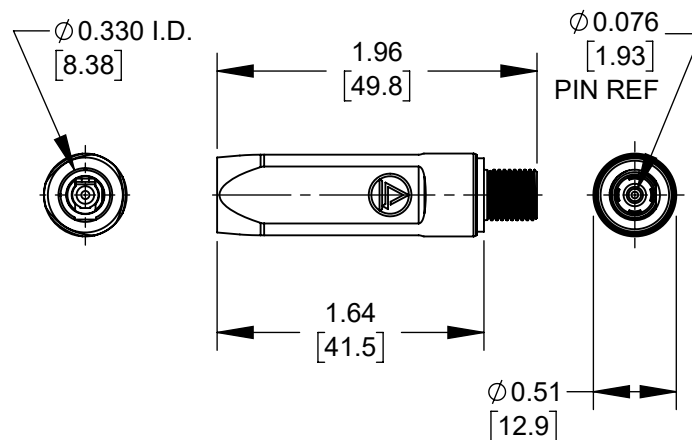
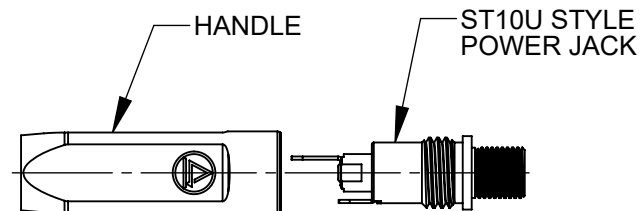
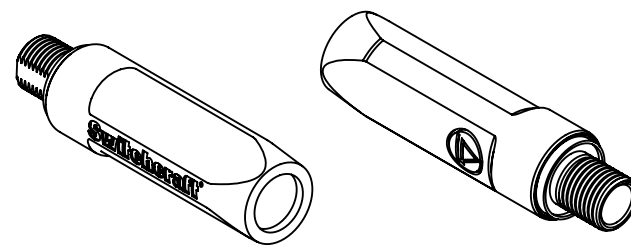
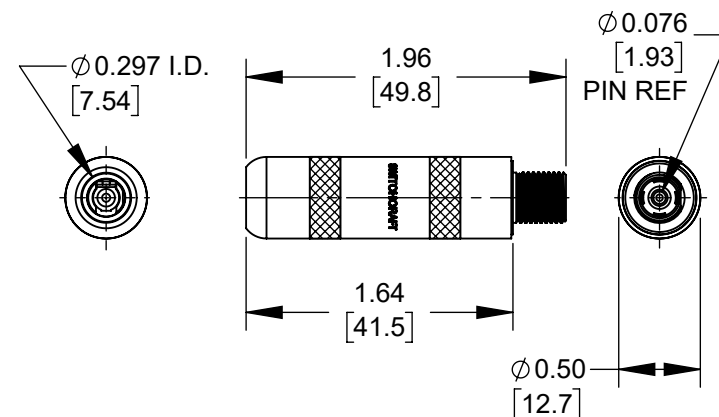
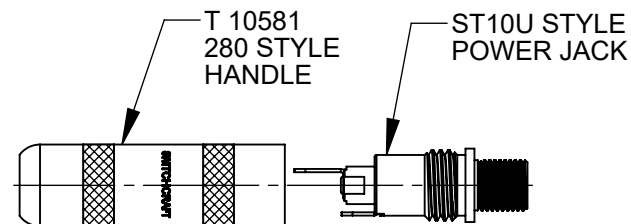
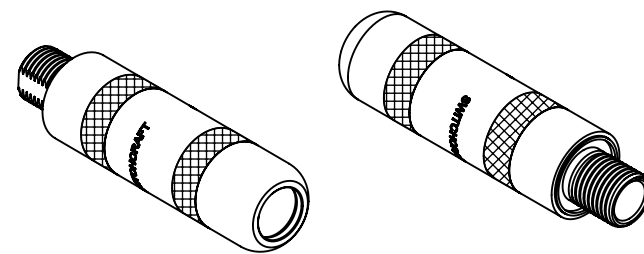


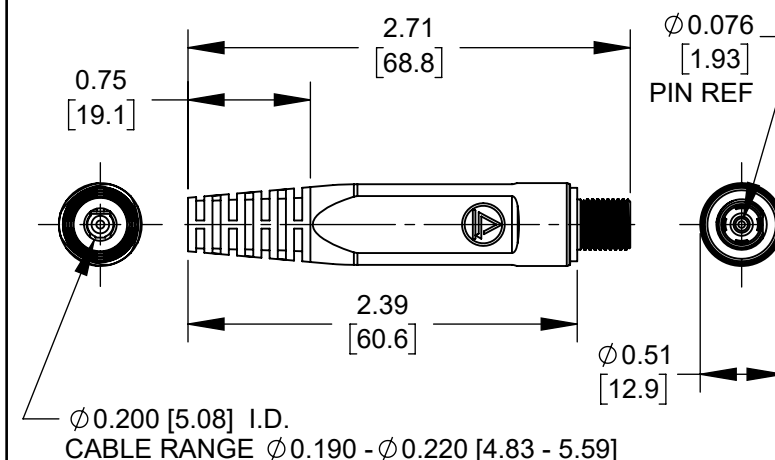
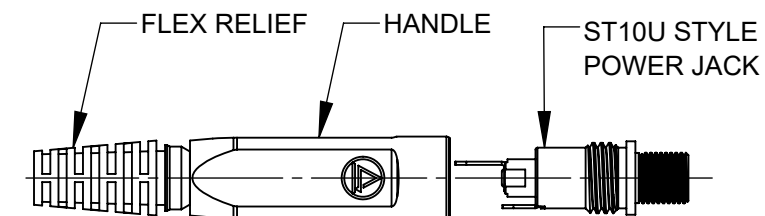
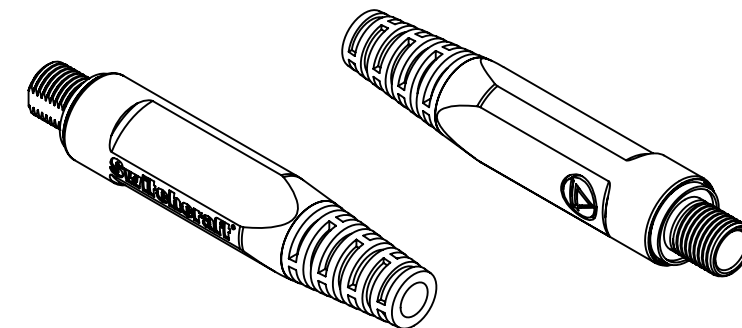
ST10UCFL



ST10UC



ST10UC1



ST10UCF B

CUSTOMER DRAWING

NOTES:

1. PARTS ARE SHIPPED UNASSEMBLED.
2. THESE ASSEMBLIES ARE RoHS COMPLIANT.
3. SEE SHEET 2 FOR SPECIFICATIONS.

REV	ECO NUMBER	DATE	BY	APVD
B	28475	02-21-22	PC	TJK
A	ECO 27926	8-17-17	SRC	TJK
REVISIONS				

UNLESS OTHERWISE SPECIFIED

1. ALL DIMENSIONS IN INCHES [mm]

- TWO PLACE DECIMALS ± 0.02 [0.5]

- THREE PLACE DECIMALS ± 0.005 [0.13]

DO NOT SCALE DRAWING

THIS DRAWING DESCRIBES A DESIGN CONSIDERED PROPRIETARY IN NATURE, DEVELOPED AND MANUFACTURED BY SWITCHCRAFT INC. AND IS RELEASED ON A CONFIDENTIAL BASIS FOR IDENTIFICATION PURPOSES ONLY.									
SIZE	WIDTH	MULT	LBS/M	TEMPER					
FINISH					MATERIAL				
SPEC No.					SPEC No.				
FIRST USED ON					SCALE				
					0.85:1				
DATE DRAWN	BY	CHKD	APVD						
12-21-16	SRC	SRC	TJK						
			12-21-16	8-17-17					
NAME					PART No.				
CABLE POWER JACK, RoHS					ST10UC SERIES				
					REV				
					B				

Mechanical Specifications

Life: Mechanical only
 Vibration: 5000 cycles minimum using S10 style plugs
 Operating Forces: Mil-Std 202G Method 201A (jack or when mated with locking plug)
 3 lb maximum insertion. 0.2 lb minimum withdrawal when using S10 type plug

Electrical Specifications

Voltage Rating: 24 V AC/DC
 Current Rating: Refer to current rating table below
 Insulation Resistance: 1000MΩ min. initial
 Contact Resistance (initial): 10 mΩ max

Environmental Specifications

Operating Temperature Rating: -40 °C to +105 °C (-40°F to +221°F)
 Insulation Resistance: MIL-STD 202G Method 302 Condition B Only
 Thermal Shock: MIL-STD 202G Method 107G (jack or when mated with sealed locking plug)

Material Specifications

Handle, Housing: B Copper alloy, nickel plated (ST10UC1)
 Zinc Alloy, nickel plated (ST10UC, ST10UCF, ST10UCFL)
 Flex relief: Thermoplastic elastomer, black
 Insulator: Thermoplastic, black
 Center Pin: Copper Alloy, Gold over Silver Plated
 Center & Shunt Terminals: Copper Alloy, Matte Tin Plated
 Sleeve Spring Contact: Copper Alloy, Gold over Silver Plated

CURRENT CARRY WHEN MATED TO A S10 STYLE PLUG

Wire (awg)	Current Rating (Amps) at Operating Temperature (° C)			
	90° C max	95° C max	100° C max	105° C max
16	13	12	11	10
18	12	11	10	9
20	11	10	9	8

Note: AC/DC Power Plugs & Jacks are for current carry only. Do not connect or disconnect under load. The circuitry on-off switch should be off before connecting or disconnecting the Power Plug to Jack.

CUSTOMER DRAWING

SCALE 1:1	Switchcraft [®]	
DATE DRAWN 12-21-16		
DRAWN BY SRC	PART No. ST10UC SERIES	REV B