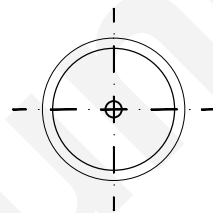
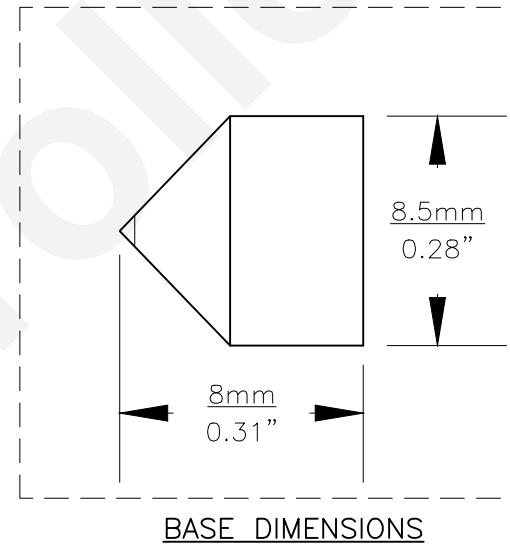
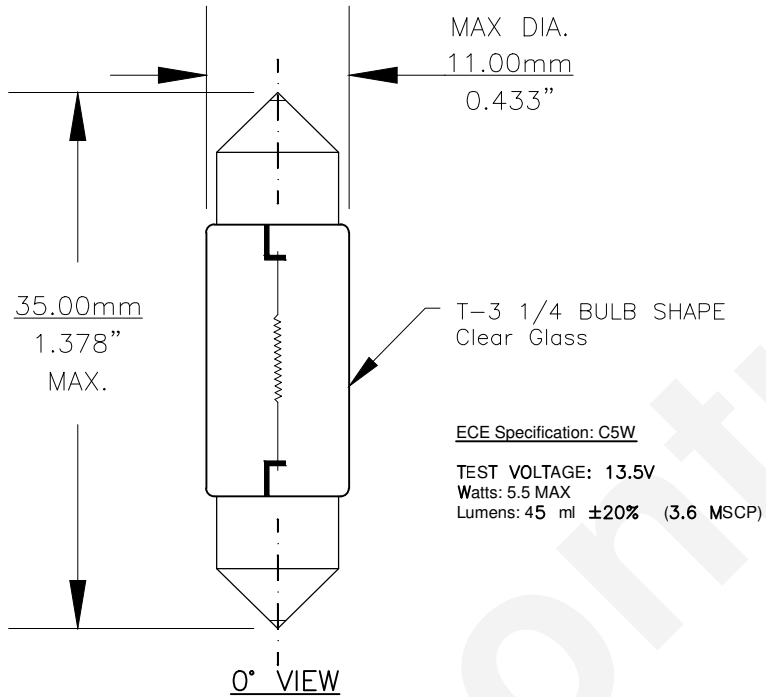




PART NO.	BASE TYPE	DESIGN VOLTS	DESIGN AMPS	MSCD	FILAMENT TYPE	AVERAGE LIFE HOURS	REVISIONS			
							REV #	DESCRIPTION	DATE	APPROVED
6418	FESTOON CAP (SV8.5-8)	12.0V	0.42±15%	3.58 ±20%	C-8	300	1	ISSUED	10/31/2008	D.C.
							2	REVISED MSCP, ADDED TEST SPEC.	09/11/2012	D.C.



Note: Made according to ECE/R37 specifications

UNLESS OTHERWISE SPECIFIED: DIMENSIONS ARE IN INCHES TOLERANCES		CEC INDUSTRIES LTD			
DECIMALS .XX ± .05 .XXX ± .010 FRACTIONAL ± 1/64		599 BOND STREET		LINCOLNSHIRE, IL 60069	
DRAWN D. C.	DATE 10/31/2008	TITLE LIGHT BULB NO. 6418 (C5W)			
CHECKED	SIZE A	FSCM NO.	DWG NO. 6418	REV 2	
DESIGN	SCALE	PLOT SCALE	SHEET 1 OF 1		
MATERIAL	FILE 6418.pdf	DRAWING NOT TO SCALE			