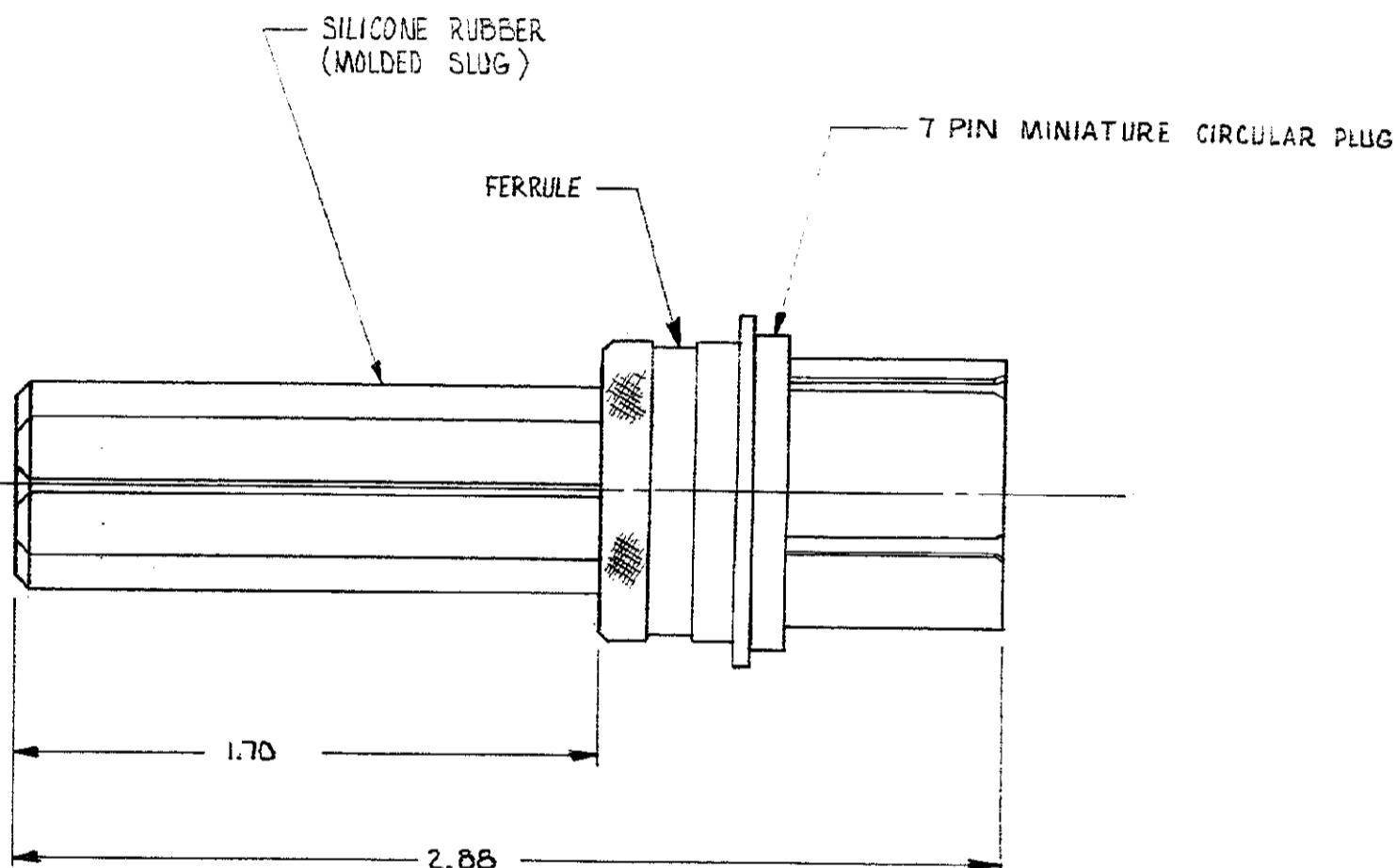
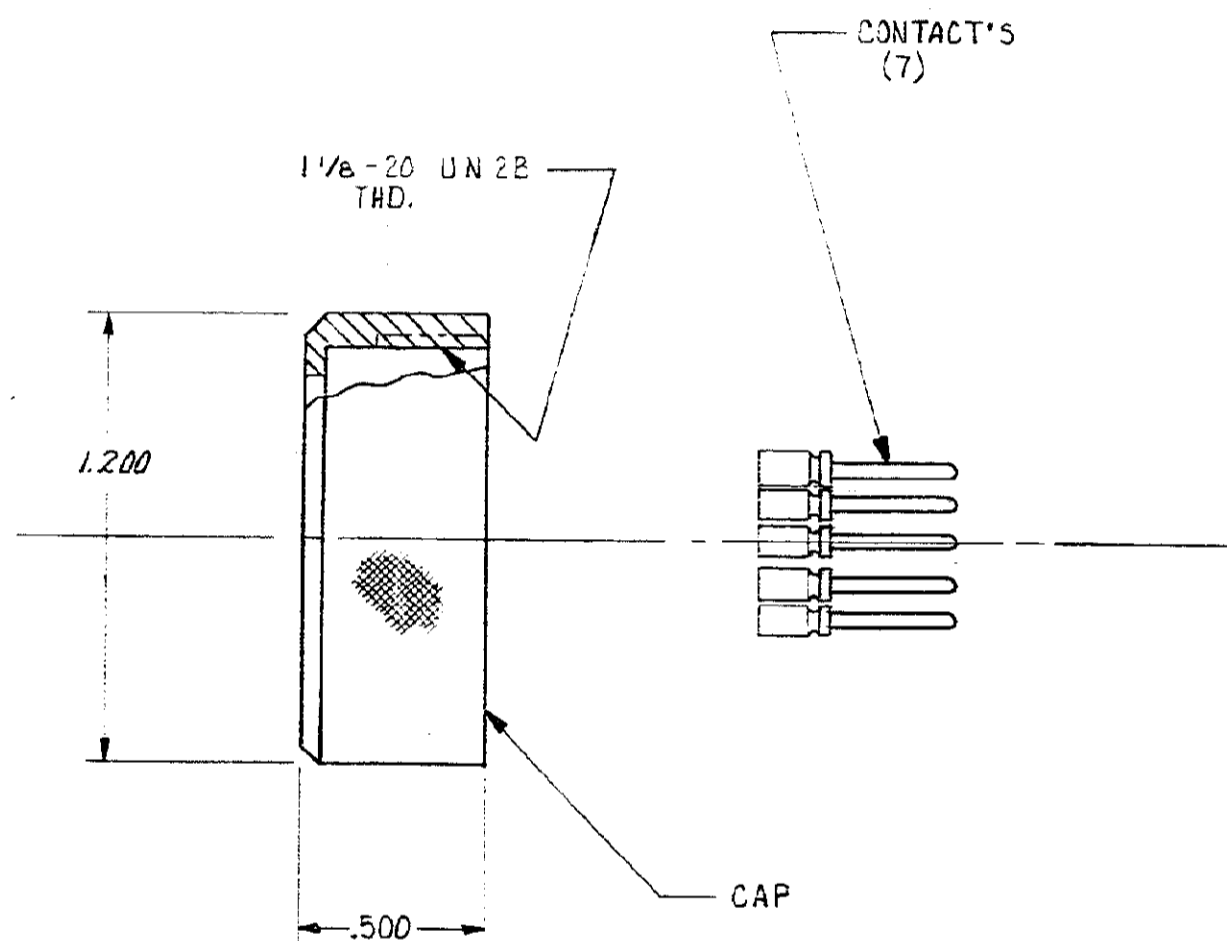
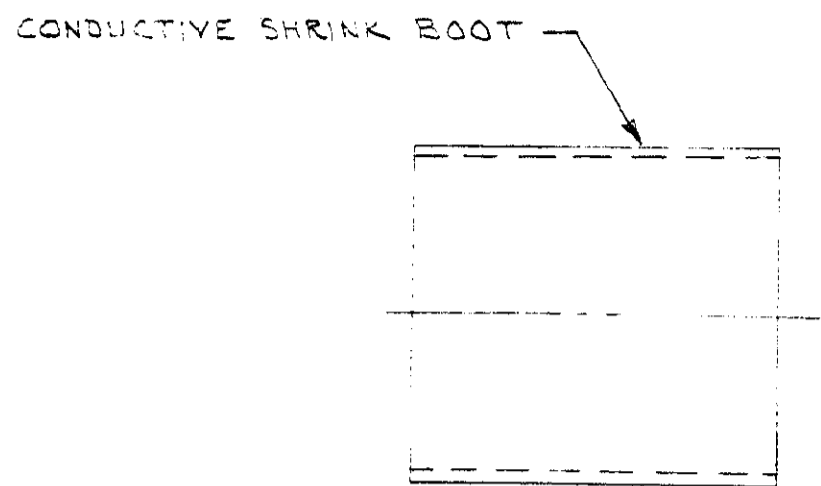


© COPYRIGHT 1974 BY AMP INCORPORATED, HARRISBURG, PA. ALL INTERNATIONAL RIGHTS RESERVED. AMP INCORPORATED PRODUCTS COVERED BY U. S. AND FOREIGN PATENTS AND/OR PATENTS PENDING.

		REVISIONS				LOC	DIST
P	F	ZONE	LTR	DESCRIPTION	DATE	APPROVED	
			A	WAS SK-38900-C DS	7-16-75	<i>JPS</i>	L 37
			B	REV. FERRULE & CONTACTS; ADDED BOOT & RING KSC	9-24-75	<i>JPS</i>	
			C	REVISED DS	4-5-76	<i>JPS</i>	
			D	1.200 WAS 1.250, .02 TOL. WAS .01 TOL. ECH 8186 YJ	11-9-77	<i>JPS</i>	
			E	REV. PER E.C.N. 8610 AS	1-31-79	<i>JPS</i>	






NOTES:

1. THIS PLUG MUST BE ASSEMBLED ON .125 DIA, 16-22 AWG, TEFLON INSULATED WIRE.

862003-2 AS SHOWN, RIGHT ANGLE SHRINK BOOT  
862003-1 AS SHOWN, STRAIGHT SHRINK BOOT

QTY REQD	FINAL ASSY	NEXT ASSY	USED ON	APPLICATION

UNLESS OTHERWISE SPECIFIED DIMENSIONS ARE IN INCHES. TOLERANCES: .00 ± .02 .000 ± .005 ANGLES ±	CONTRACT NO DR DICK STONE 11-26-74 CHK APPD <i>H. H. Stone</i> 11-27-74 APPD	PART NO  AMP INCORPORATED Elizabethtown, Pa.
MATERIAL 	DSGN APPD OTHER APPD	NAME 7 PIN MINIATURE CIRCULAR PLUG KIT, SHIELDED
FINISH 	SIZE CODE IDENT NO NUMBER C 00779 862003	SCALE <i>1/4</i> WT SHEET 1 OF 1