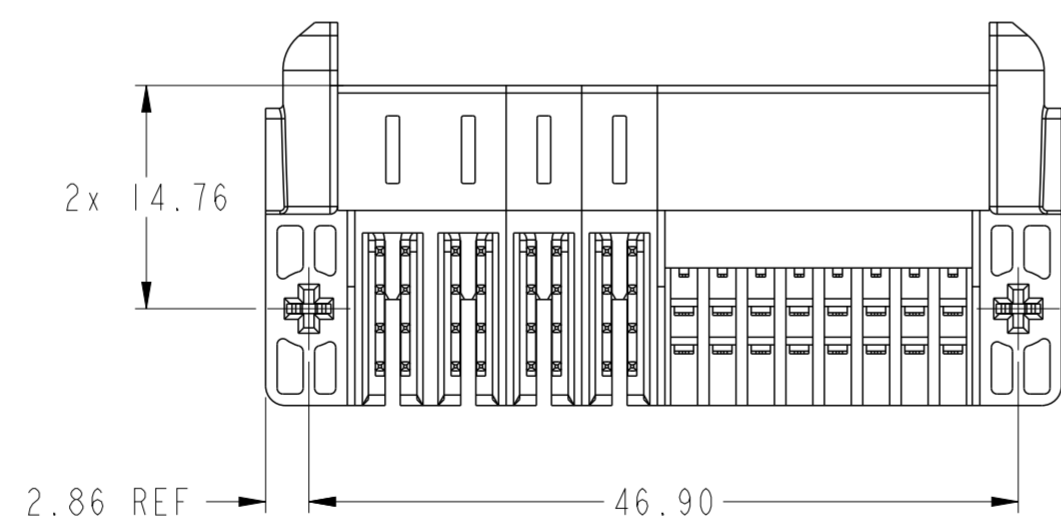
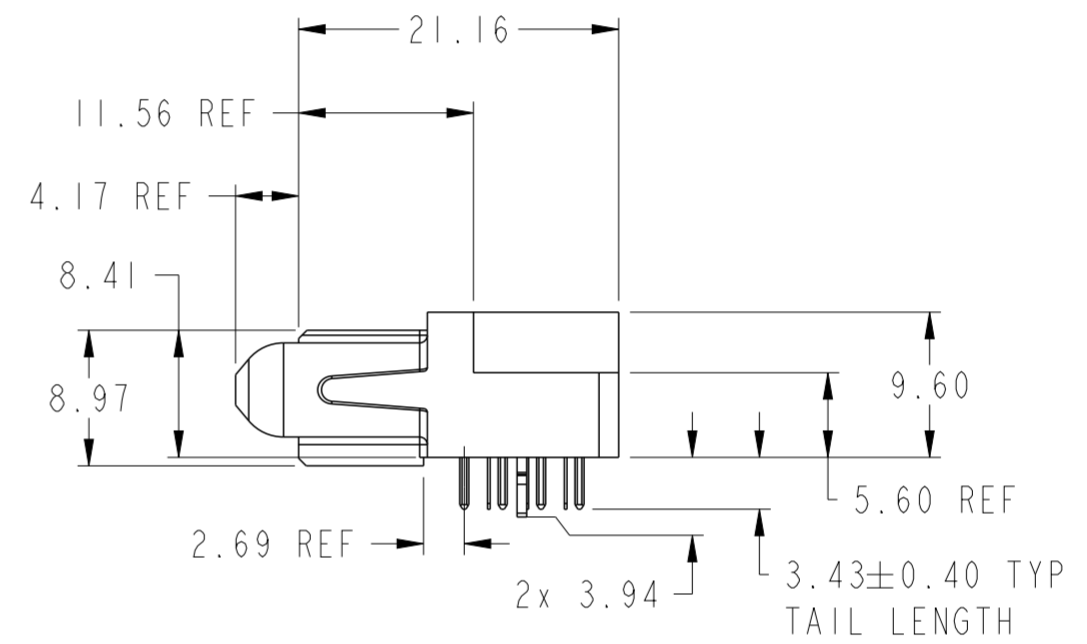
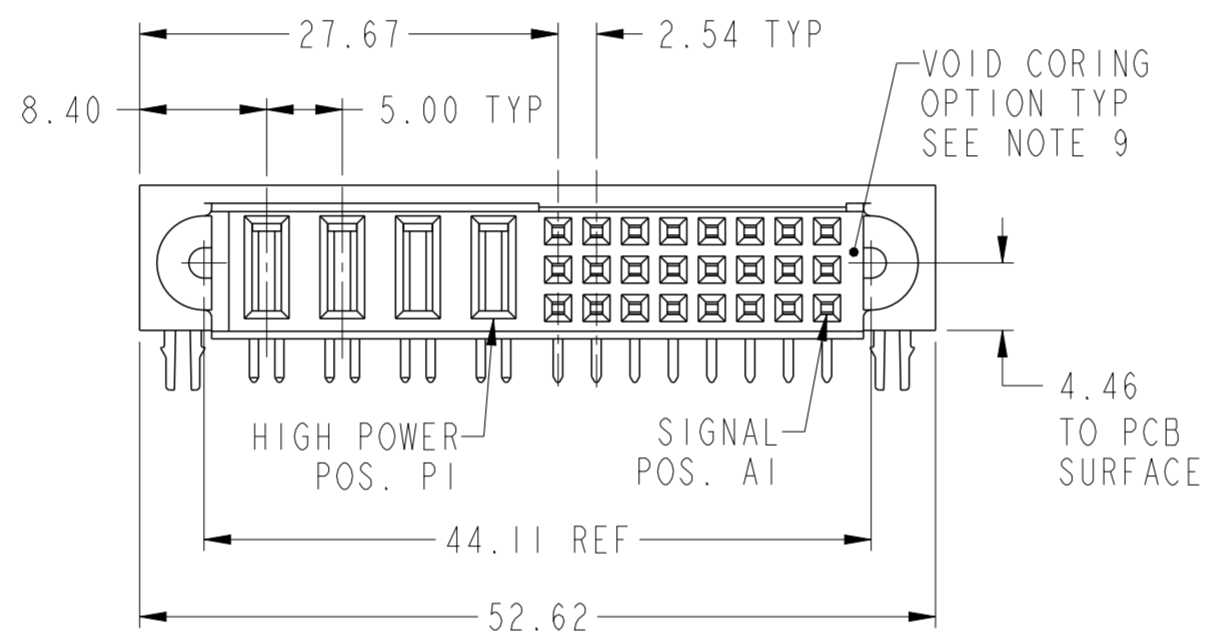
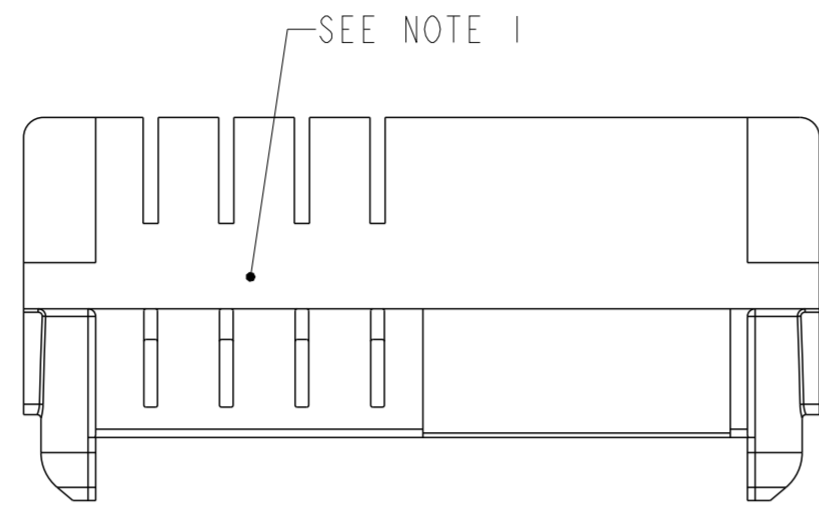


PRODUCT NUMBER
10127401-04H4100LF



spec ref	-	dr	Luo Weiler	2015/02/05	projection	MM	size	A2	scale	2:1	
tolerance std	ASME Y14.5	eng	Kaka Zhang	2016/08/12			ecn no	-			
TOLERANCES UNLESS OTHERWISE SPECIFIED		chr	Fancy Zhang	2016/08/12			rel level	Released			
		appr	Pei-Ming Zheng	2016/08/12			product family	PwrBlade ULTRA			
surface	linear	0.X	±0.5		title		24S+4HP, SOLDER-TO-BOARD	dwg no 10127401-04H4100	rev	A	
		0.XX	±0.25		R/A RECEPTACLE, PwrBlade ULTRA						
	angular	0°	±2°		cat. no.	-	Product - Customer Drw		sheet 1 of 3		

PDS: Rev :A

STATUS:Released

Printed: Aug 12, 2016

Amphenol
FCI

© 2016 AFCI

PRODUCT NO.

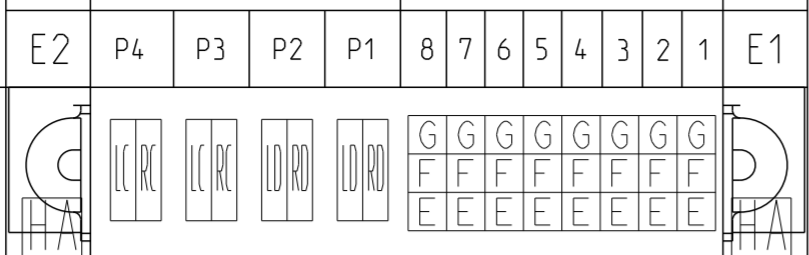
ROWS

HIGH POWER

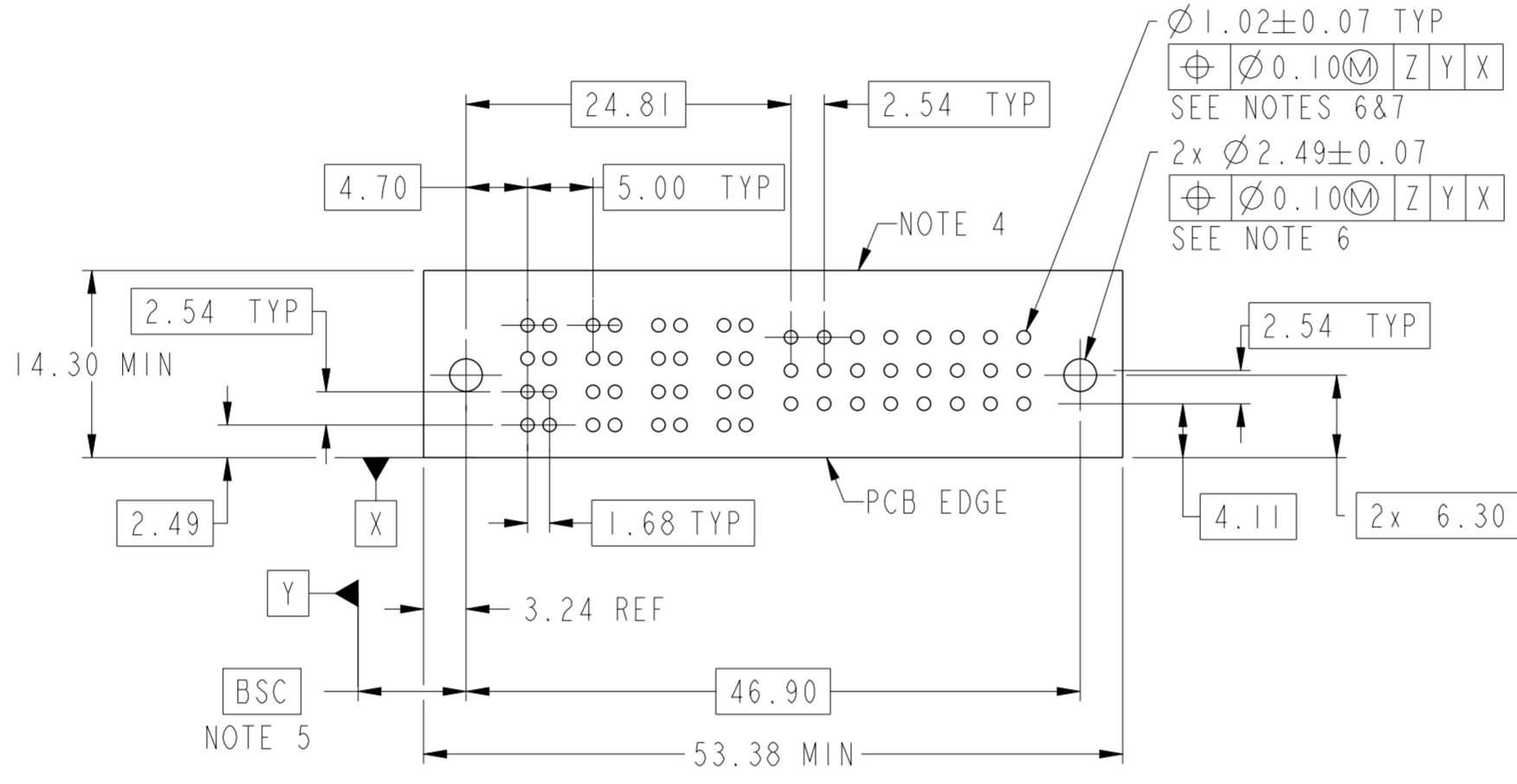
SIGNAL

10127401-04H4100LF

C
B
A



CODE	DESCRIPTION
RC	MFBL RIGHT POWER CONTACT
LC	MFBL LEFT POWER CONTACT
RD	STD RIGHT POWER CONTACT
LD	STD LEFT POWER CONTACT
E	SIGNAL CONTACT
F	SIGNAL CONTACT
G	SIGNAL CONTACT
HA	HOLD DOWN



Amphenol
FCi

© 2016 AFci

spec ref	-	dr	Luo Weiler	2015/02/05	projection	MM	size	A2	scale	2:1
tolerance std	ASME Y14.5	eng	Kaka Zhang	2016/08/12			ecn no	-	rel level	Released
TOLERANCES UNLESS OTHERWISE SPECIFIED		chr	Fancy Zhang	2016/08/12						
		appr	Pei-Ming Zheng	2016/08/12						
surface	linear	0.X	±0.5		product family		PwrBlade ULTRA	title 24S+4HP, SOLDER-TO-BOARD R/A RECEPTACLE, PwrBlade ULTRA	rev A	
		0.XX	±0.25		cat. no.	-	Product - Customer Drw			sheet 2 of 3
	angular	0°	±2°							

PDS: Rev :A

STATUS:Released

Printed: Aug 12, 2016

PRODUCT NUMBER

10127401-04H4100LF

NOTES:

- 1. PRODUCT MARK:
PART NUMBER AND DATE CODE TO BE MARKED ON THIS SURFACE.
THE MARK CAN BE OMITTED IF THERE IS NOT ENOUGH SPACE ON THIS SURFACE.
- 2. MATERIALS:
HOUSING: HIGH TEMP THERMOPLASTIC WITH GLASS FIBER, UL94V-0, BLACK.
POWER CONTACTS: HIGH CONDUCTIVITY COPPER ALLOY.
SIGNAL CONTACTS: COPPER ALLOY.
HOLD DOWN: COPPER ALLOY.
- 3. PLATING SPECIFICATION: AFCI 10135186.
- 4. DENOTES CONNECTOR KEEP OUT ZONE.
- 5. DATUM AND BASIC DIMENSION ARE ESTABLISHED BY CUSTOMER.
- 6. ALL HOLE DIAMETERS ARE FINISHED HOLE SIZES.
- 7. 1.150±0.025mm DRILLED HOLE PLATED WITH 7.62µm MIN Sn OVER
25.4µm-76.2µm Cu PLATING TO ACHIEVE A 1.02±0.07mm FINISHED HOLE.
- 8. THE HOUSING WILL WITHSTAND EXPOSURE TO 265 °C PEAK TEMPERATURE FOR 10 SECONDS
IN A WAVE SOLDER APPLICATION.
- 9. THE VOID CORING BETWEEN POWER MODULES, SIGNAL MODULES AND END MODULES ARE
OPTIONAL AND THE SHAPE MAY BE DIFFERENT TO OPTIMIZE THE MOLDING
PROCESS. THE VOID CORING WILL NOT EFFECT THE PRODUCT FUNCTION.
- 10. THIS PRODUCT MEETS EUROPEAN UNION DIRECTIVES AND OTHER COUNTRY REGULATIONS
AS DESCRIBED IN AFCI GS-47-0004.
- 11. PRODUCT SPECIFICATION: AFCI GS-12-1176.
APPLICATION SPECIFICATION: AFCI GS-20-0389.
PRODUCT PACKAGE SPECIFICATION: AFCI GS-14-2354.

Amphenol
FCi

© 2016 AFCI

spec ref	-	dr	Luo Weiler	2015/02/05	projection	MM	size	A2	scale	2:1
tolerance std	-	eng	Kaka Zhang	2016/08/12		← →	ecn no	-	rel level	Released
ASME Y14.5	TOLERANCES UNLESS OTHERWISE SPECIFIED	chr	Fancy Zhang	2016/08/12						
		appr	Pei-Ming Zheng	2016/08/12						
		product family	PwrBlade ULTRA							
surface	linear	0.X	±0.5	Amphenol FCi	title	24S+4HP, SOLDER-TO-BOARD	dwg no	10127401-04H4100	rev	A
		0.XX	±0.25							
		0.XXX	±0.130							
ASME Y14.5	angular	0°	±2°	cat. no.	-	Product - Customer	Drw	sheet 3 of 3		

PDS: Rev :A

STATUS:Released

Printed: Aug 12, 2016