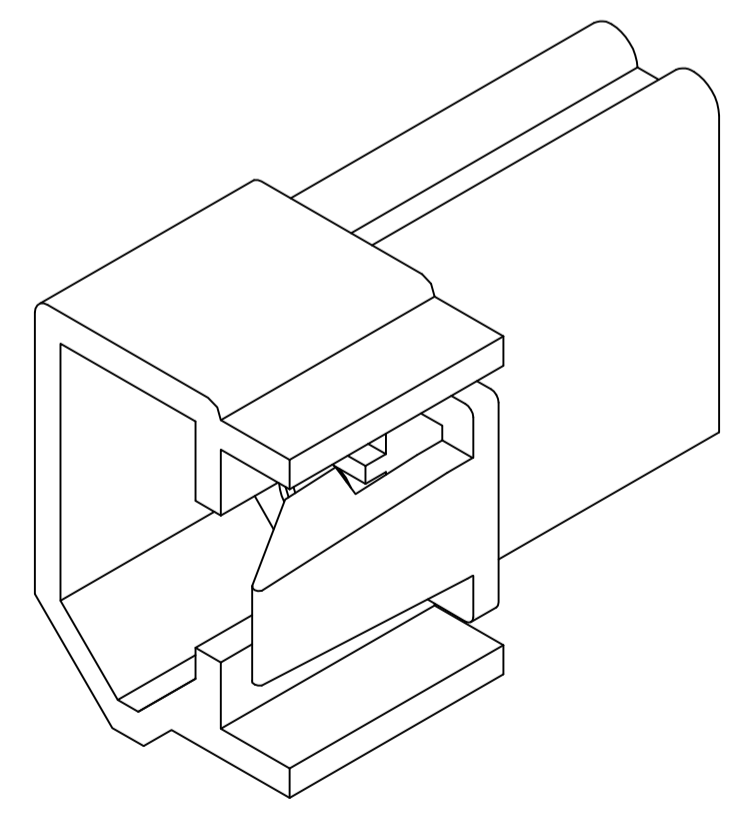


TYPICAL PLUG CAVITY SECTION (DIMENSIONS REFERENCE ONLY)

MATING CONNECTOR INTERFACE



3 DIMENSIONAL MODEL NTS

- 1 AMP LOGO, CIRCUIT NUMBERS, LOCATED APPROXIMATELY AS SHOWN.
- 2 MATERIAL: NYLON, UL94V-2, NATURAL.
- 3 MATERIAL: NYLON, UL94V-0, NATURAL.
- 4 MATERIAL: NYLON, UL94V-2, NATURAL.
- 5 HOUSING MATERIAL MEETS MINIMUM GLOW WIRE FLAMMABILITY INDEX OF 850°C PER IEC 60695-2-12 AND GLOW WIRE IGNITION TEMP OF 750°C PER IEC 60695-2-13.
- 6 PRELIMINARY - NOT FOR PRODUCTION

5	4	6	770425-3
	3		770425-2
	2		770425-1
MATERIAL		PART NUMBER	

.270	6.86	1.031	26.19
.255	6.48	.656	16.66
.248	6.30	.540	13.72
.010	0.25	.536	13.61
.005	0.13	.365	9.27
IN	MM	IN	MM

CONVERSION TABLE

THIS DRAWING IS A CONTROLLED DOCUMENT.

DIMENSIONS: INCHES	TOLERANCES UNLESS OTHERWISE SPECIFIED:	DWN: K.WHITAKER 8-19-88	CHK: R.SWING 8-19-88	APVD: R.CARSON 8-19-88	NAME: R.CARSON
0. PLC ± -	1. PLC ± -	PRODUCT SPEC			
2. PLC ± -	3. PLC ± .005	APPLICATION SPEC			
4. PLC ± -	ANGLES ± #	SIZE: A1	CAGE CODE: 00779	DRAWING NO: 770425	RESTRICTED TO: -
MATERIAL: SEE TABLE	FINISH: -	WEIGHT: -	CUSTOMER DRAWING		

STE TE Connectivity

PLUG, POSITIVE LOCK, 2 CIRCUIT, COMMERCIAL PIN AND SOCKET

SCALE: 5:1 SHEET 1 OF 1 REV E