

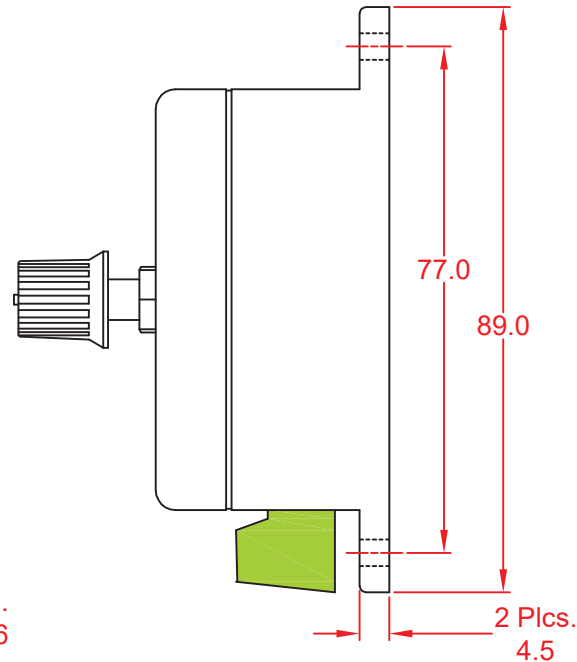
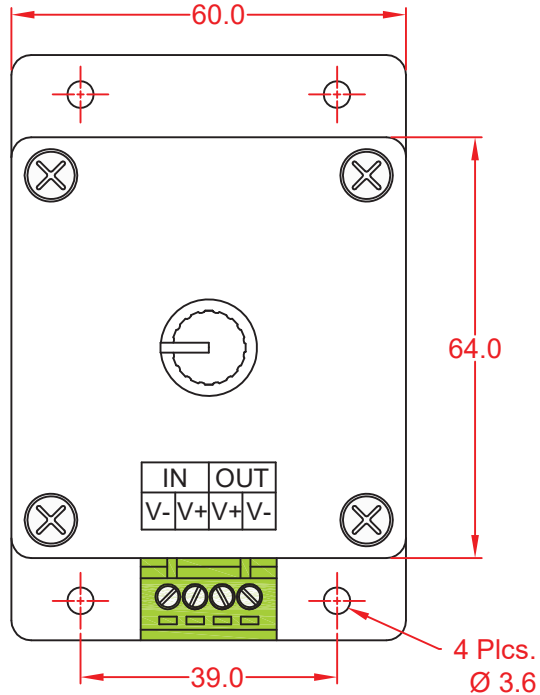
# PWM LED DIMMER

## FEATURES:

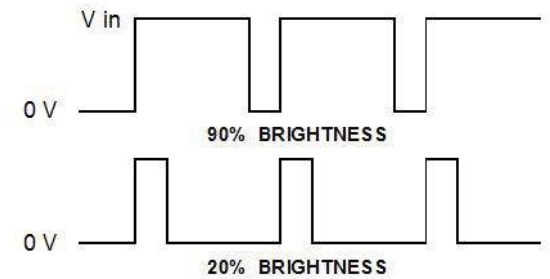
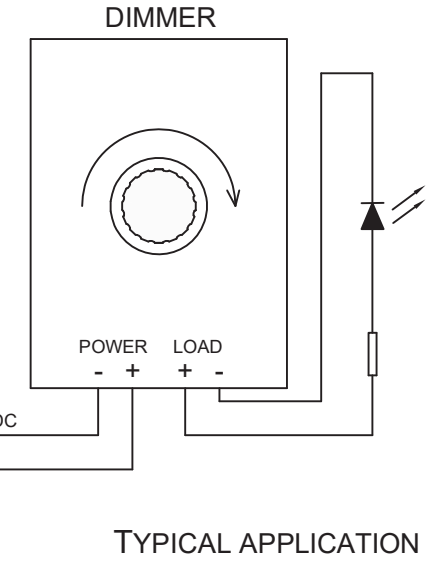
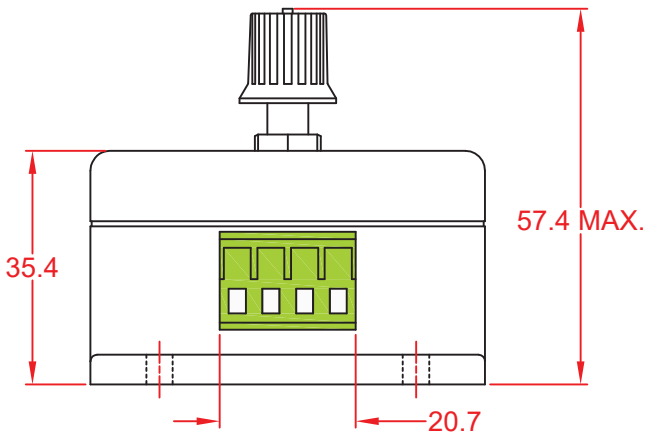
- Will operate on 12V or 24V DC
- Up to 8 Amps of available current drive
- Pulse width modulated output for smooth transition from 100%-20% brightness
- Operation temperature -20° C to +60°C
- Low power consumption (less than 1 Watt)



REV.	DESCRIPTION/ECO NO.	DATE
	RELEASED	6/15/10
A	ADD ELECTRICAL CHART	4/14/11
B	CHANGE 24V ON ELECT. CHART	4/26/11
C	ADD FEATURES NOTE & PHOTO	6/24/13
D	ADDED DIMENSIONS	12/19/14
E	NEW PHOTO	7/19/16
F	OMIT 5, 6V OPERATION	3/30/21



Shaft Diameter - 6.0mm  
Rotation Angle - 120°



JKL PART NO.: ZDM-01

METRIC		DIMENSIONS ARE IN MILLIMETERS		JKL COMPONENTS CORPORATION			
THIRD ANGLE PROJECTION		TOLERANCE UNLESS OTHERWISE SPECIFIED 1 PL +/- REF. 2 PL +/- REF. ANGLE +/- REF.		TITLE <b>PWM LED DIMMER</b>			
DRAWN BY L. WENGSTROM	APPVD BY S.N.	DATE 3/30/21	SIZE <b>A</b>	FSCM NO. <b>55335</b>	DRAWING NO. <b>ZDM-01</b>		
- CAD DRAWING - MANUAL REVISIONS NOT PERMITTED			SCALE NOT TO SCALE	RELEASED DATE 6/15/10	REVISION DATE 3/30/21	REV. NO. <b>F</b>	SHEET 1 OF 1