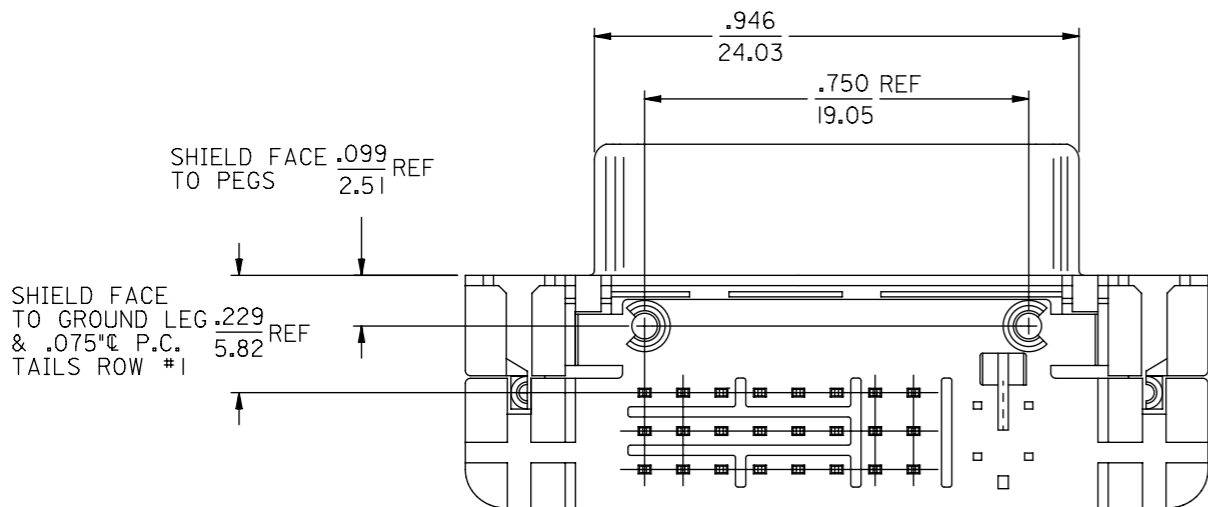
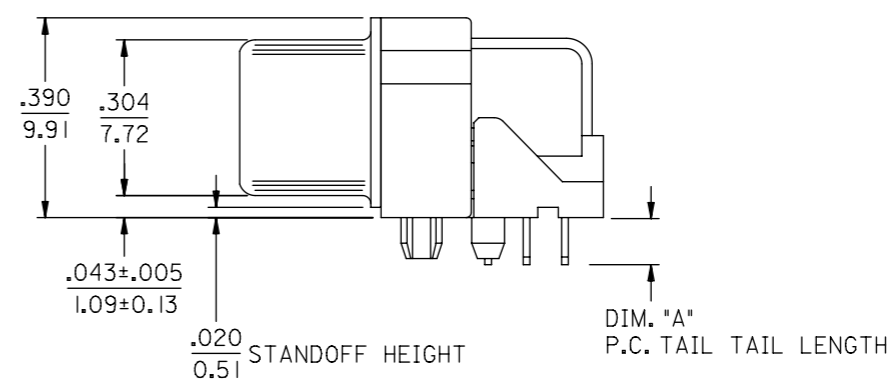
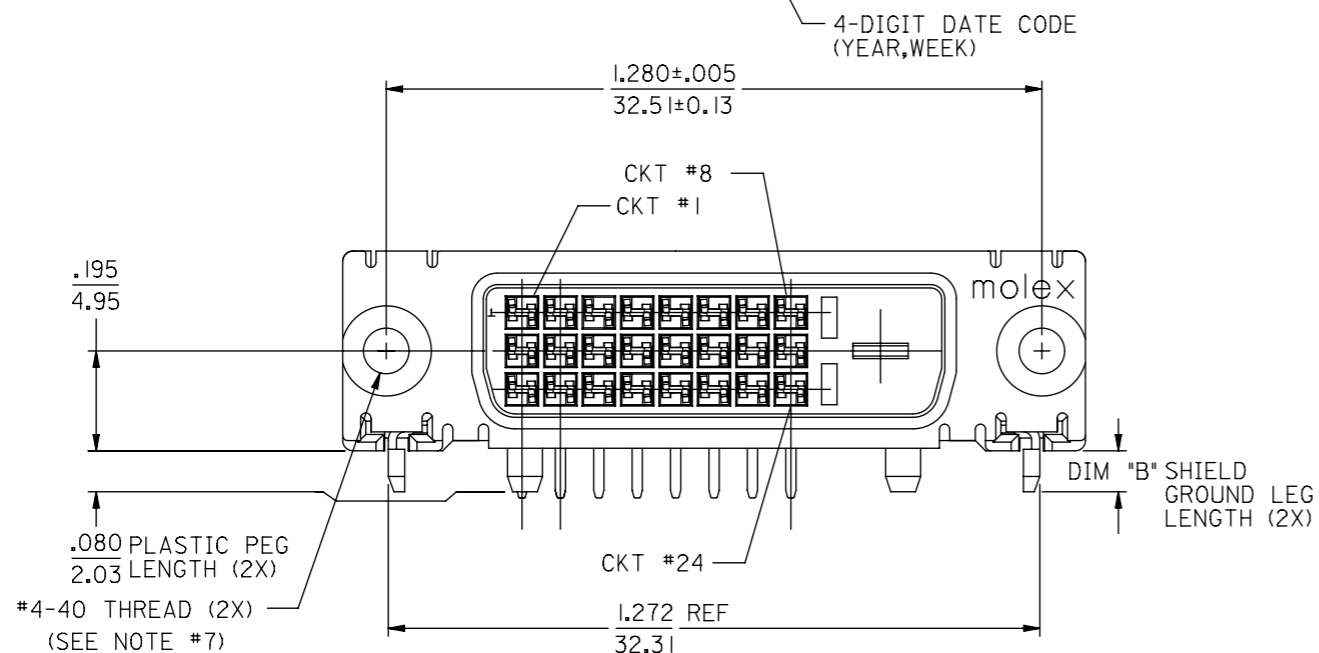
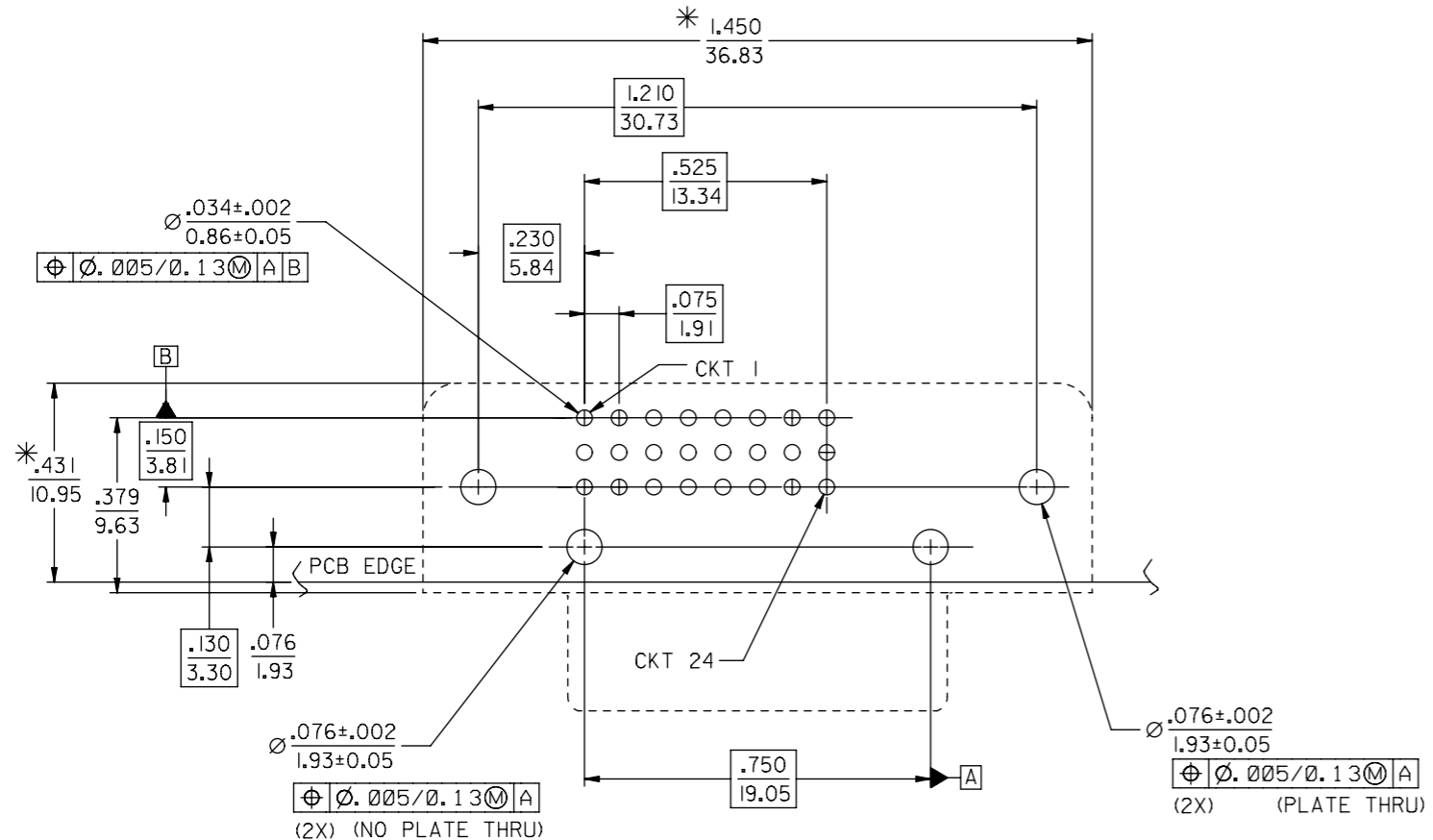


- NOTES:
- MATERIAL:
SHIELD: DEEP DRAW STEEL;
HOUSING: LCP, UL94V-0, NATURAL (WHITE);
TAIL ALIGNER: LCP, UL94V-0, NATURAL (WHITE);
CONTACT: COPPER ALLOY.
 - PLATING: SEE SHEET 2.
 - PRODUCT CONFORMS TO MOLEX PRODUCT SPECIFICATION NUMBER PS-74320-001. REFER TO THIS SPECIFICATION FOR SPACING ON A P.C.B. OF TWO OR MORE CONNECTORS WHEN USING A CABLE OR AN ADAPTER ASSEMBLY.
 - SEE SHEET 2 FOR RECOMMENDED PANEL CUT-OUT AND P.C.B. LAYOUT.
 - PARTS WILL BE PACKAGED IN TRAYS PER PK-74320-010.
 - PRODUCT CONFORMS TO DDWG DVI SPECIFICATION. REFER TO THIS SPECIFICATION FOR CONNECTOR MATING DIMENSIONS.
 - RECOMMENDED MOUNTING HARDWARE IS MOLEX P/N 71781-0001 OR 82007-0300 OR 88780-6066. REFER TO PRODUCT SPECIFICATION NUMBER PS-74320-001 FOR THIS APPLICATION TORQUE REQUIREMENT FOR ASSMBLING MOUNTING HARDWARE.
- ⚠ CAVITY ID AND MANUFACTURING PLANT CODE.



PART NUMBER	PLATING OPTION	DIM A	DIM B
74320-4007	2	.123/3.12	.110/2.79
74320-4006	2	.110/2.79	.110/2.79
74320-4005	2	.050/1.27	2.03±0.51
74320-4004	2	.092/2.34	.080±.020
74320-4003	1	.123/3.12	.110/2.79
74320-4001	1	.050/1.27	2.03±0.51
74320-4000	1	.092/2.34	.080±.020

<p>QUALITY SYMBOLS</p> <p>FA = 0</p> <p>FE = 0</p> <p>FB = 0</p> <p>▼ = 0</p> <p>∇ = 0</p> <p>⊗ = 0</p> <p>■ = 0</p> <p>▽ = 0</p>				<p>THIS DRAWING CONTAINS INFORMATION THAT IS PROPRIETARY TO MOLEX ELECTRONIC TECHNOLOGIES, LLC AND SHOULD NOT BE USED WITHOUT WRITTEN PERMISSION</p>				<p>DIMENSION UNITS: INCH</p> <p>SCALE: 1:1</p>		<p>molex</p> <p>DVI - DIGITAL RIGHT ANGLE, RECEPTACLE CONNECTOR</p>					
<p>CHANGE SHELL PLATING</p> <p>EC NO: 118825</p> <p>DRWN: XQZHANG</p> <p>CHK'D: XQZHANG</p> <p>REV: 2016/08/16</p> <p>APPR: AYIN</p> <p>2016/08/15</p> <p>2017/07/10</p>		<p>GENERAL TOLERANCES (UNLESS SPECIFIED)</p> <p>ANGULAR TOL ± 1.0 °</p> <p>4 PLACES ± 0.01</p> <p>3 PLACES ± 0.01</p> <p>2 PLACES ± 0.01</p> <p>1 PLACE ±</p> <p>0 PLACES ±</p>		<p>DRWN BY: XQZHANG</p> <p>DATE: 2014/12/10</p>		<p>CHK'D BY: XQZHANG</p> <p>DATE: 2014/12/09</p>		<p>PRODUCT CUSTOMER DRAWING</p>							
<p>DRAFT WHERE APPLICABLE MUST REMAIN WITHIN DIMENSIONS</p>		<p>DRAWING SIZE: A3</p>		<p>THIRD ANGLE PROJECTION</p>		<p>APPR BY: AYIN</p> <p>DATE: 2015/02/09</p>		<p>SERIES: 74320</p> <p>MATERIAL NUMBER: SEE TABLE</p> <p>CUSTOMER: GENERAL MARKET</p>							
<p>RELEASE STATUS</p>				<p>RELEASE DATE</p>				<p>DOCUMENT NUMBER: SD-74320-003</p>		<p>DOC TYPE: PSD</p>		<p>DOC PART: 000</p>		<p>SHEET NUMBER: 1 OF 2</p>	

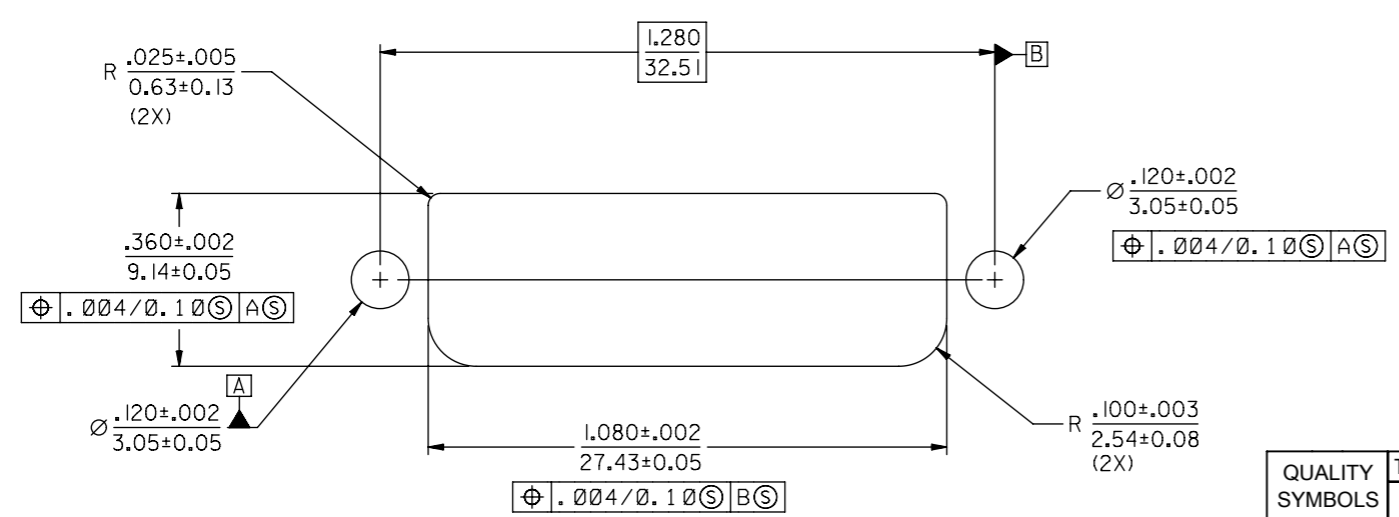


RECOMMENDED PCB LAYOUT

* THESE DIMENSIONS REPRESENT CONNECTOR OVERLAY ON PCB.

PLATING OPTIONS:
 PLATING OPTION #1:
 OUT SHIELD -- 60u"/(1.5um) MIN. SOLDERABLE NICKEL OVER
 30u"/(0.75um) MIN. COPPER OVERALL.
 .075"/(1.91mm) CONTACTS -- 30u"/(0.75um) MIN. SELECT GOLD AND
 100u"/(2.50um) MIN. SELECT PURE TIN
 OVER 50u"/(1.27um) MIN. NICKEL OVERALL.

PLATING OPTION #2:
 OUT SHIELD -- 60u"/(1.5um) MIN. SOLDERABLE NICKEL OVER
 30u"/(0.75um) MIN. COPPER OVERALL.
 .075"/(1.91mm) CONTACTS -- SELECT GOLD FLASH AND
 100u"/(2.50um) MIN. SELECT PURE TIN
 OVER 50u"/(1.27um) MIN. NICKEL OVERALL.



RECOMMENDED PANEL CUT-OUT
 PANEL THICKNESS: .030"-.040"

THIS DRAWING CONTAINS INFORMATION THAT IS PROPRIETARY TO MOLEX ELECTRONIC TECHNOLOGIES, LLC AND SHOULD NOT BE USED WITHOUT WRITTEN PERMISSION																						
QUALITY SYMBOLS	CHANGE SHELL PLATING	EC NO: 118825	DRWN: XQZHANG	CHK'D: XQZHANG	REV APPR: AYIN	2016/08/16	2016/08/15	2017/07/10	GENERAL TOLERANCES (UNLESS SPECIFIED)		DIMENSION UNITS	SCALE										
									ANGULAR TOL ± 1.0 °		INCH	1:1										
▽A = 0	▽B = 0	▽C = 0	▽D = 0	▽E = 0	▽F = 0	▽G = 0	▽H = 0	▽I = 0	▽J = 0	▽K = 0	▽L = 0	DRWN BY		DATE								
▽M = 0	▽N = 0	▽O = 0	▽P = 0	▽Q = 0	▽R = 0	▽S = 0	▽T = 0	▽U = 0	▽V = 0	▽W = 0	▽X = 0	CHK'D BY		DATE								
DRAFT WHERE APPLICABLE MUST REMAIN WITHIN DIMENSIONS									4 PLACES ± 0.01		XQZHANG		2014/12/10		DVI - DIGITAL RIGHT ANGLE, RECEPTACLE CONNECTOR							
									3 PLACES ± 0.01		XQZHANG		2014/12/09									
									2 PLACES ± 0.01		AYIN		2015/02/09		PRODUCT CUSTOMER DRAWING							
									1 PLACE ±		DRAWING SIZE		THIRD ANGLE PROJECTION		SERIES		MATERIAL NUMBER		CUSTOMER			
									0 PLACES ±		A3				74320		SEE TABLE		GENERAL MARKET			
									DRAFT WHERE APPLICABLE MUST REMAIN WITHIN DIMENSIONS						DOCUMENT NUMBER		DOC TYPE		DOC PART		SHEET NUMBER	
															SD-74320-003		PSD		000		2 OF 2	

RELEASE STATUS	RELEASE DATE
----------------	--------------