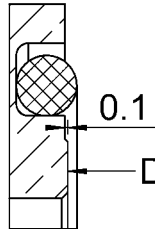
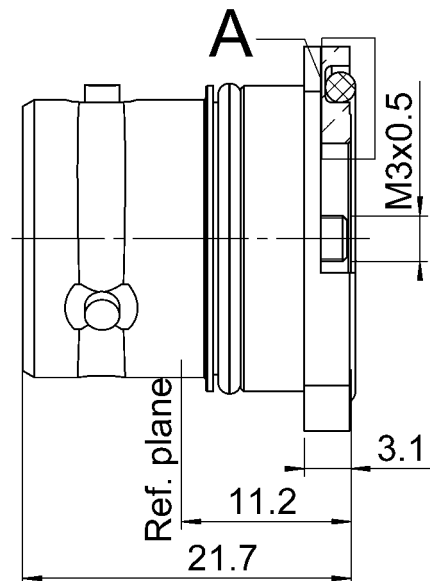
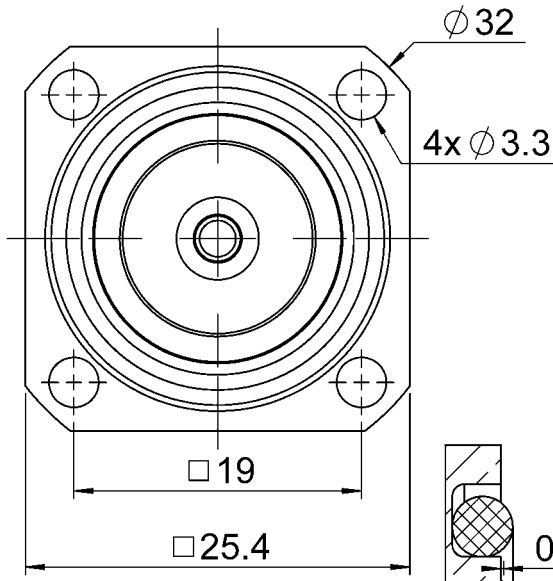
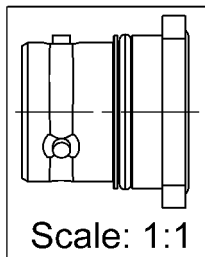
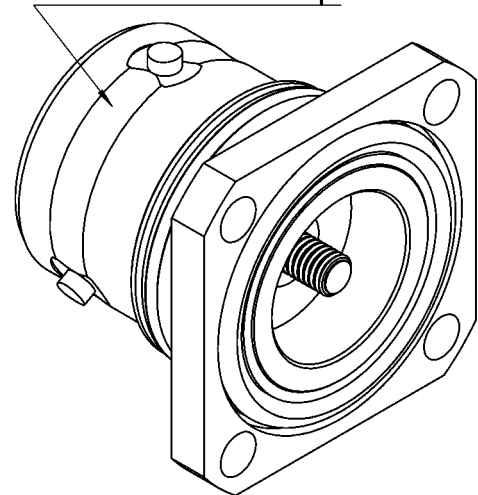


PAGE 1/2	ISSUE 06-04-16B	SERIES QLI	PART NUMBER R184405007
----------	-----------------	------------	------------------------

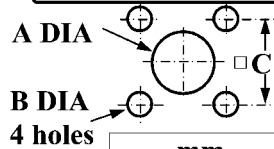


Departure all dimensions' length
Protected with cap

DETAIL A
SCALE 4 : 1

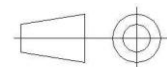


PANEL CUT OUT



	mm	
	Maxi	mini
A	12.7	12.6
B	3.4	3.3
C	19.05	18.95

All dimensions are in mm.



COMPONENTS	MATERIALS	PLATING (µm)
Body	BRASS	BBR
Center contact	BRASS	SILVER
Outer contact		
Insulator	PTFE	
Gasket	SILICONE RUBBER	
Others parts		
-	-	-
-	-	-

PAGE 2/2	ISSUE 06-04-16B	SERIES QLI	PART NUMBER R184405007
----------	------------------------	-------------------	-------------------------------

PACKAGING

Standard	Unit	Other
50	Contact us	Contact us

ELECTRICAL CHARACTERISTICS

Impedance		50	Ω
Frequency		0-6	GHz
VSWR	1.04* +	0.0200	x F(GHz) Maxi
Insertion loss		0.05*	√F(GHz) dB Maxi
RF leakage	- (NA	- F(GHz)) dB Maxi
Voltage rating		1400	Veff Maxi
Dielectric withstanding voltage		2500	Veff mini
Insulation resistance		5000	MΩ mini

ENVIRONMENTAL

Operating temperature	-55~+120	°C
Hermetic seal	NA	Atm.cm3/s
Panel leakage	IP67	

MECHANICAL CHARACTERISTICS

Center contact retention			
Axial force – Mating End		50	N mini
Axial force – Opposite end		30	N mini
Torque		20	N.cm mini
Recommended torque			
Mating		NA	N.cm
Panel nut		NA	N.cm
Mating life		100	Cycles mini
Weight		31.3000	g

SPECIFICATION

OTHER CHARACTERISTICS

Assembly instruction:**NA**

Others:

***Coaxial Transmission Line only**
IMP3<-120dBm under 2 carriers of +43dBm
IP67 mated condition