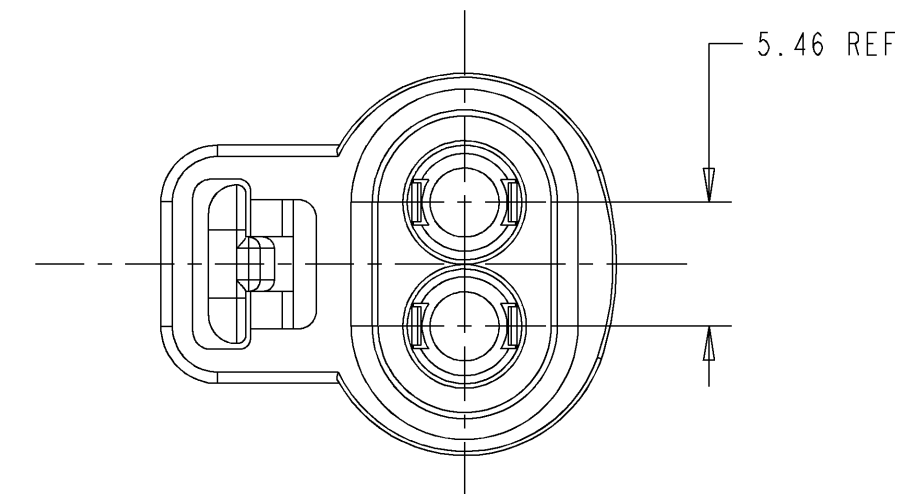
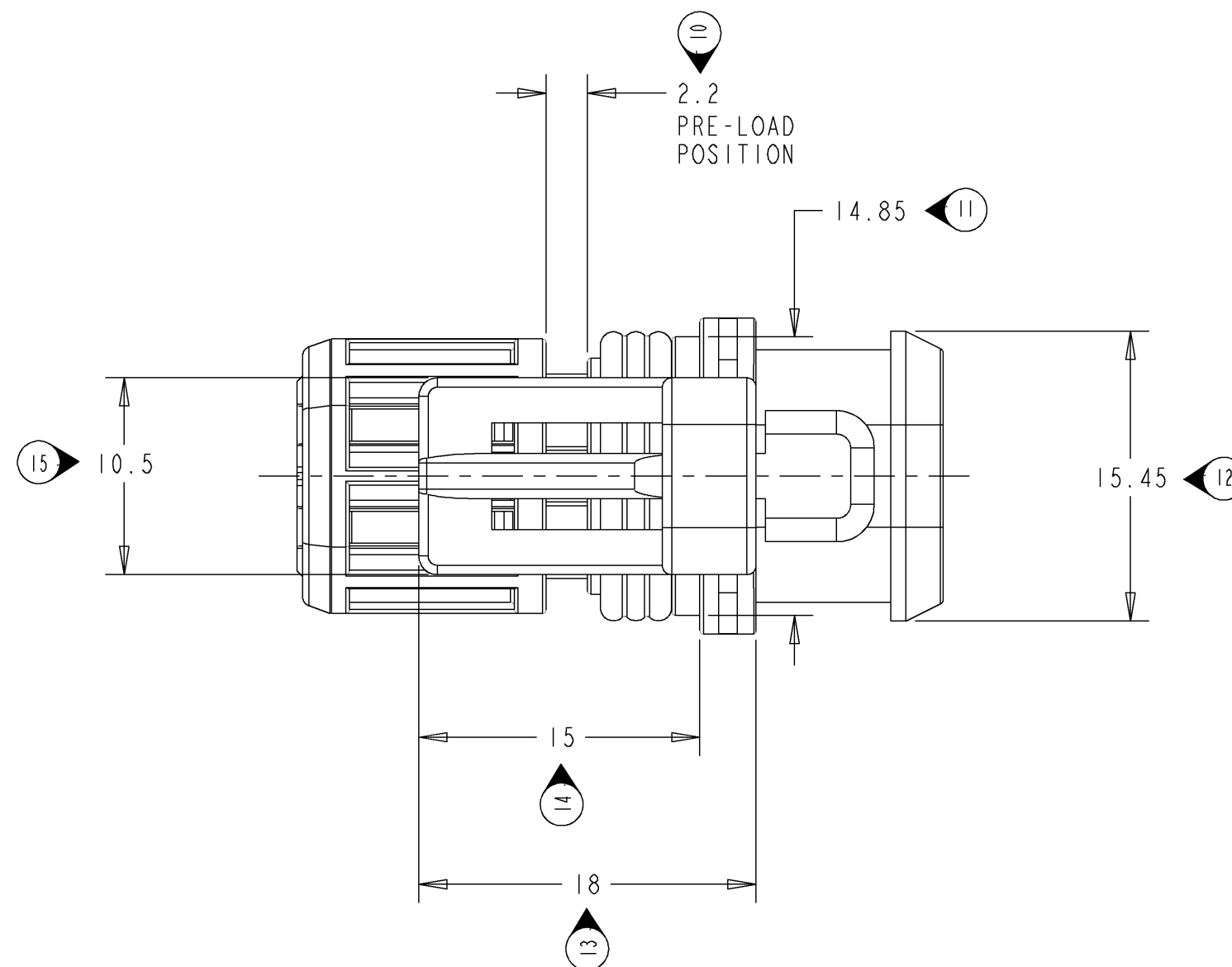
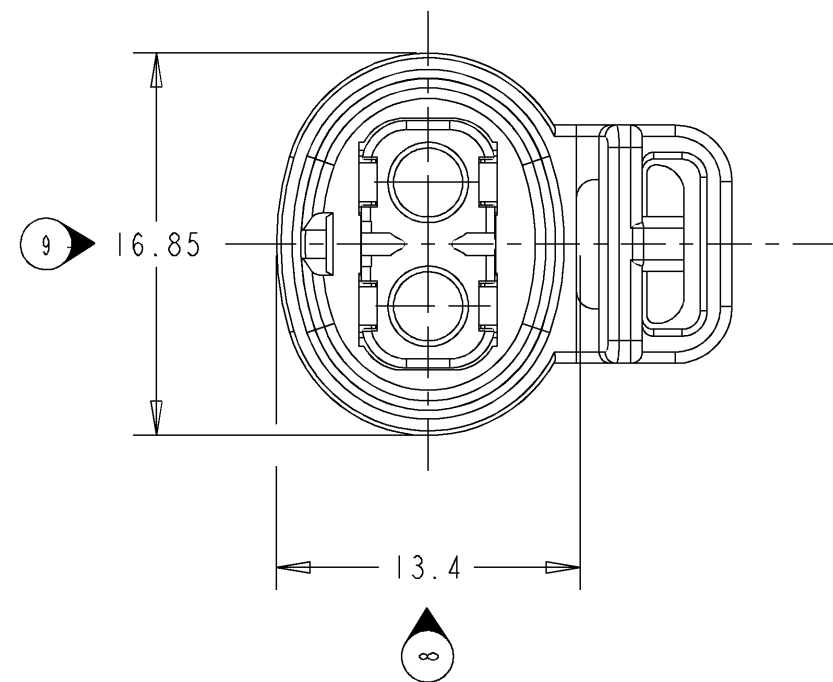
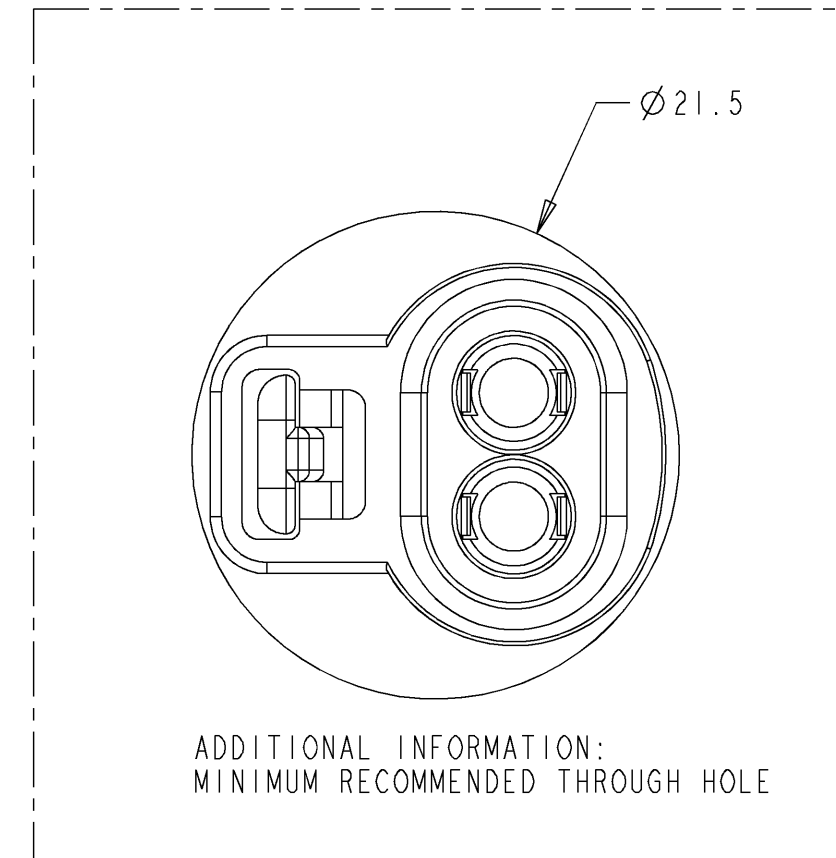
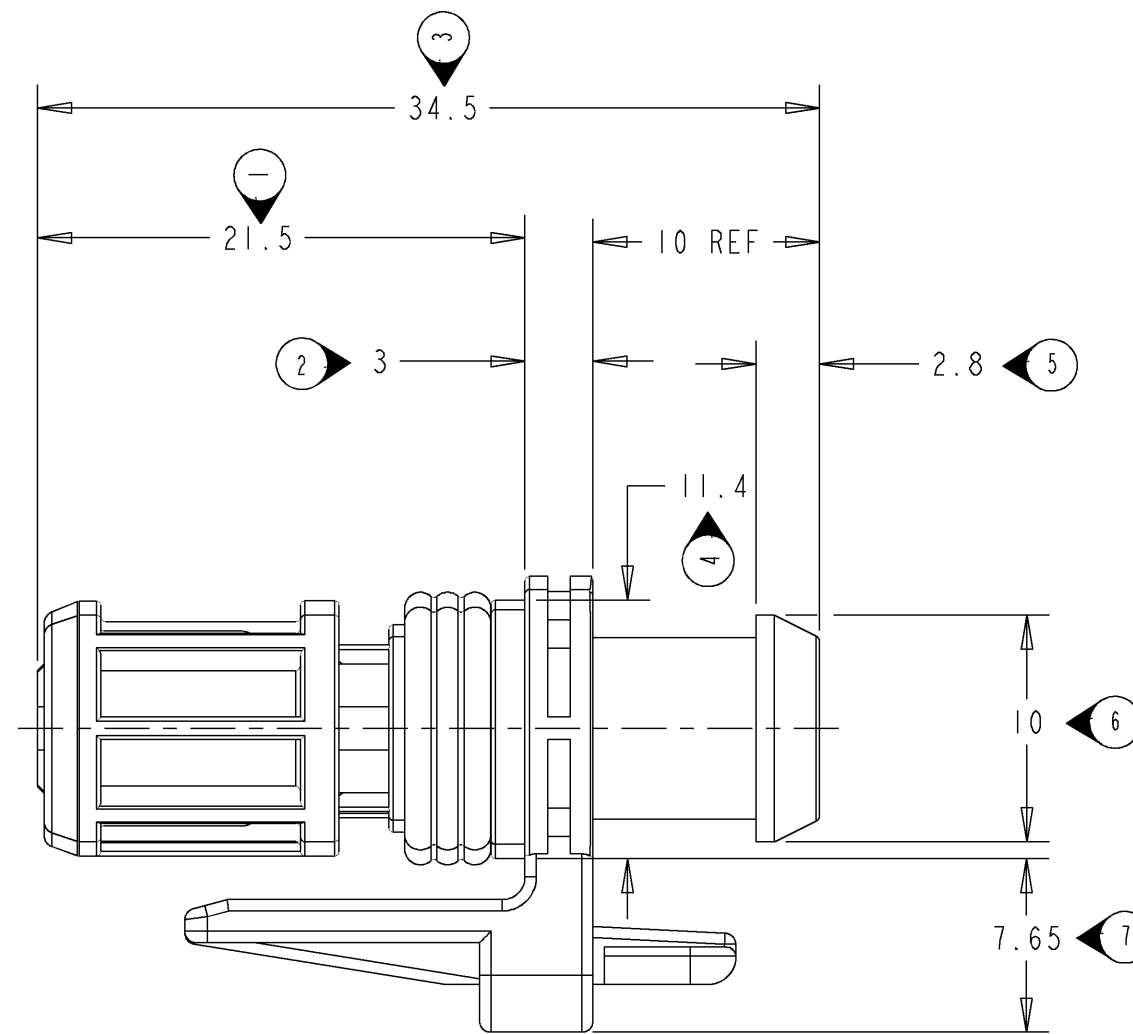
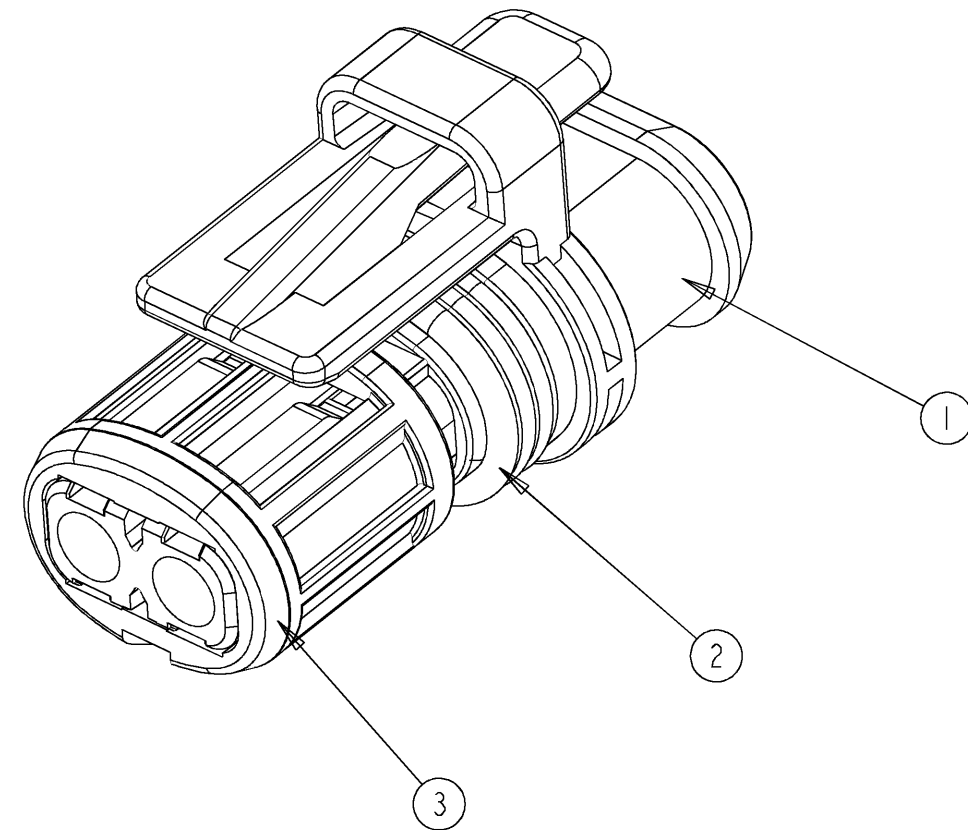


THIS DRAWING IS UNPUBLISHED. RELEASED FOR PUBLICATION 2009  
 © COPYRIGHT 2009 BY TYCO ELECTRONICS CORPORATION. ALL INTERNATIONAL RIGHTS RESERVED.

LOC	DIST	REVISIONS			
P	LTR	DESCRIPTION	DATE	DWN	APVD
	O	EB00-0537-00	30NOV2000	RJC	MJW
	A	EB00-0191-01	29MAY2001	RJC	MJW
	B	EB00-0084-02	5MAR2002	MJH	RB
	C	ECR-06-007815	29MAR2006	MJH	RB
	CI	ECR-09-025091	16NOV2009	ABS	MH



NOTES:

1. FOR USE WITH CONTACT SYSTEM Ø1.5MM SOCKET: PART No. 929988 / 929989 / 929990 / 1-1719188-0  
 PART No. 1-1719188-0 IS A HIGH NORMAL FORCE CONTACT FOR USE ON HIGH VIBRATION APPLICATIONS (FUEL INJECTORS)

REFER TO CONTACT APPLICATION SPECIFICATION 114-18040-1 FOR WIRE SIZE & INSULATION DIAMETER SIZE DETAILS.

2. MATING INTERFACE DETAILS: 114-3223

THIS DRAWING IS A CONTROLLED DOCUMENT FOR TYCO ELECTRONICS CORPORATION. IT IS SUBJECT TO CHANGE AND THE CONTROLLING ENGINEERING ORGANIZATION SHOULD BE CONTACTED FOR THE LATEST REVISION.

DIMENSIONS:	TOLERANCES UNLESS OTHERWISE SPECIFIED:
mm	0 PLC ±
	1 PLC ±
	2 PLC ±
	3 PLC ±
	4 PLC ±
	ANGLES ±°
MATERIAL	FINISH

RED	NYLON 6.6 13% G.F.	SECONDARY LOCK	3	1337245-3
GREEN	FLOUROCARBON, SILICON OIL COATED	SEAL	2	
BLACK	NYLON 6.6 13% G.F.	HOUSING	1	
COLOUR	MATERIAL	ITEM	PART NUMBER	
MADE FROM				
DWN	D.R.TERRY	4MAY2000	Tyco Electronics UK Ltd Stanmore, Middlesex, HA7 4RS	
CHK	R.CHALLIS	28MAR2000		
APVD	M.WHELAN	29MAR2000		
PRODUCT SPEC	2 POSITION 1.5mm SOCKET			
APPLICATION SPEC	RECEPTACLE CONNECTOR ASSY.			
SIZE	CAGE CODE	DRAWING NO	RESTRICTED TO	
WEIGHT	A2	00779	G-1337245	-
CUSTOMER DRAWING	SCALE	3:1	SHEET	1 OF 1
				REV C1