

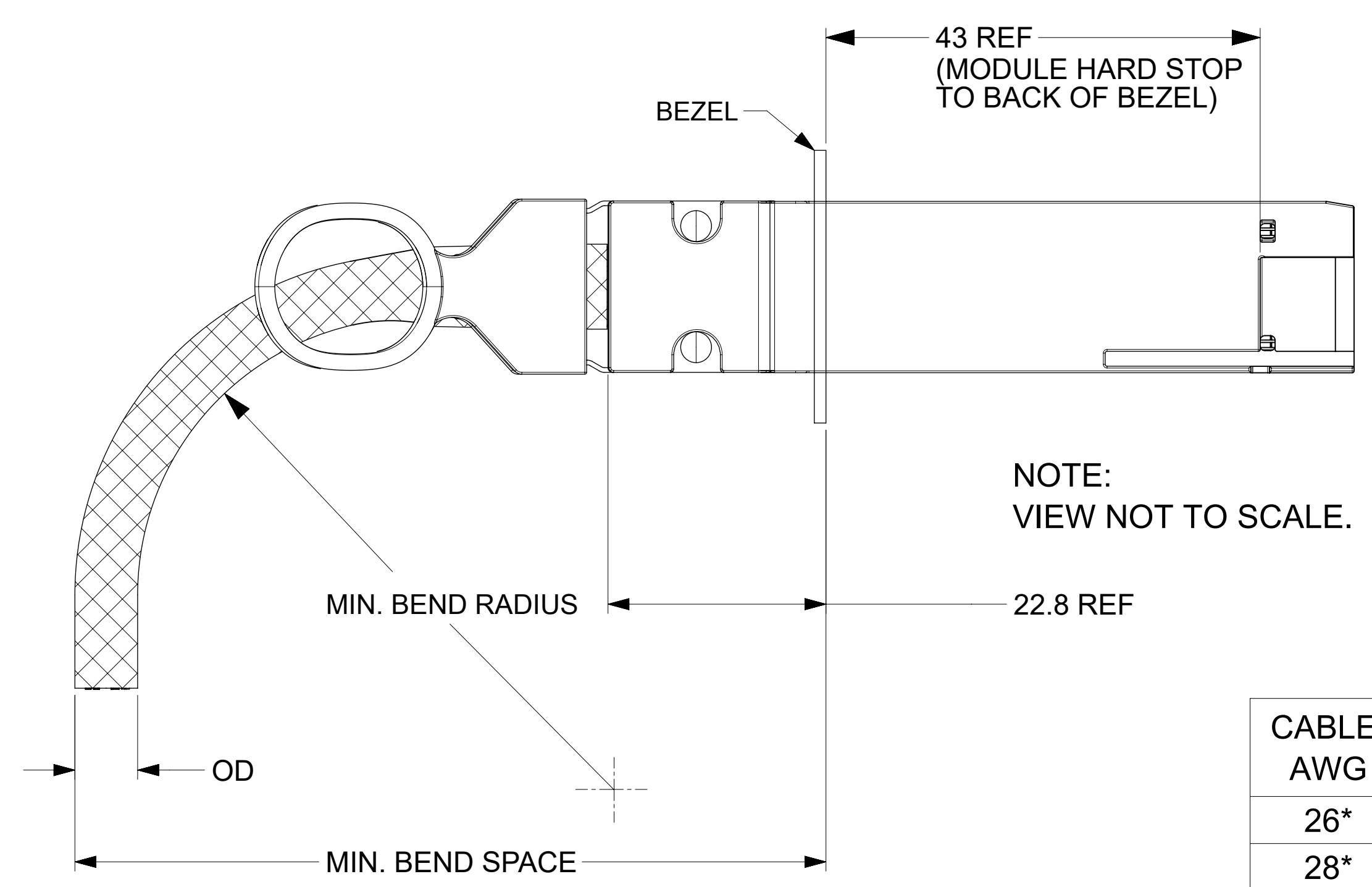
NOTES:

1. CABLE LENGTH DEPENDS ON WIRE GAUGE, DATA RATE, AND HOST BOARD DRIVER CAPABILITIES
2. MATERIALS:
 - BACKSHELLS - ZINC DIE CAST WITH BRIGHT NICKEL PLATING
 - DELATCH - STAINLESS STEEL WITH OVERMOLDED NYLON
 - RIVETS - STAINLESS STEEL
3. IMPEDANCE - 100 OHMS DIFFERENTIAL
4. EEPROM MAP AVAILABLE UPON REQUEST
5. RoHS COMPLIANT, NO EXEMPTIONS

FUNCTIONAL SYMBOLS $F_A = 0$ $F_C = 0$ $F_P = 0$ DIVISIONAL SYMBOLS	THIS DRAWING CONTAINS INFORMATION THAT IS PROPRIETARY TO MOLEX ELECTRONIC TECHNOLOGIES, LLC AND SHOULD NOT BE USED WITHOUT WRITTEN PERMISSION		CURRENT REV DESC: SHEET4 : ADDED 1M AND 1.5M LENGTH TO PN TABLE					
	DIMENSION UNITS	SCALE	GENERAL TOLERANCES (UNLESS SPECIFIED)					
	mm	2:1	ANGULAR TOL $\pm 5.0^\circ$					
	4 PLACES \pm		3 PLACES \pm					
3 PLACES \pm		2 PLACES ± 0.13		EC NO: 660218	DRWN: KNAGANNA 2021/04/06 CHK'D: SKAMATHN 2021/04/07 APPR: KNAGANNA 2021/04/07			
2 PLACES ± 0.25		1 PLACE \pm		INITIAL REVISION:				
0 PLACES \pm		DRAFT WHERE APPLICABLE MUST REMAIN WITHIN DIMENSIONS		DRWN: RWHIPPLE 2020/07/17	2020/07/20			
THIRD ANGLE PROJECTION		DRAWING		SERIES	DOCUMENT NUMBER	DOC TYPE	DOC PART	REVISION
D-DRAWING		D-SIZE		201591	2015913106	PSD	000	D
MATERIAL NUMBER		CUSTOMER		SHEET NUMBER				
SEE P/N TABLE		GENERAL MARKET		1 OF 4				

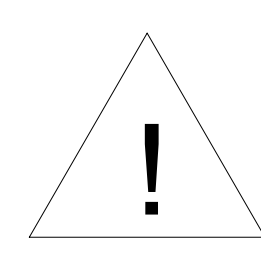
DOCUMENT STATUS	P1	RELEASE DATE	2021/04/07	11:06:28
-----------------	----	--------------	------------	----------

CABLE BEND RADIUS

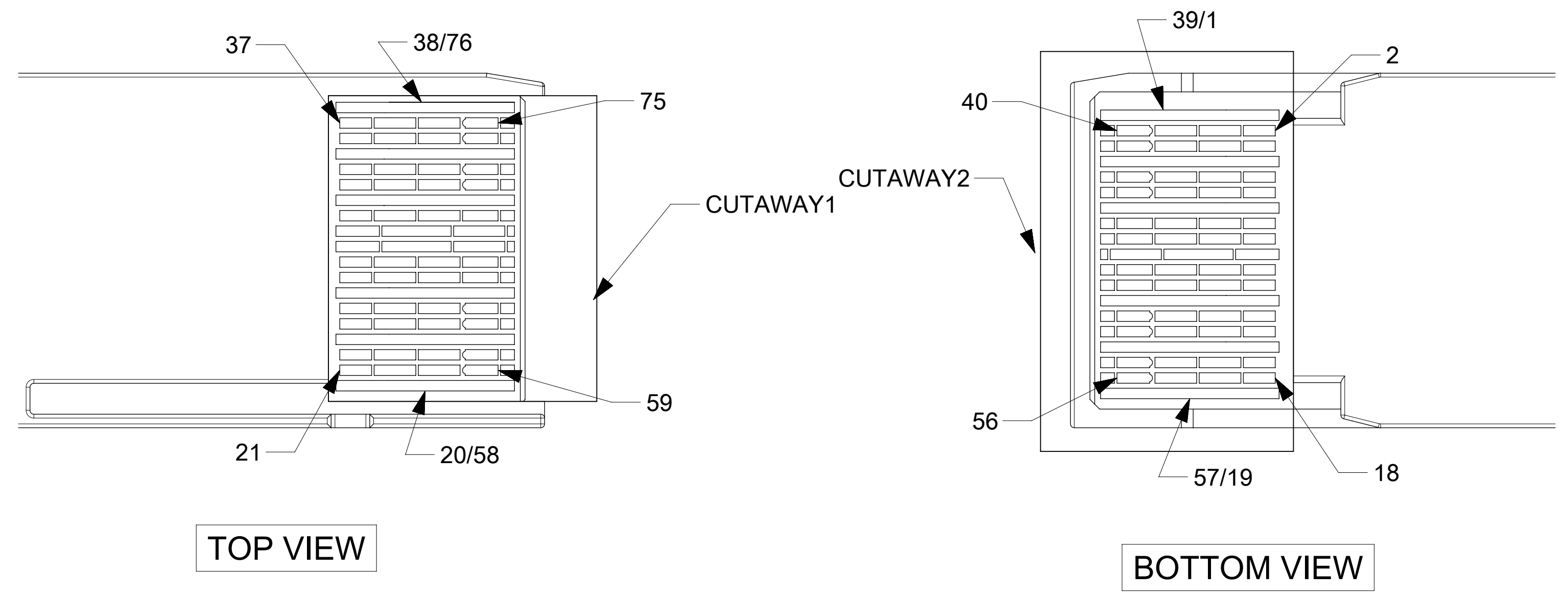


NOTE:
VIEW NOT TO SCALE.

CABLE AWG	OD (mm)	MIN BEND RADIUS (mm)	MIN BEND SPACE (mm)
26*	(13)	(65)	(101)
28*	(11)	(55)	(89)



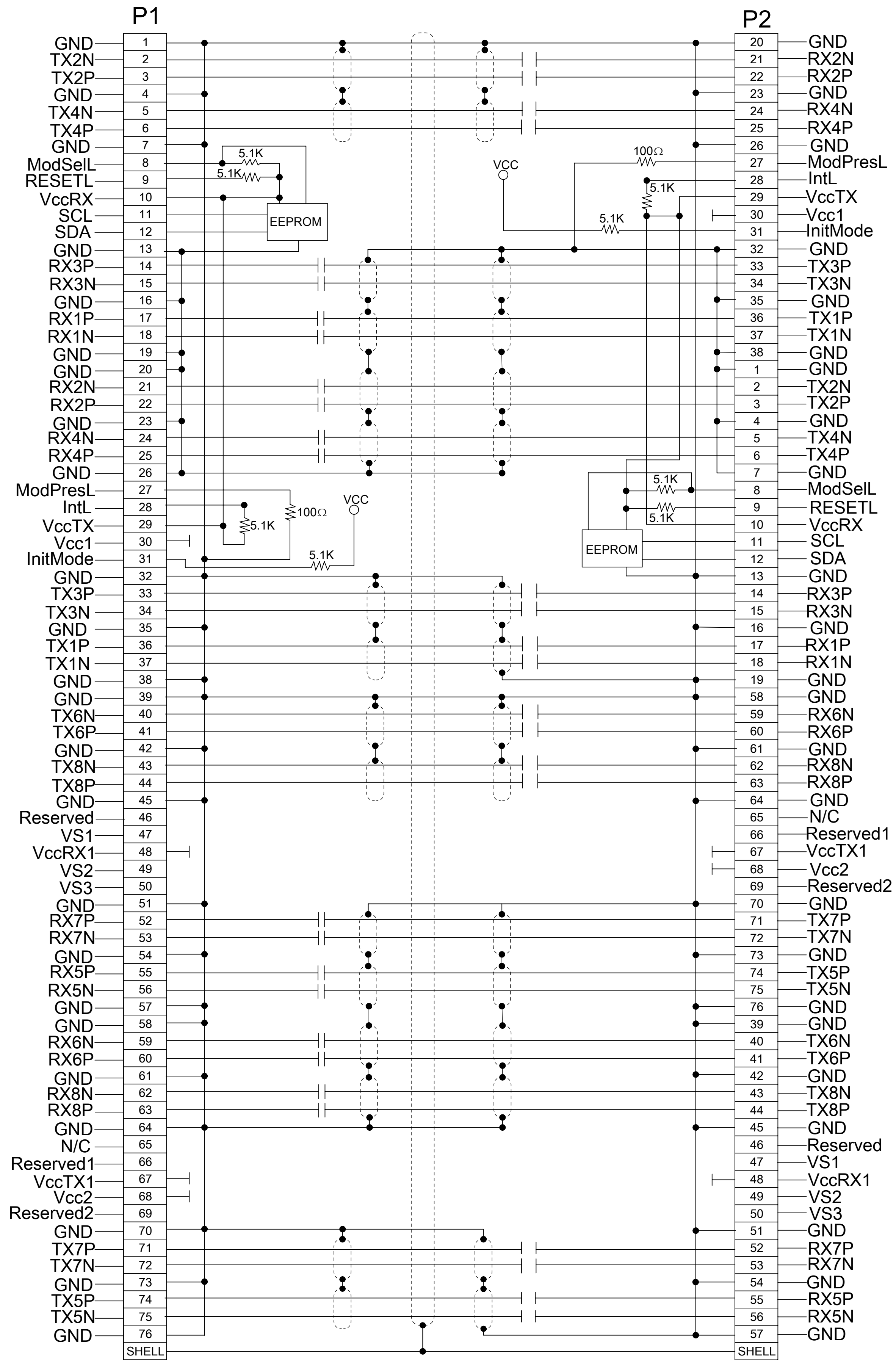
*MINIMUM BEND RADIUS PENDING QUALIFICATION. NUMBERS ABOVE ARE ESTIMATES AND SUBJECT TO CHANGE.



- NOTES:
- DC BLOCKING CAPS ON RECEIVE SIDE ONLY
 - CABLE COILED AND PACKAGED IN BEST FIT ESD BAG AND SEALED WITH ESD LABEL FOR SHIPPING

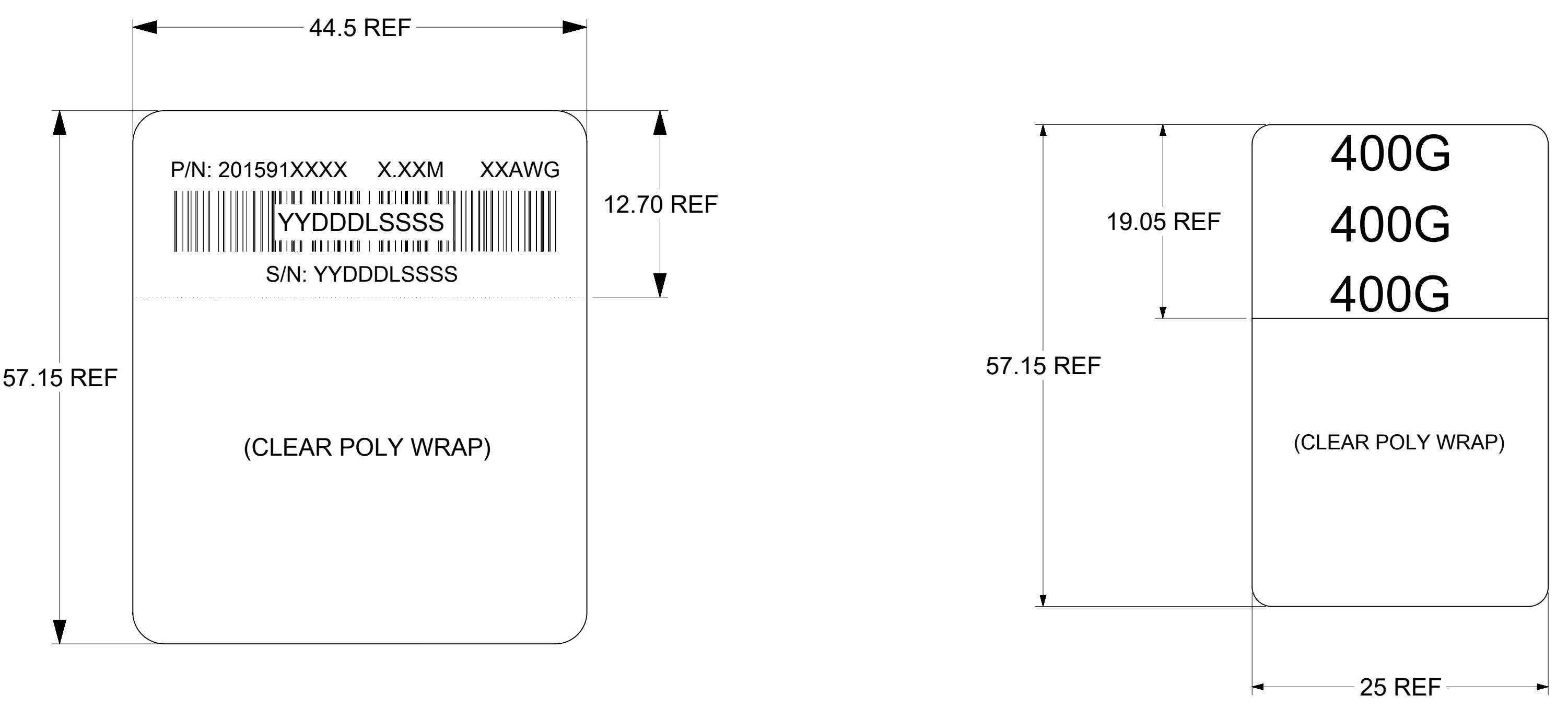
FUNCTIONAL SYMBOLS $F_A = 0$ $F_C = 0$ $F_D = 0$	THIS DRAWING CONTAINS INFORMATION THAT IS PROPRIETARY TO MOLEX ELECTRONIC TECHNOLOGIES, LLC AND SHOULD NOT BE USED WITHOUT WRITTEN PERMISSION		CURRENT REV DESC: SHEET4 : ADDED 1M AND 1.5M LENGTH TO PN TABLE		
	DIMENSION UNITS mm	SCALE 20:1	molex QSFP-DD TO QSFP-DD 56G PASSIVE CABLE ASY PRODUCT CUSTOMER DRAWING		
	GENERAL TOLERANCES (UNLESS SPECIFIED)				
	ANGULAR TOL $\pm 5.0^\circ$				
4 PLACES \pm 3 PLACES \pm 2 PLACES ± 0.13 1 PLACE ± 0.25 0 PLACES \pm					
DIVISIONAL SYMBOLS	DRAFT WHERE APPLICABLE MUST REMAIN WITHIN DIMENSIONS		EC NO: 660218 DRWN: KNAGANNA 2021/04/06 CHK'D: SKAMATHN 2021/04/07 APPR: KNAGANNA 2021/04/07	INITIAL REVISION: DRWN: RWHIPPLE 2020/07/17 APPR: MGARRISON 2020/07/20	
	THIRD ANGLE PROJECTION	DRAWING D-SIZE	SERIES 201591	MATERIAL NUMBER SEE P/N TABLE	CUSTOMER GENERAL MARKET

WIRING DIAGRAM



FUNCTIONAL SYMBOLS $\nabla_A = 0$ $\nabla_C = 0$ $\nabla_P = 0$	DIMENSION UNITS mm	SCALE 1:1	THIS DRAWING CONTAINS INFORMATION THAT IS PROPRIETARY TO MOLEX ELECTRONIC TECHNOLOGIES, LLC AND SHOULD NOT BE USED WITHOUT WRITTEN PERMISSION CURRENT REV DESC: SHEET4 : ADDED 1M AND 1.5M LENGTH TO PN TABLE					
	GENERAL TOLERANCES (UNLESS SPECIFIED) ANGULAR TOL $\pm 5.0^\circ$			<div style="font-size: 24px; font-weight: bold; margin-bottom: 10px;">molex</div> QSFP-DD TO QSFP-DD 56G PASSIVE CABLE ASY				
DIVISIONAL SYMBOLS 4 PLACES \pm 3 PLACES \pm 2 PLACES ± 0.13 1 PLACE ± 0.25 0 PLACES \pm			EC NO: 660218 DRWN: KNAGANNA 2021/04/06 CHK'D: SKAMATHN 2021/04/07 APPR: KNAGANNA 2021/04/07					
DRAFT WHERE APPLICABLE MUST REMAIN WITHIN DIMENSIONS			THIRD ANGLE PROJECTION 	DRAWING D-SIZE	SERIES 201591	MATERIAL NUMBER 2015913106	CUSTOMER GENERAL MARKET	SHEET NUMBER 3 OF 4

LABEL DETAILS



P/N: 201591XXXX - MOLEX PART NUMBER (SEE P/N TABLE)

X.XXM - CABLE LENGTH IN METERS (EXAMPLES - 0.5M, 1.0M, 1.5M)
SEE P/N TABLE FOR THE NUMBER OF DIGITS

XXAWG - CABLE SIZE IN AWG

S/N: YYDDLSSSS - SERIAL NUMBER
 YY = YEAR, THE LAST 2 DIGITS OF YEAR
 DDD = DAY OF THE YEAR
 L = LOCATION
 1 - USA
 2 - MEXICO
 3 - CHINA
 4 - PHILIPPINES
 SSSS = SERIAL NUMBER (0001-9999)

MOLEX P/N	LENGTH (M)	AWG
2015913106	1.0M +/- 0.08M	28
2015913156	1.5M +/- 0.08M	28
2015913176	1.75M +/- 0.08M	28
2015913206	2.0M +/- 0.08M	28
2015913256	2.5M +/- 0.08M	26
2015913276	2.75M +/- 0.08M	26
2015913306	3.0M +/- 0.08M	26

FUNCTIONAL SYMBOLS $\nabla_A = 0$ $\nabla_C = 0$ $\nabla_D = 0$	THIS DRAWING CONTAINS INFORMATION THAT IS PROPRIETARY TO MOLEX ELECTRONIC TECHNOLOGIES, LLC AND SHOULD NOT BE USED WITHOUT WRITTEN PERMISSION		CURRENT REV DESC: SHEET4 : ADDED 1M AND 1.5M LENGTH TO PN TABLE					
	DIMENSION UNITS	SCALE	GENERAL TOLERANCES (UNLESS SPECIFIED)					
	mm	1:1	ANGULAR TOL ± 5.0°					
	DIVISIONAL SYMBOLS		EC NO: 660218					
DRAFT WHERE APPLICABLE MUST REMAIN WITHIN DIMENSIONS		THIRD ANGLE PROJECTION	DRAWING	SERIES	DOCUMENT NUMBER	DOC TYPE	DOC PART	REVISION
			D-SIZE	201591	2015913106	PSD	000	D
DOCUMENT STATUS		P1	RELEASE DATE	2021/04/07	11:06:28			