

PART NO MATRIX

E W 6 A 0 6 1 1 5 M X X X

E=ETHERNET

HEADS:
W=M12 4-Pole Ultra Lock
D-Coding
6=RJ45

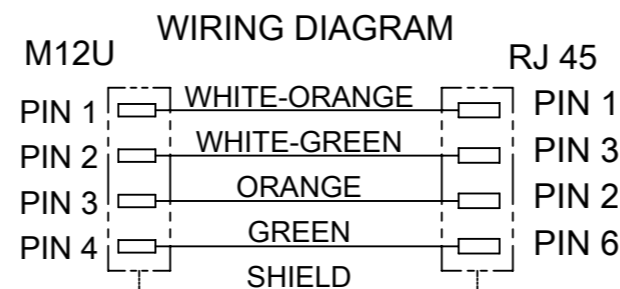
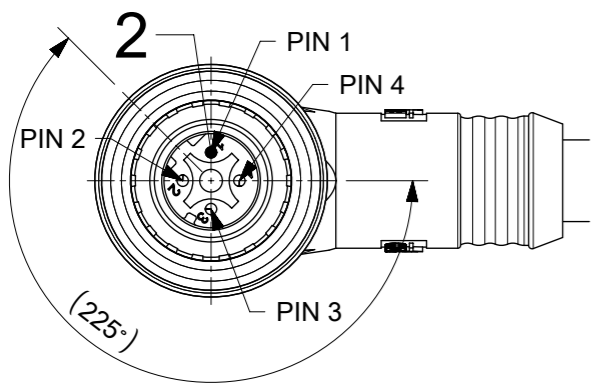
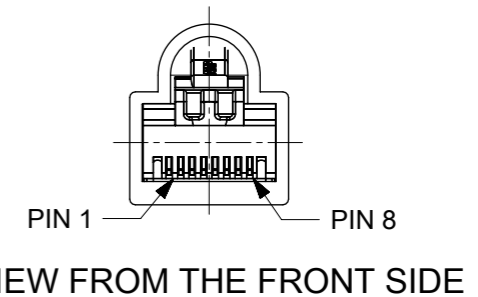
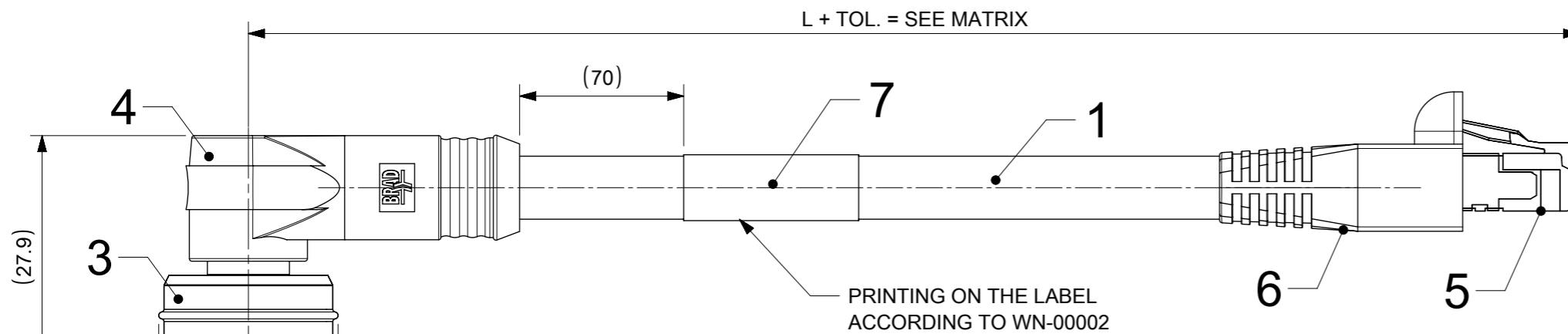
HEADS STYLE:
061=MALE RA / RJ 45 PLUG STR

UNITS:
M= METER
T=10x METER

WIRING TYPE:
A=4 Pole
STRAIGHT WIRED

CABLE TYPE :

LENGTH EXAMPLES:
005=0.5m
010=1m
150=15m



BOM

ITEM	QTY.	DESCRIPTION	MATERIAL	FINISH/COLOR
7	1	WRAP LABEL	VINYL	YELLOW
6	1	STRAIN RELIEF BOOT	-	BLACK
5	1	RJ45-PLUG	-	-
4	-	MOULDING MATERIAL	PUR	BLACK
3	1	M12 4P ULTRALOCK ASSY	-	-
2	4	CONTACT 10 MALE	BRASS	GOLD OVER Ni-PLATED
1	-	CABLE #26-4 SHIELDED CAT5E	PVC	TEAL

PART LIST

SL. NO	MOLEX PN	ENGINEERING NO.	LENGTH (mm)
1	1201088214	EW6A06115M020	2000
2	1201088215	EW6A06115M060	6000
3	1201088216	EW6A06115M100	10000
4	1201088217	EW6A06115M150	15000
5	1201088218	EW6A06115M200	20000
6	1201088219	EW6A06115M300	30000
7	1201088220	EW6A06115M400	40000
8	1201088221	EW6A06115M500	50000
9	1201088222	EW6A06115M900	90000
10	1201088223	EW6A06115T100	100000

NOTES :

ELECTRICAL DATA :
ACCORDING TO CAT5e
VOLTAGE RATING : 30V
AMPERAGE RATING : 1.5A
INSULATION RESISTANCE : 10⁹Ω MIN.
MATING CYCLES : MIN. 100
ENVIRONMENTAL :
PROTECTION CLASS RJ45 : IP20
PROTECTION : IP67 IN MATED AND LOCKED POSITION
OPERATING TEMPERATURE : -25°C TO +80°C

TABLE OF LENGHT TOLERANCES (mm)

OVER	UP TO AND INCLUDING	TOLERANCE
0	305	+19
305	915	+45
915	1830	+56
1830	3660	+89
3660	7320	+165
7320	14640	+317
14640	30500	+610
30500	>	+2% OF LENGTH

THIS DRAWING CONTAINS INFORMATION THAT IS PROPRIETARY TO MOLEX ELECTRONIC TECHNOLOGIES, LLC AND SHOULD NOT BE USED WITHOUT WRITTEN PERMISSION

FUNCTIONAL SYMBOLS: $\nabla/A = 0$, $\nabla/E = 0$, $\nabla/F = 0$

DIVISIONAL SYMBOLS: $\nabla/A = 0$, $\nabla/E = 0$, $\nabla/F = 0$

THIS DRAWING DIMENSION UNITS: mm SCALE: 3:2

GENERAL TOLERANCES (UNLESS SPECIFIED):
ANGULAR TOL ± 1.0°
4 PLACES ±
3 PLACES ±
2 PLACES ± 0.05
1 PLACE ± 0.3
0 PLACES ± 0.5

DRAFT WHERE APPLICABLE MUST REMAIN WITHIN DIMENSIONS

THIRD ANGLE PROJECTION:

DRAWING: A3-SIZE

SERIES: 120108

MATERIAL NUMBER: SEE PART LIST

CUSTOMER: GENERAL MARKET

SHEET NUMBER: 1 OF 1

EC NO: 698441
DRWN: MDHARMANTI 2022/02/22
CHK'D: RSILLER 2022/03/08
APPR: RSILLER 2022/03/08

INITIAL REVISION:
DRWN: MDHARMANTI 2022/02/22
APPR: RSILLER 2022/03/08

DOCUMENT NUMBER: 1201088214

DOC TYPE: PSD

DOC PART: 000

REVISION: A

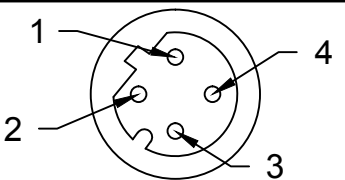
molex

MIC 4P M ULLOCK 90D TO RJ45 XM PVC SHLD

PRODUCT CUSTOMER DRAWING

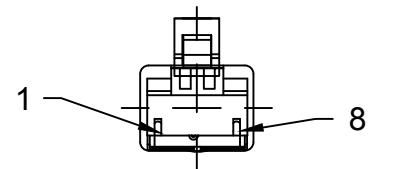
CURRENT REV DESC: MIGRATED

FRONT VIEW - MALE M12

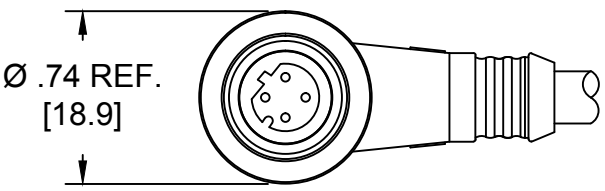
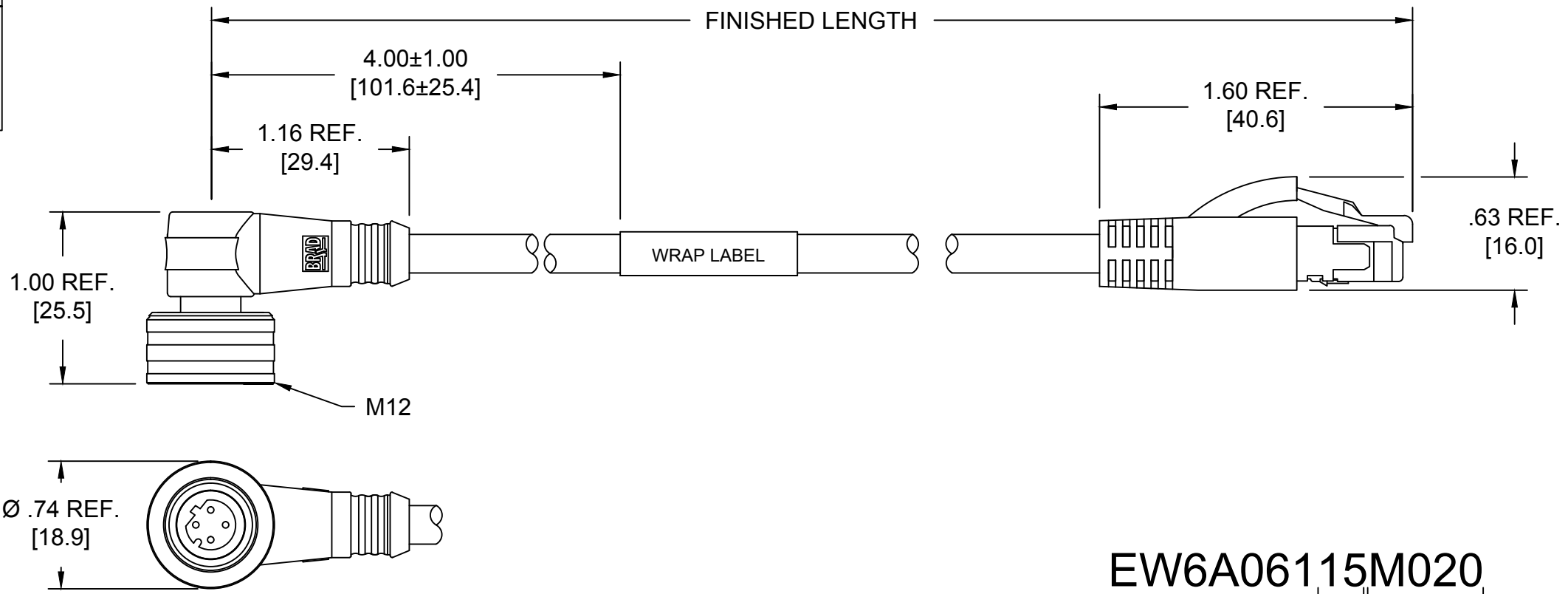


- 1-WHITE/ORANGE
- 2-WHITE/GREEN
- 3-ORANGE
- 4-GREEN

FRONT VIEW - MALE RJ45



- 1-WHITE/ORANGE
- 2-ORANGE
- 3-WHITE/GREEN
- 6-GREEN



EW6A06115M020

CABLE TYPE: 2Px26AWG PVC TEAL
 CABLE LENGTH: 010----1 Meter / 100----10 Meters

NOTES:

MECHANICAL

RJ45
 PLUG: CLEAR POLYCARBONATE
 BOOT: BLACK PVC

M12 CONNECTOR

INSERT: BLACK PUR
 CONTACT: GOLD/NICKEL OVER COPPER ALLOY
 COUPLING NUT: NICKEL PLATED BRASS
 MOLDED BODY: BLACK PUR

CABLE: 26 AWG 4 CONDUCTORS SHIELDED TEAL PVC JACKET

UL LISTED: CMR
 CSA LISTED: CMR

CABLE MARKING: BradConnectivity™ INDUSTRIAL ETHERNET CAT 5E FLEX PATCH CORD P/N 87-2441
 -- E118830 (UL) C(UL) TYPE CMR 2 PR 26 AWG 75C - RoHS - (LOT DESIGNATOR)
 (SEQUENTIAL METERS)

WRAP LABEL: MARKED WITH P/N, DATE CODE, VOLTAGE & AMPERAGE

ELECTRICAL

ACCORDING TO CAT5e
 VOLTAGE RATING: 30V AC/DC
 AMPERAGE: 1.5A

INITIAL RELEASE EC NO: IPG2014-1039 DRWN: BARDEN 2013/12/04 CHKD: TWOLDEGE 2014/04/09 APPR: JFMURPHY 2014/08/02	DESCRIPTION REV	QUALITY SYMBOLS ▽=0 ▽C=0	GENERAL TOLERANCES (UNLESS SPECIFIED)		DIMENSION STYLE IN/MM		SCALE NTS	DESIGN UNITS INCH	THIRD ANGLE PROJECTION		
			mm	INCH	DRAWN BY	DATE	TITLE MICRO-CHANGE/RJ45 4P M ULOCK 90D TO RJ45 #26-2P TEAL PVC CAT5E				
		4 PLACES	±---	±---	BARDEN	2013/12/04					
		3 PLACES	±---	±.005	CHECKED BY	DATE	MOLEX INCORPORATED DOCUMENT NO. SD-120108-069 SHEET NO. 1 OF 1				
2 PLACES	±0.13	±.010	TWOLDEGE	2014/04/09							
1 PLACE	±0.25	±.020	APPROVED BY	DATE	THIS DRAWING CONTAINS INFORMATION THAT IS PROPRIETARY TO MOLEX INCORPORATED AND SHOULD NOT BE USED WITHOUT WRITTEN PERMISSION						
ANGULAR ±1/2°			JFMURPHY	2014/08/02							
DRAFT WHERE APPLICABLE MUST REMAIN WITHIN DIMENSIONS			MATERIAL NO.	---							
A	REV		SIZE	B							