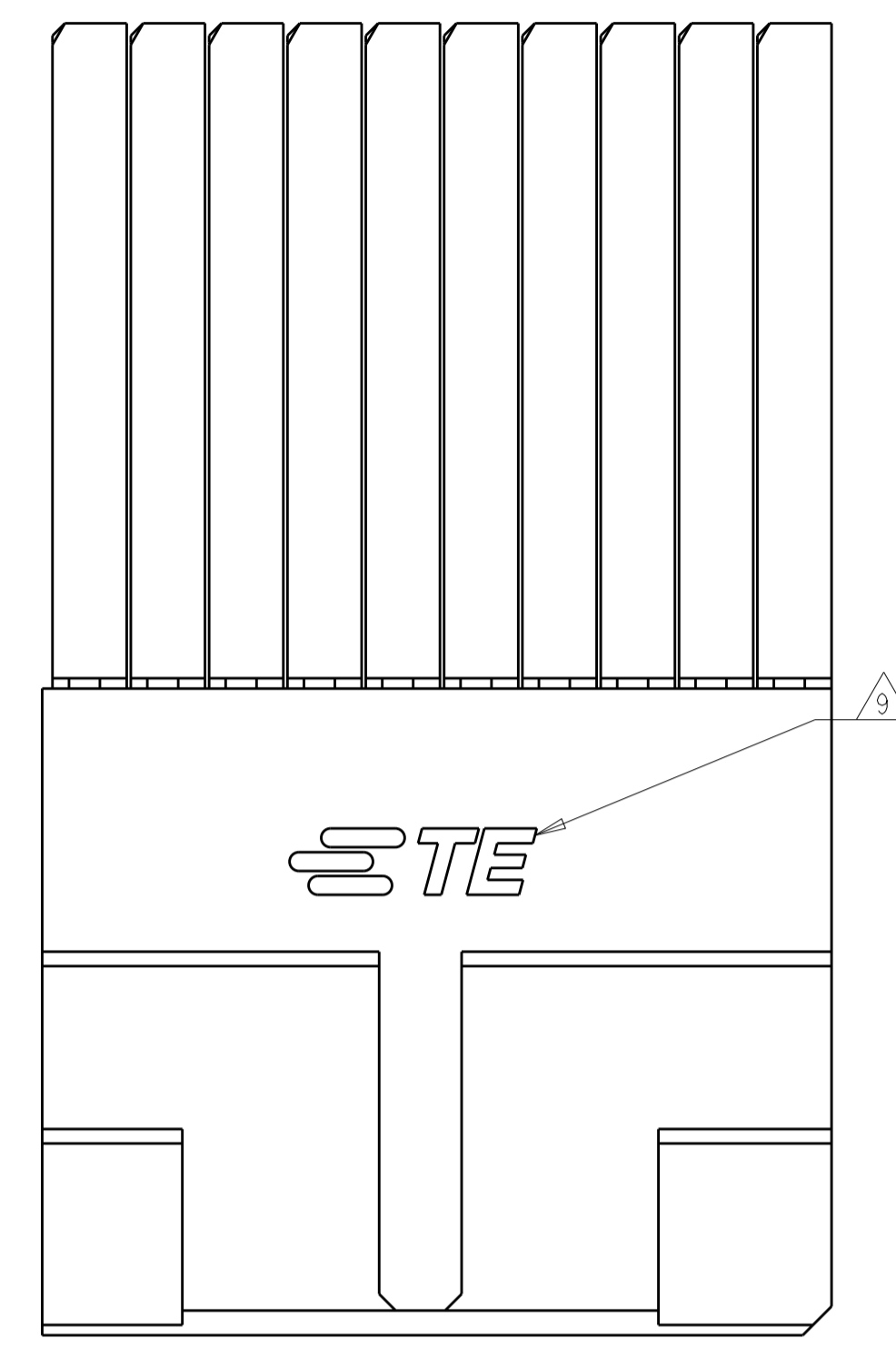
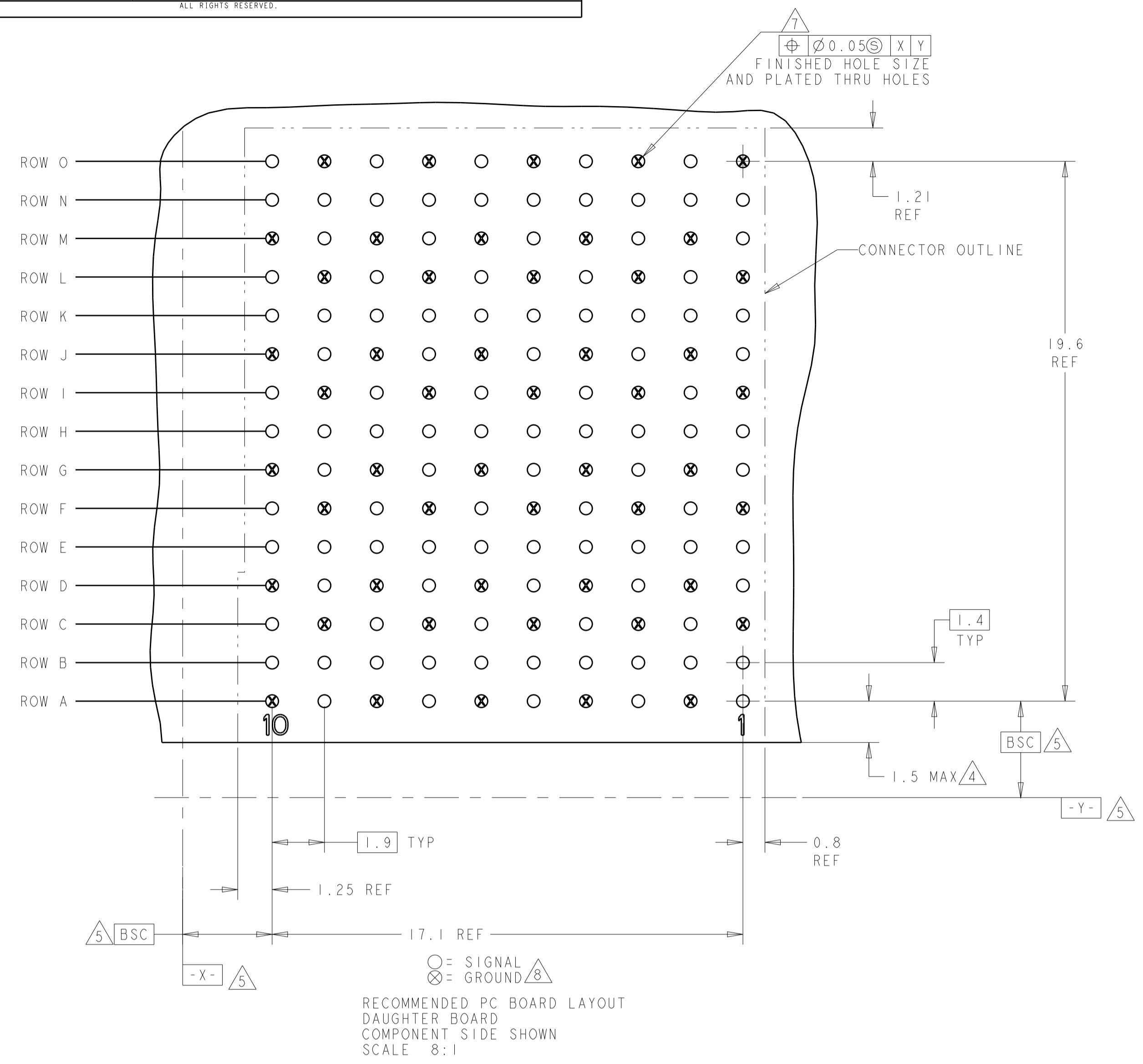
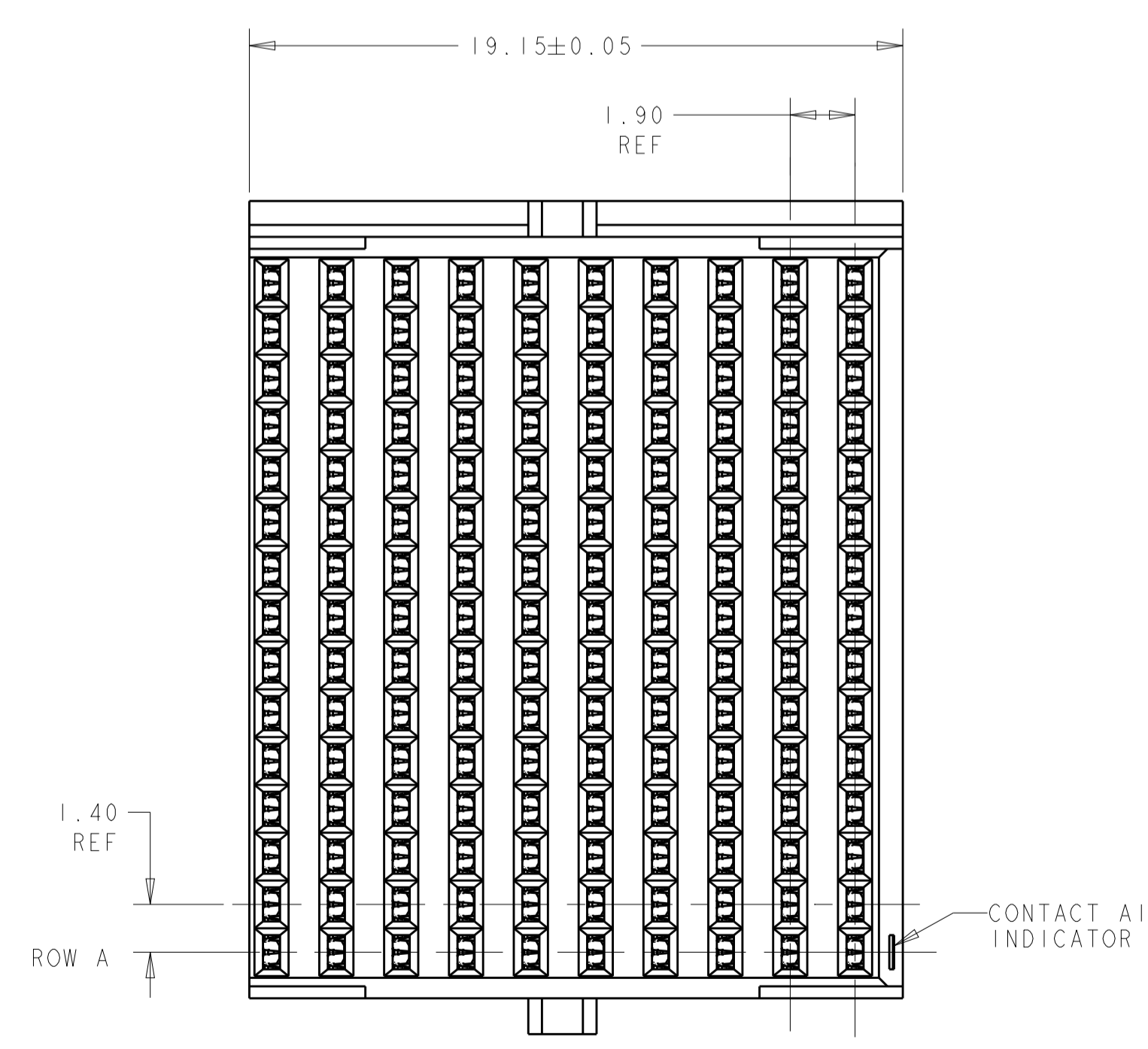
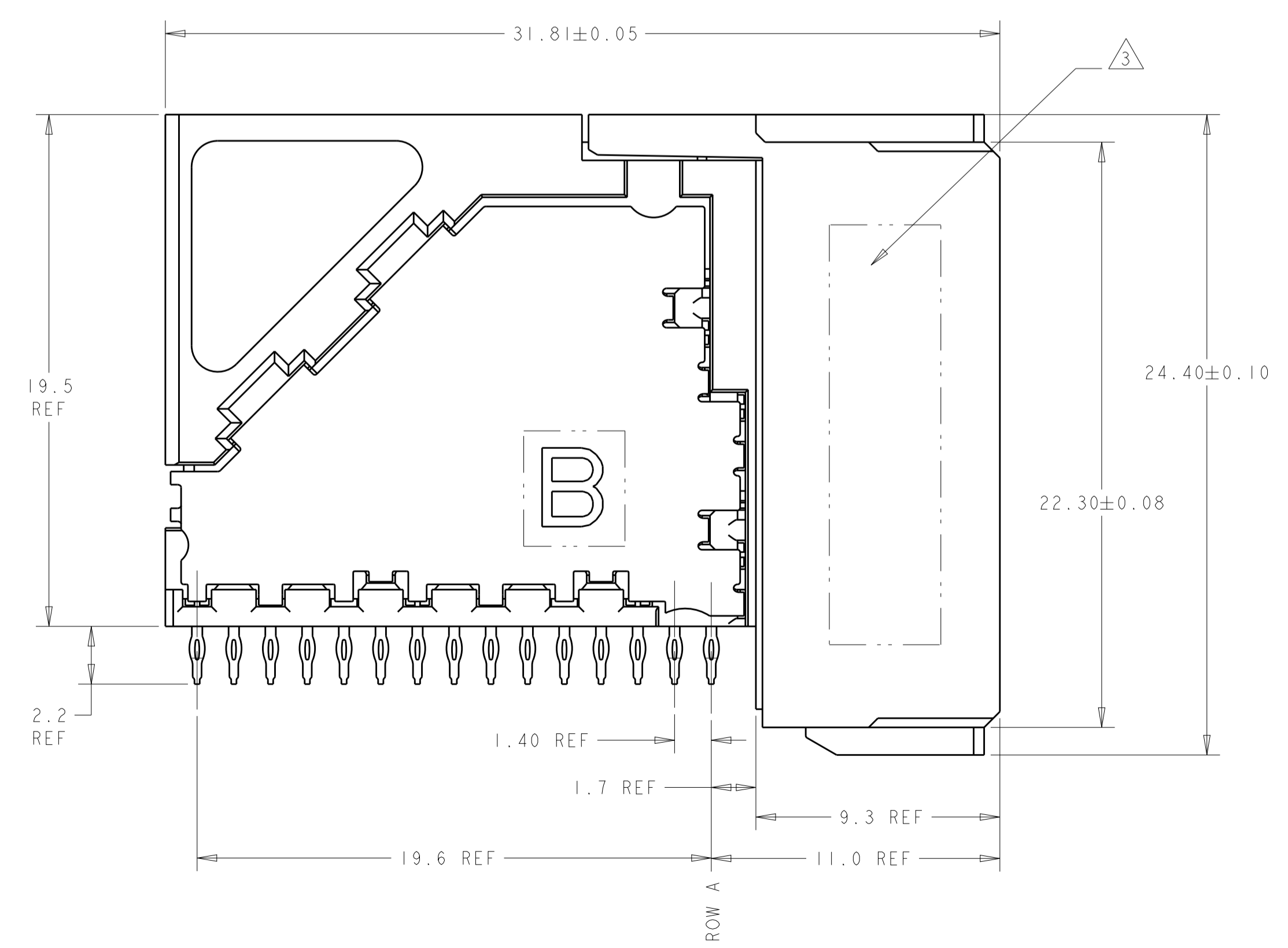


LOC	DIST	REVISIONS					
		P	LTN	DESCRIPTION	DATE	DWN	APVD
AD	00	A		REVISED PER ECO-14-013100	02SEP2014	AP	RP
		B		REVISED PER ECO-19-012987	29AUG2019	AP	SY



- △ MATERIAL:  
 CONTACT AND SHIELD: PHOS BRONZE  
 HOUSING AND CHICKLET: LCP, UL 94V-0, COLOR: BLACK
- △ FINISH:  
 CONTACT AREA FINISH CONFORMS TO THE REQUIREMENTS OF TE PRODUCT SPECIFICATION 108-2303; BASED ON TELCORDIA GR-1217-CORE FOR SYSTEM QUALITY LEVEL III APPLICATIONS IN CONTROLLED ENVIRONMENTS (CENTRAL OFFICE).
- △ CONNECTOR MARKED WITH PART NUMBER, DATE CODE, 85 OHM, AND STANDARD IN APPROXIMATE AREA SHOWN.
- △ DIMENSION APPLIES TO CENTERLINE OF THRU HOLE.
- △ DATUMS AND BASIC DIMENSIONS ESTABLISHED BY CUSTOMER.
- 6. CONTACT AREA LUBRICATED WITH BELLCORE APPROVED LUBRICANT. TECHNICAL REFERENCE: GR-1217-CORE, ISSUE 1, NOVEMBER 1995.
- △ REFERENCE APPLICATION SPEC FOR RECOMMENDED PLATED THRU HOLE DIAMETER AND PLATING THICKNESS.
- △ THE GROUNDS IN EACH COLUMN ARE COMMONED.
- △ SHOWN LOGO OR OTHER TE OWNED LOGOS IN APPROXIMATE AREA



1934932-1  
 PART NUMBER

THIS DRAWING IS A CONTROLLED DOCUMENT.		OWN: W. SOURBEER 02MAY2008	TE Connectivity	
		CHK: C. RITTER 02MAY2008		
DIMENSIONS: mm		APVD:	NAME: RECEPTACLE ASSEMBLY, 5 PAIR, 10 COLUMN TinMan 85 OHM	
TOLERANCES UNLESS OTHERWISE SPECIFIED:		PRODUCT SPEC: 108-2303-1	SIZE: A1	
0 PLC ±.1		APPLICATION SPEC: 114-13243	CAGE CODE: 1934932	
1 PLC ±.15		WEIGHT: -	RESTRICTED TO: -	
2 PLC ±.2		CUSTOMER DRAWING	SCALE: 6:1 SHEET 1 OF 1 REV B	
3 PLC ±.3				
4 PLC ±.4				
ANGLES ±.5				
FINISH: △				