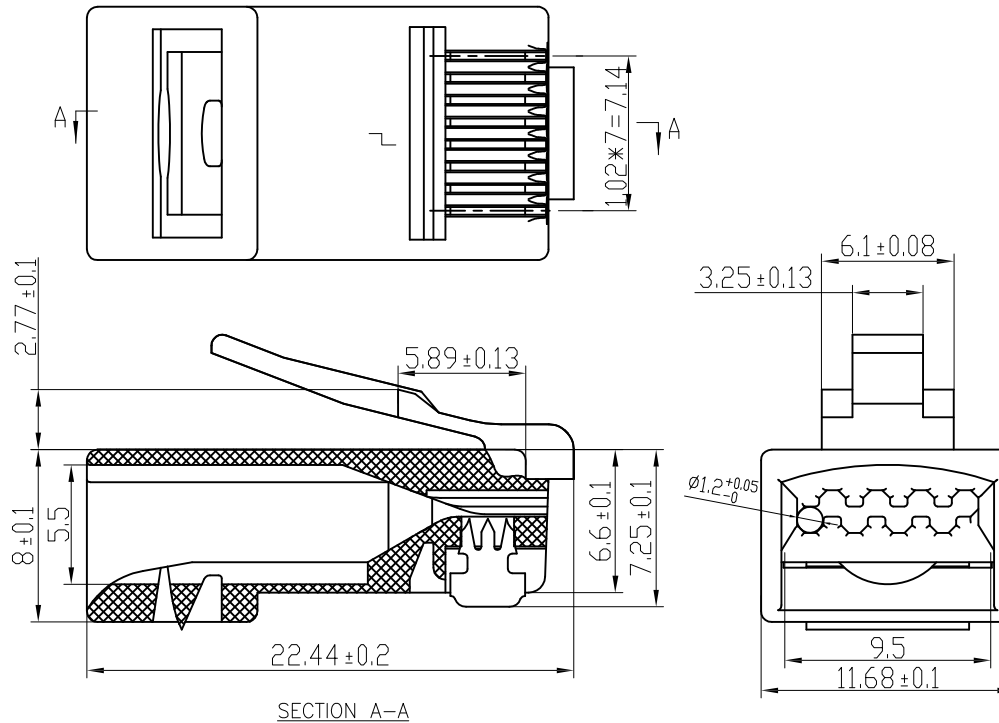


APPROVED: _____
 DATE: _____ TITLE: _____

| Rev | AWO # | Description | Date | Appr |
|-----|-------|---------------|----------|-------|
| - | | RELEASED | 9/25/20 | |
| A | | UPDATED SPEC. | 08/01/21 | TW/MP |



SPECIFICATIONS:

Material:
 Insulator: PC, rated UL 94V-0
 Insulator color: Clear
 Contacts: Copper Alloy
 Plating:
 Gold over Nickel underplate on contact area
Electrical:
 Voltage rating: 150 VAC RMS
 Current rating: 1.5 Amp
 Contact resistance: 20 mohms max
 Insulation resistance: 1,000 Mohms min @ 500 VDC
 Dielectric withstanding voltage:
 Contact to Contact: 1,000 VDC or AC Peak for 1 minute
 Other Contacts Connected Together: 1,500 V DC/AC Peak all Contacts
 Connected Together to Shield (Housing/Mounting Plate) if Present @0.5mA
 50/60HZ For 1 Minute
Mechanical:
 Wire range: 21~23AWG Solid Wire with Max. insulation dia. of 1.09~1.19mm. Δ
 Temperature Rating:
 Operating temperature: -25°C to +55°C
 Environmental:
 Lead free, RoHS compliant



| "X" | PLATING |
|-----|------------------|
| X | Gold flash |
| U | 15 μ in Gold |
| W | 30 μ in Gold |
| G | 50 μ in Gold |

| | | | | |
|--|---------|---|------------------|--------------|
| UNLESS OTHERWISE SPECIFIED ALL DIMENSIONS ARE MILLIMETERS TOLERANCES: EXCEPT AS NOTED MM ANGLE 0~15 ± 0.15 ± 1° 15~30 ± 0.20 30~ ± 0.25 | | ADAM TECH 909 Rahway Avenue, Union, NJ 07083 Phone: 908-687-5000 INTERCONNECTS Fax: 908-687-5710 | | |
| | | TITLE: MODULAR TELEPHONE PLUG, 8P8C SOLID WIRE CONTACT, CATE 6 | | |
| APPROVALS | DATE | SIZE | PART NO. | REV. |
| DRAWN LH | 9/25/20 | X | MTPR-88-X-S-C6-A | A |
| CHECKED AY1 | 9/25/20 | REF: S00005C | SCALE: NTS | SHEET 1 OF 1 |
| APPROVED | | | | |