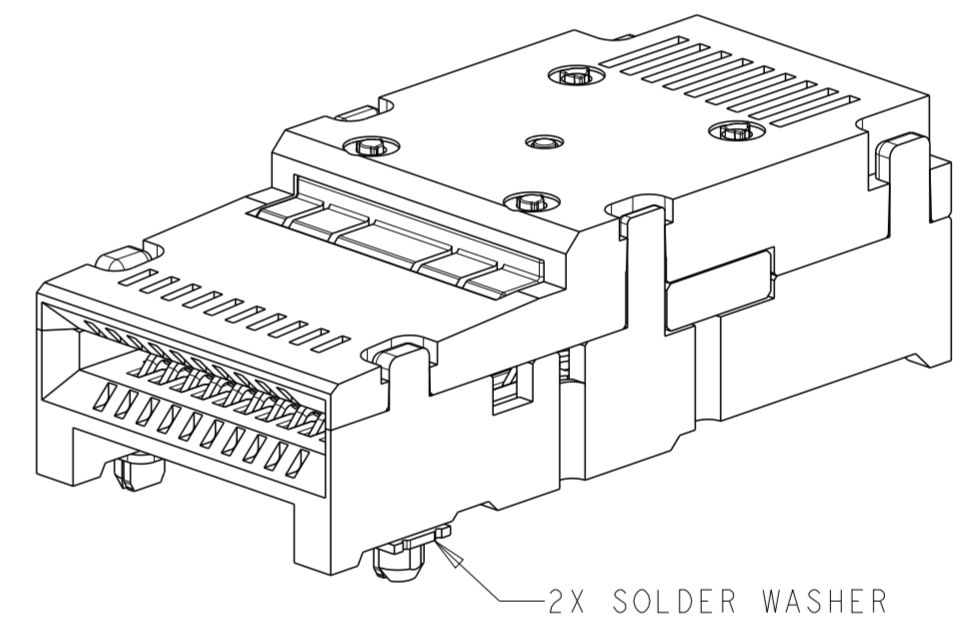
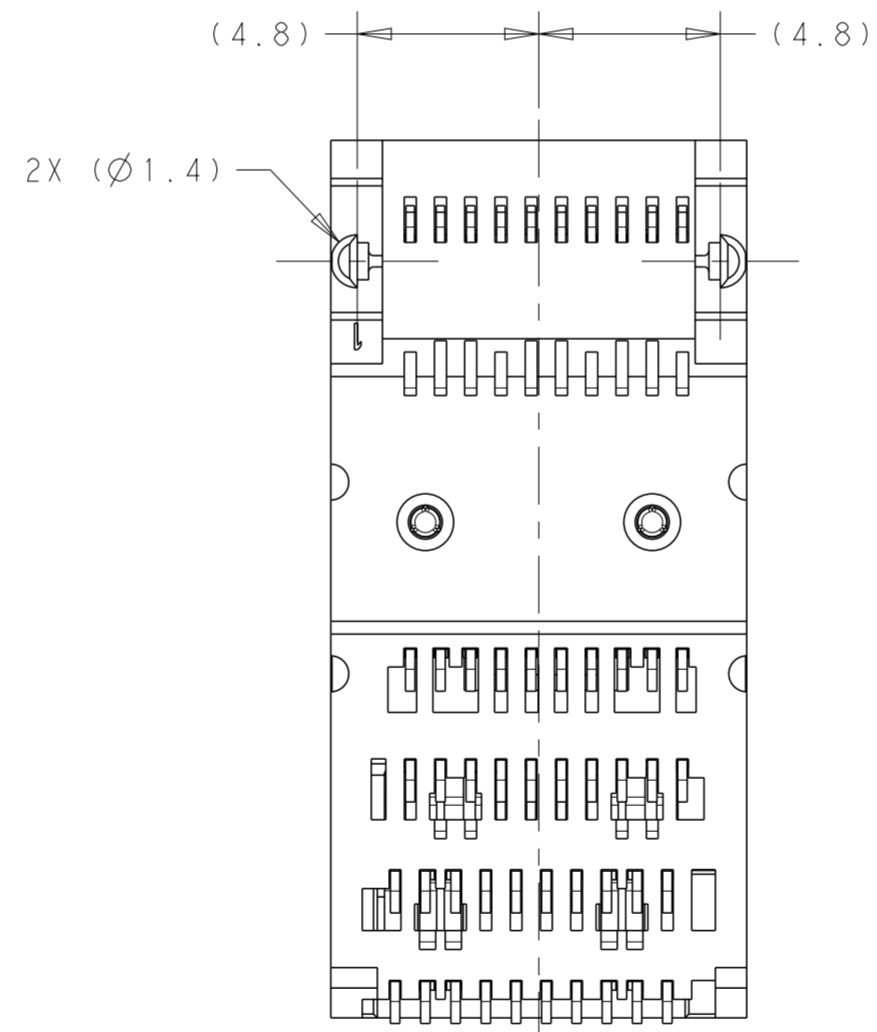
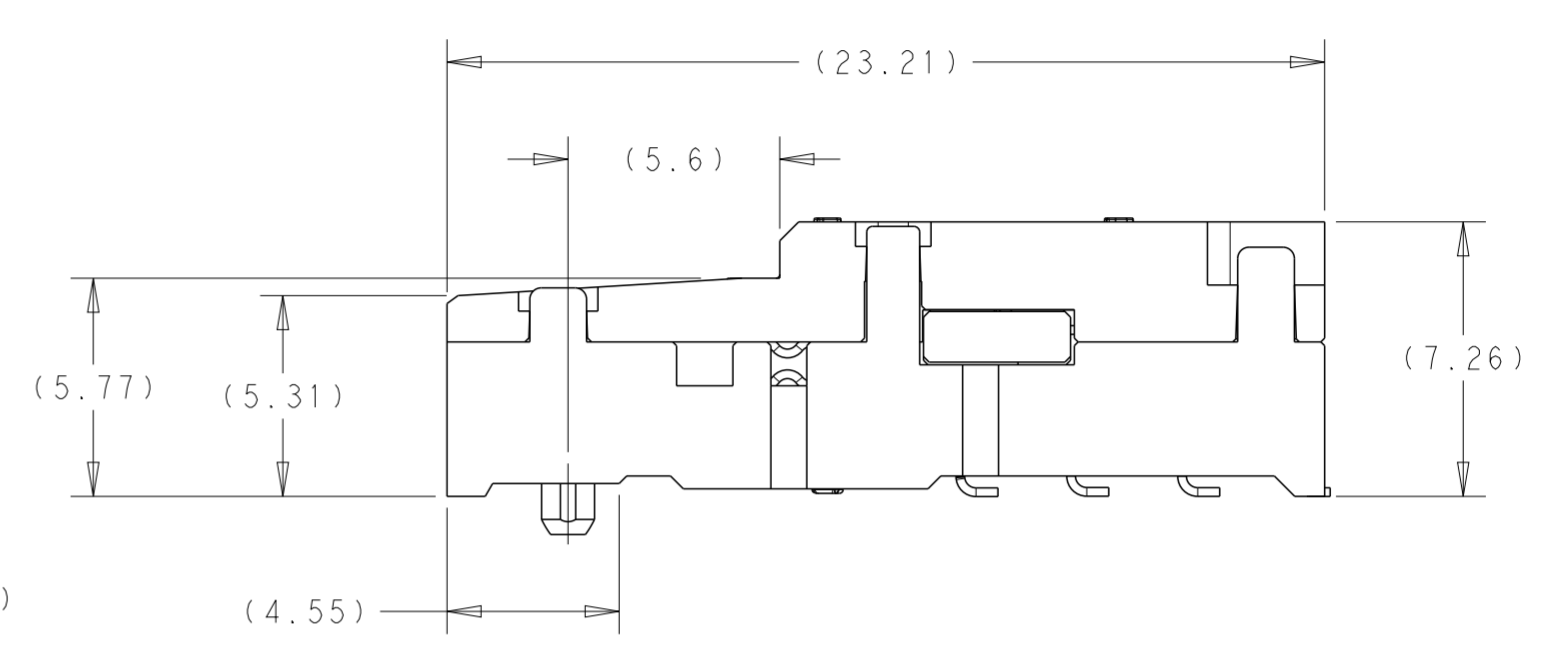
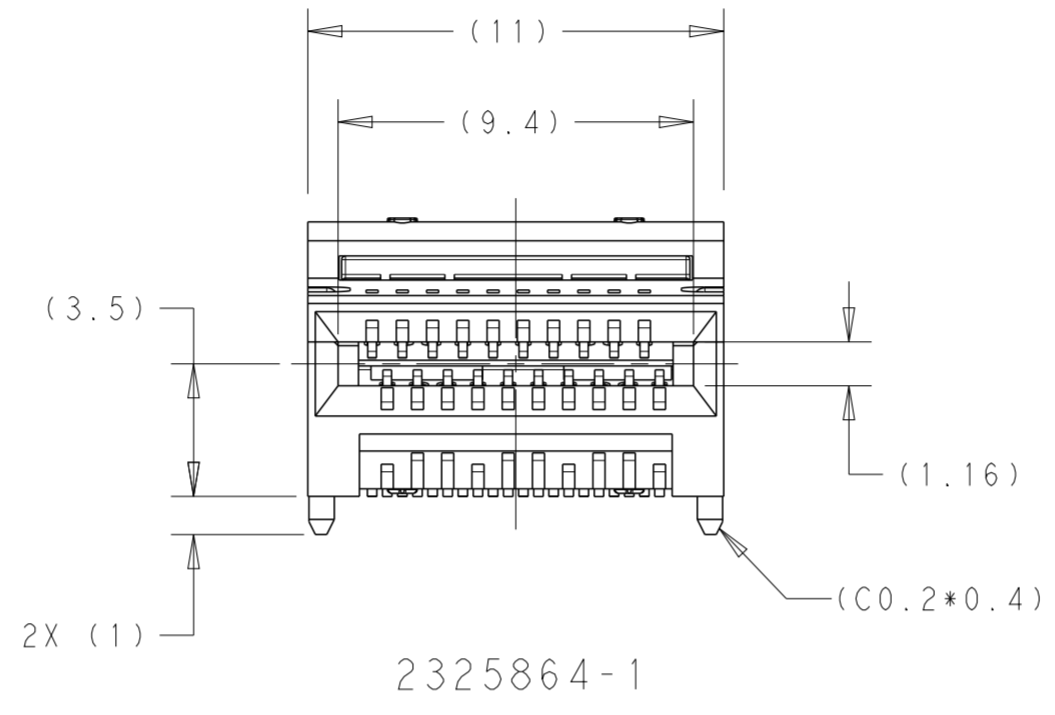
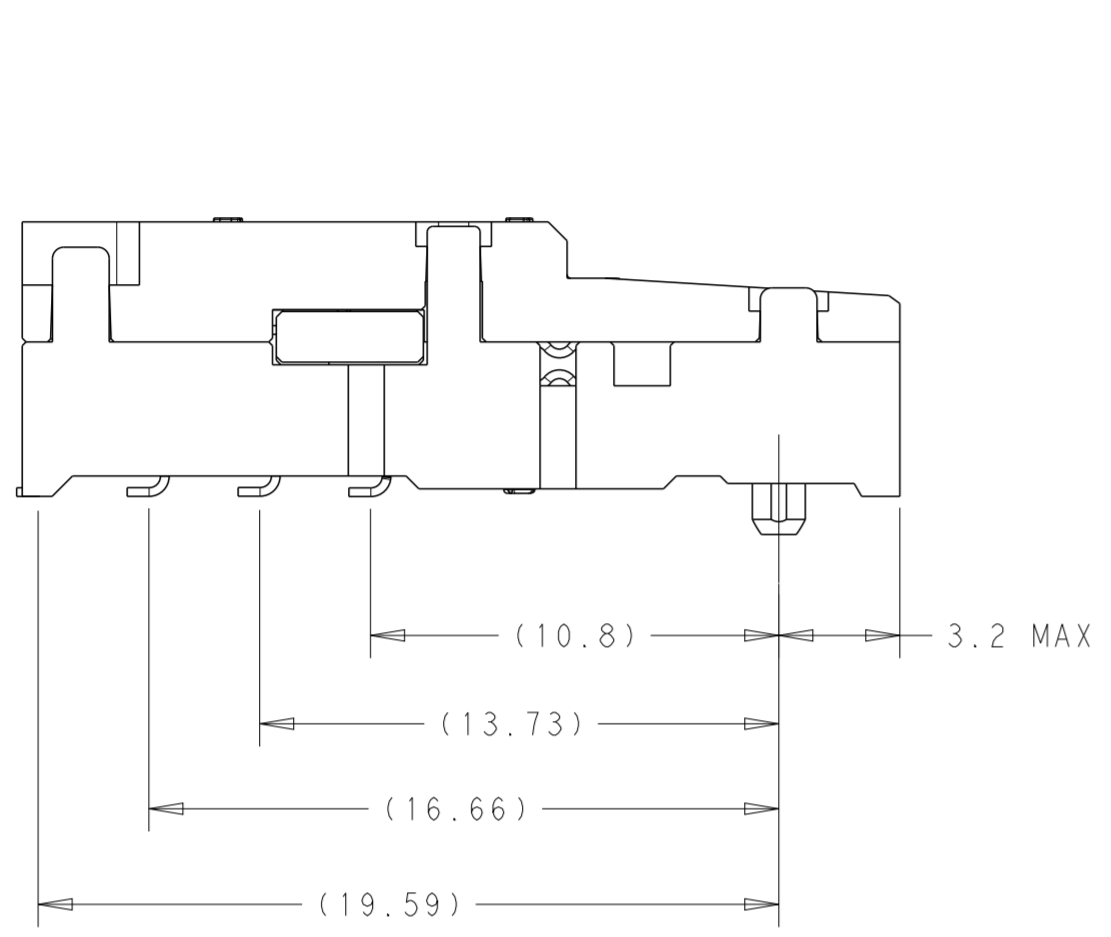


THIS DRAWING IS UNPUBLISHED. RELEASED FOR PUBLICATION 20  
 © COPYRIGHT 20 BY - ALL RIGHTS RESERVED.

REVISIONS					
P	LTR	DESCRIPTION	DATE	DWN	APVD
A		RELEASED TO PRODUCTION STATUS	14JAN2021	EDB	EDB
A1		ADDED -3 INFORMATION IN VIEW NOTES	30MAR2021	AJ	SZ
B		ADDED DIM (C0.2*0.4) AND (4.55) IN 1C2	18MAY2022	AJ	SZ



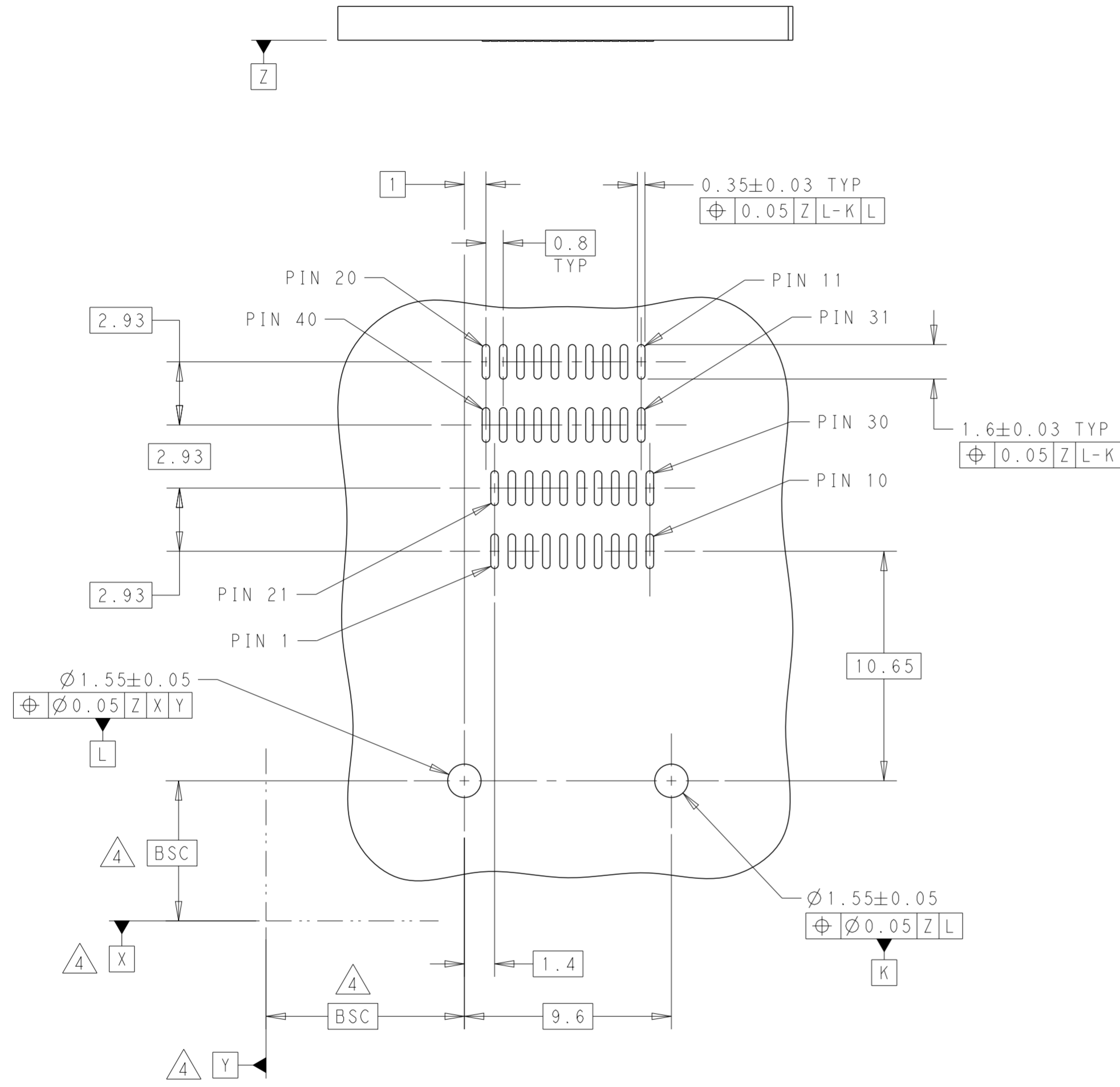
2325864-2/-3  
WITH SOLDER WASHERS

- 1 HOUSINGS AND CONTACT OVERMOLDS: LCP, BLACK, UL94-V0.  
CONTACTS: COPPER ALLOY.  
SOLDER WASHERS: NICKEL SILVER.
- 2 0.76µm GOLD PLATING ON MATING INTERFACE. TIN PLATE ON SOLDER TAILS. ALL OVER NICKEL UNDERPLATE ON ENTIRE CONTACT.
- 3. MINIMUM PC BOARD THICKNESS:  
SINGLE SIDED: 1.57 MIN  
DOUBLE SIDED: 2.20 MIN
- 4 DATUM AND BASIC DIMENSION ESTABLISHED BY CUSTOMER.

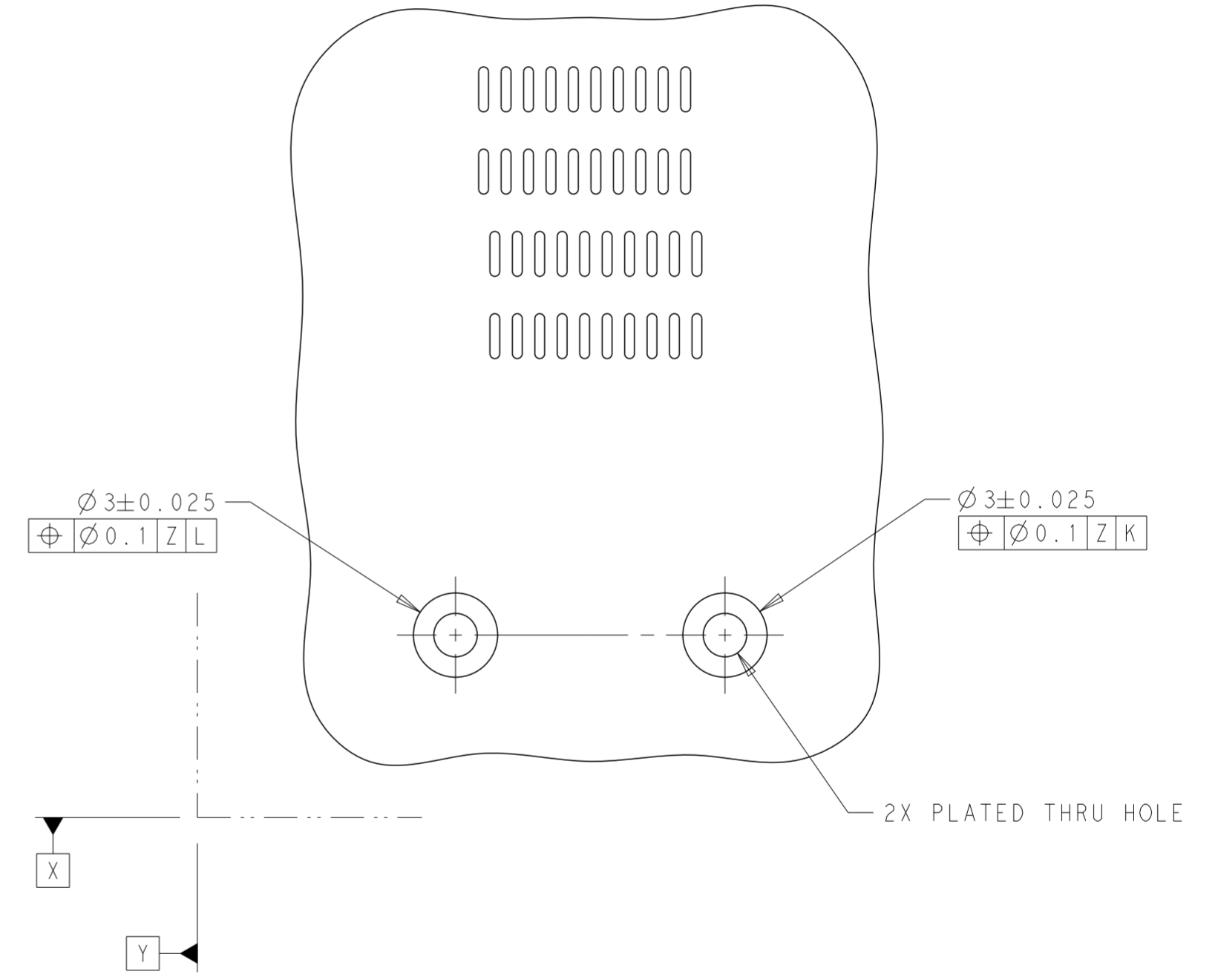
THIS DRAWING IS A CONTROLLED DOCUMENT.		DWN M. SHIRK 02AUG2018	WITH SOLDER WASHERS		2325864-3
DIMENSIONS: mm		CHK E. BRIANT 02AUG2018	WITH SOLDER WASHERS		2325864-2
TOLERANCES UNLESS OTHERWISE SPECIFIED:		APVD -	AS SHOWN		2325864-1
0 PLC ±		PRODUCT SPEC	DESCRIPTION		PART NUMBER
1 PLC ±		108-130026	RECEPTACLE CONNECTOR, 40 POSITION, SFP DD		
2 PLC ±		APPLICATION SPEC	SIZE	CAGE CODE	DRAWING NO
3 PLC ±		114-130012	A200779	C-2325864	
4 PLC ±		WEIGHT	RESTRICTED TO		
ANGLES ±		CUSTOMER DRAWING	SCALE 1:1		SHEET 1 OF 3
FINISH			REV B		

THIS DRAWING IS UNPUBLISHED. RELEASED FOR PUBLICATION 20  
 © COPYRIGHT 20 BY - ALL RIGHTS RESERVED.

REVISIONS				
P	LTR	DESCRIPTION	DATE	APVD
-	-	SEE SHEET 1	-	-



2325864-1  
RECOMMENDED PCB LAYOUT

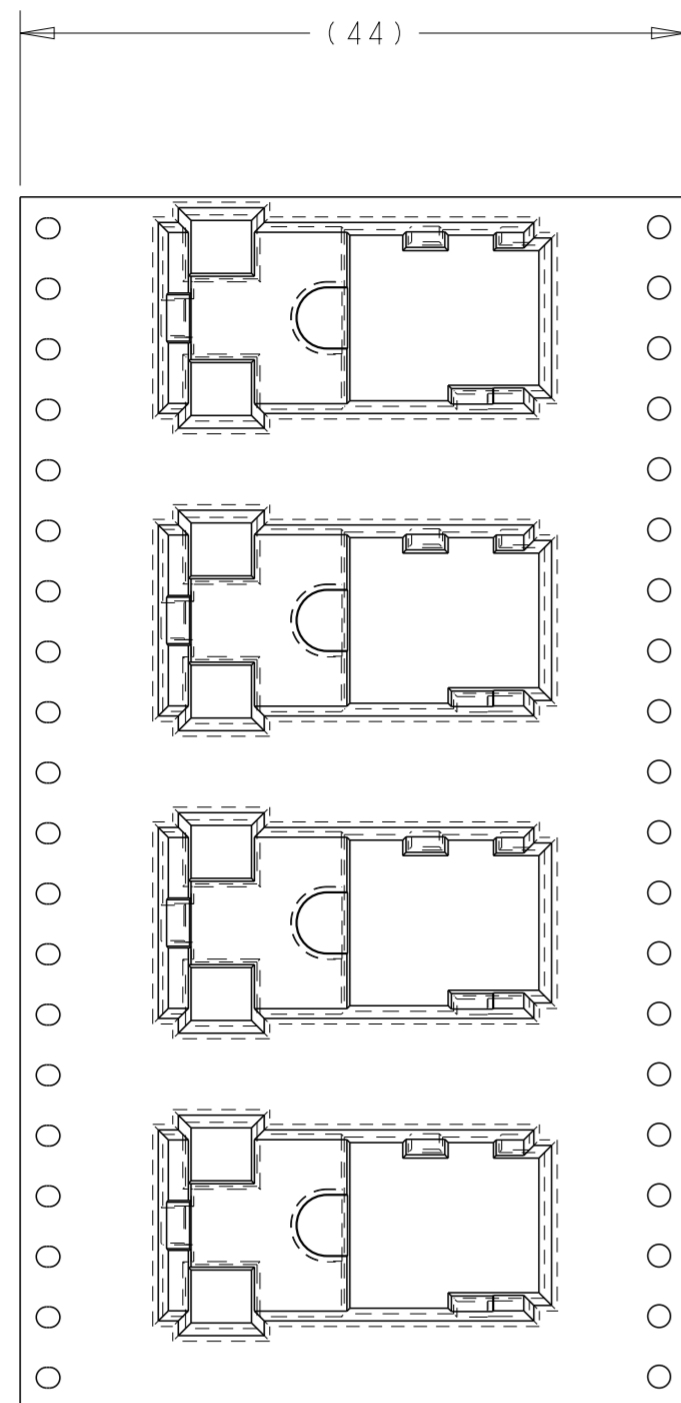


2325864-2/-3  
RECOMMENDED PCB LAYOUT  
SAME AS 2325864-1 EXCEPT AS NOTED

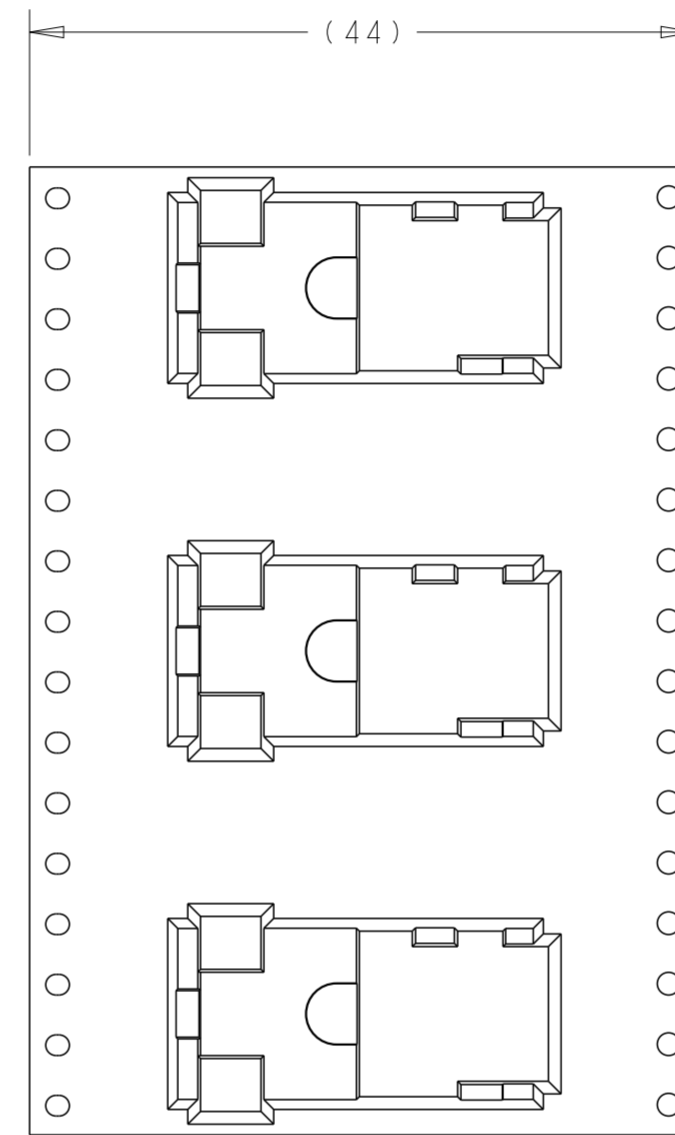
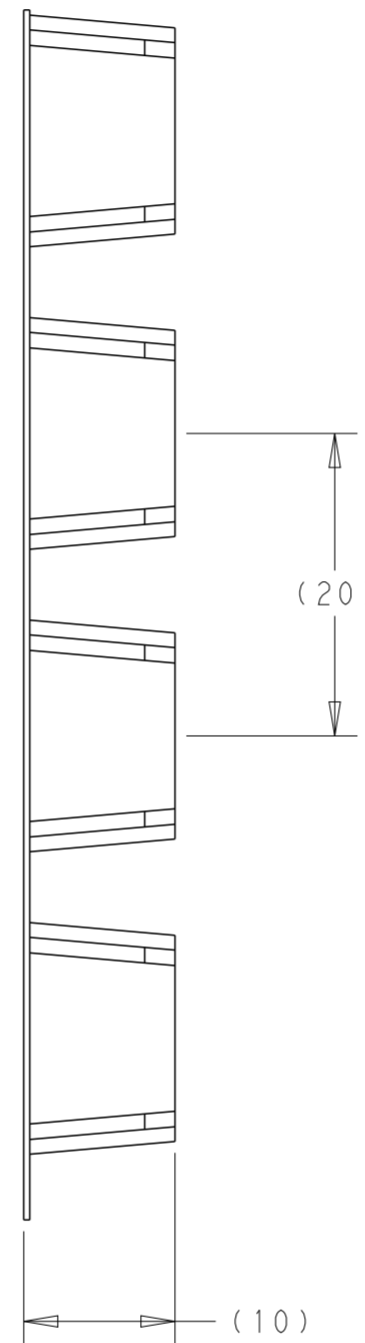
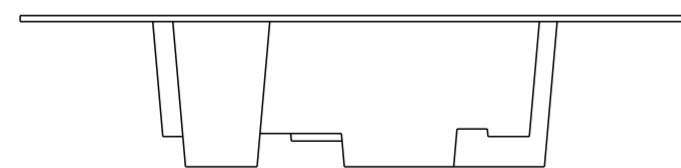
THIS DRAWING IS A CONTROLLED DOCUMENT.		DWN M. SHIRK 02AUG2018	TE Connectivity	
		CHK E. BRIANT 02AUG2018		
DIMENSIONS:	TOLERANCES UNLESS OTHERWISE SPECIFIED:	APVD -	NAME RECEPTACLE CONNECTOR, 40 POSITION, SFP DD	
mm	0 PLC ± 1 PLC ± 2 PLC ± 3 PLC ± 4 PLC ± ANGLES ± FINISH	PRODUCT SPEC 108-130026	SIZE A200779	
MATERIAL		APPLICATION SPEC 114-130012	DRAWING NO C-2325864	RESTRICTED TO -
		WEIGHT -	SCALE 1:1	SHEET 2 OF 3
		CUSTOMER DRAWING	REV B	

THIS DRAWING IS UNPUBLISHED. RELEASED FOR PUBLICATION 20  
 © COPYRIGHT 20 BY - ALL RIGHTS RESERVED.

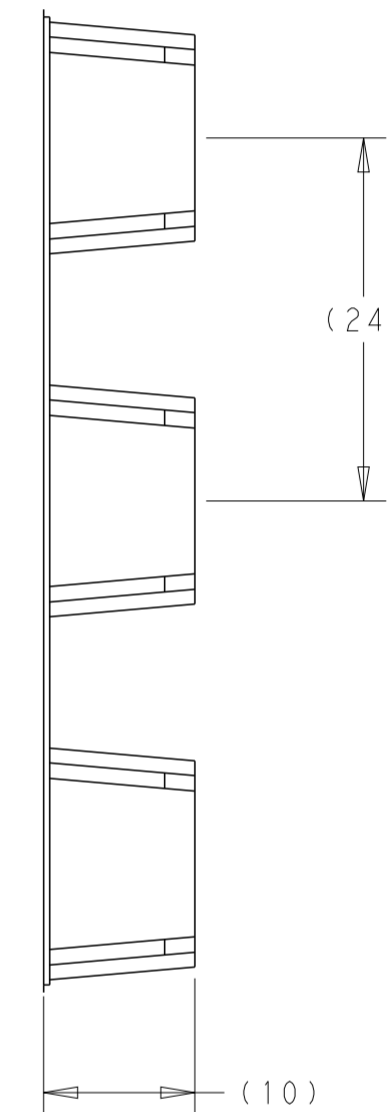
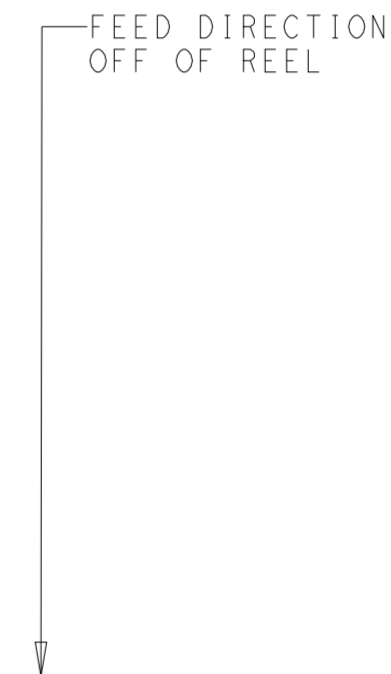
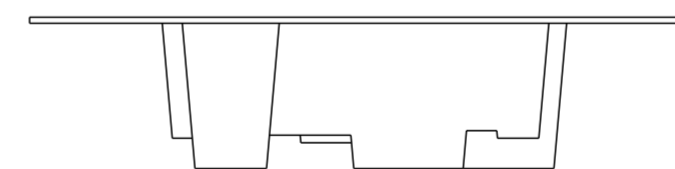
REVISIONS				
P	LTR	DESCRIPTION	DATE	APVD
-	-	SEE SHEET 1	-	-



PACKAGING TAPE  
 FOR 2325864-1 AND 2325864-2  
 SCALE 2:1



PACKAGING TAPE  
 FOR 2325864-3  
 350 PCS/REEL  
 15 EMPTY POCKETS (360mm)  
 ON BOTH ENDS OF THE TAPE  
 SCALE 2:1



THIS DRAWING IS A CONTROLLED DOCUMENT.		DWN M. SHIRK 02AUG2018	<b>STE</b> TE Connectivity	
		CHK E. BRIANT 02AUG2018		
DIMENSIONS: mm		APVD -	NAME RECEPTACLE CONNECTOR, 40 POSITION, SFP DD	
TOLERANCES UNLESS OTHERWISE SPECIFIED:		PRODUCT SPEC 108-130026	RESTRICTED TO	
0 PLC ±		APPLICATION SPEC 114-130012	SIZE A200779	CAGE CODE C-2325864
1 PLC ±		WEIGHT -	DRAWING NO -	
2 PLC ±		CUSTOMER DRAWING	SCALE 2:1	SHEET 3 OF 3
3 PLC ±			REV B	
4 PLC ±				
ANGLES ±				
FINISH				