



Mallory Sonalert Products, Inc.

Part #:

SNP428

Sales Outline Drawing

Revision:

C

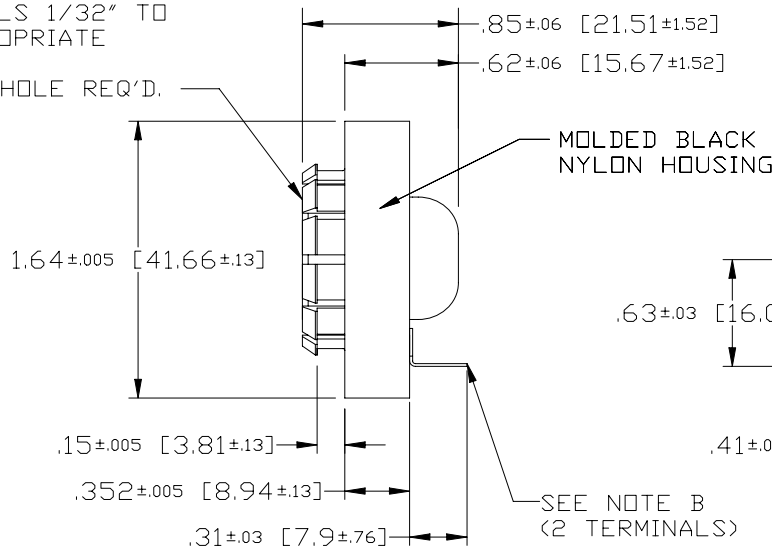
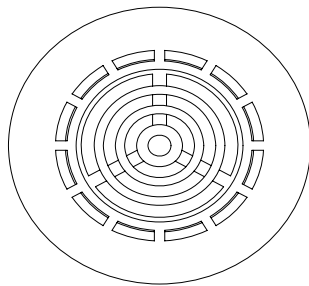
Specifications:

| | |
|-----------------------|--|
| Sound Level Category | Medium |
| Mode of Operation | Continuous |
| Voltage Rating | 4 to 28 VDC |
| Frequency | 2900 ± 500 Hz |
| Loudness @ 2 FT | 69 to 83 Typ. |
| Current Draw | 3-18 mA |
| Housing Material | 6/6 Nylon, Color: Black |
| Storage Temperature | -40° to +85° C |
| Operating Temperature | -30° to +65° C |
| Panel Mounting | Recommended hole size is 1.25"(31.75mm). Thread front will fit standard 30mm(1.181") hole. |
| Weight (Typical) | 0.5 oz (17g) |
| Options | Please contact factory. |

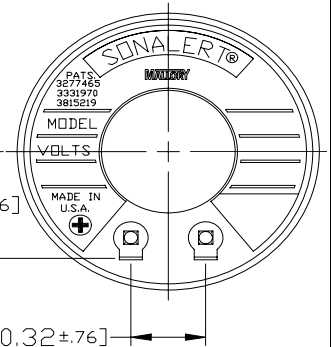
Dimensions: Inches (mm)

cUL Recognized

NOTE A:
 MOUNTING - THIS PORTION
 SNAP-LOCKS INTO PANELS 1/32" TO
 1/8" THICK USING APPROPRIATE
 COMPRESSION WASHER.
 1.063 ±.005 DIA. PANEL HOLE REQ'D.



MOLDED BLACK NYLON HOUSING



SEE NOTE B
(2 TERMINALS)

NOTE B:
 TERMINALS - .016 BRASS, HOT TIN FINISH WITH
 .076 WIRE HOLE. TERMINAL WILL ACCEPT
 STANDARD 1/8" QUICK CONNECT