

SAC-5P-5,0-500/M12FS FB - Sensor/actuator cable



1421000

<https://www.phoenixcontact.com/us/products/1421000>

Please be informed that the data shown in this PDF document is generated from our online catalog. Please find the complete data in the user documentation. Our general terms of use for downloads are valid.



Sensor/actuator cable, 5-position, free cable end, on Socket straight M12, coding: A, cable length: 5 m, with high-grade steel knurl

Your advantages

- Easy and safe: 100% electrically tested plug-in components
- Contamination can be detected quickly – thanks to the light color

Commercial data

| | |
|--------------------------------------|--------------------------------|
| Item number | 1421000 |
| Packing unit | 1 pc |
| Minimum order quantity | 1 pc |
| Note | Made to order (non-returnable) |
| Sales key | BF03 |
| Product key | BF1CDA |
| GTIN | 4055626250304 |
| Weight per piece (including packing) | 224.89 g |
| Weight per piece (excluding packing) | 215.85 g |
| Customs tariff number | 85444290 |
| Country of origin | PL |

1421000

<https://www.phoenixcontact.com/us/products/1421000>

Technical data

Product properties

| | |
|----------------------|--------------------------|
| Product type | Sensor/actuator cable |
| Number of positions | 5 |
| Application | Food processing industry |
| No. of cable outlets | 1 |
| Shielded | no |
| Coding | A |

Insulation characteristics

| | |
|----------------------|----|
| Overvoltage category | II |
| Degree of pollution | 3 |

Material specifications

| | |
|-------------------------------|-----------------|
| Material of grip body | PP |
| Contact material | CuSn |
| Contact surface material | Ni/Au |
| Contact carrier material | PP |
| Material for screw connection | Stainless steel |

Electrical properties

| | |
|--------------------------------|----------|
| Contact resistance | ≤ 5 mΩ |
| Insulation resistance | ≥ 100 MΩ |
| Nominal voltage U _N | 48 V AC |
| | 60 V DC |
| Nominal current I _N | 4 A |
| Protective circuit | unwired |

Mechanical properties

Mechanical data

| | |
|-----------------------------|-------|
| Insertion/withdrawal cycles | ≥ 100 |
|-----------------------------|-------|

Signaling

| | |
|------------------------|----|
| Status display | No |
| Status display present | No |

Connector

Connection 1

| | |
|------|----------------|
| Type | free cable end |
|------|----------------|

Connection 2

| | |
|---------------------|---------------------|
| Type | Socket straight M12 |
| Number of positions | 5 |

SAC-5P-5,0-500/M12FS FB - Sensor/actuator cable



1421000

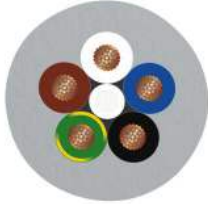
<https://www.phoenixcontact.com/us/products/1421000>

| | |
|---------------------|---|
| Coding type | A |
| Number of positions | 5 |

Cable/line

| | |
|--------------|-----|
| Cable length | 5 m |
|--------------|-----|

PVC gray [500]

| | |
|-----------------------------------------------|-------------------------------------------------------------------------------------------------|
| Dimensional drawing |  |
| Cable weight | 51 kg/km |
| UL AWM Style | 2464 / 1729 (80°C/300 V) |
| Number of positions | 5 |
| Shielded | no |
| Cable type | PVC gray [500] |
| Conductor structure signal line | 19x 0.15 mm |
| AWG signal line | 22 |
| Conductor cross section | 5x 0.34 mm ² (Signal line) |
| Wire diameter incl. insulation | 1.26 mm ±0.05 mm |
| External cable diameter | 5 mm ±0.15 mm |
| Outer sheath, material | PVC |
| External sheath, color | gray RAL 7001 |
| Conductor material | Bare Cu litz wires |
| Material wire insulation | PVC |
| Single wire, color | brown, white, blue, black, green-yellow |
| Thickness, insulation | ≥ 0.23 mm (Core insulation) |
| Thickness, outer sheath | ≥ 0.76 mm |
| Overall twist | 5 wires around filler to the core |
| Max. conductor resistance | max. 57 Ω/km (at 20 °C) |
| Insulation resistance | ≥ 200 MΩ*km (at 20 °C) |
| Nominal voltage, cable | ≤ 300 V |
| Test voltage | ≥ 3000 V |
| Minimum bending radius, fixed installation | 5 x D |
| Minimum bending radius, flexible installation | 10 x D |
| Flame resistance | As per UL-Style 2464 |
| Ambient temperature (operation) | -40 °C ... 80 °C (cable, fixed installation) -25 °C ... 80 °C (Cable, flexible installation) |

Environmental and real-life conditions

SAC-5P-5,0-500/M12FS FB - Sensor/actuator cable



1421000

<https://www.phoenixcontact.com/us/products/1421000>

Ambient conditions

| | |
|---------------------------------|----------------------------------|
| Degree of protection | IP65 |
| | IP67 |
| | IP68 |
| | IP69K |
| Ambient temperature (operation) | -25 °C ... 90 °C (Plug / socket) |

Standards and regulations

M12

| | |
|--------------------------|-----------------|
| Standard designation | M12 connector |
| Standards/specifications | IEC 61076-2-101 |

SAC-5P-5,0-500/M12FS FB - Sensor/actuator cable

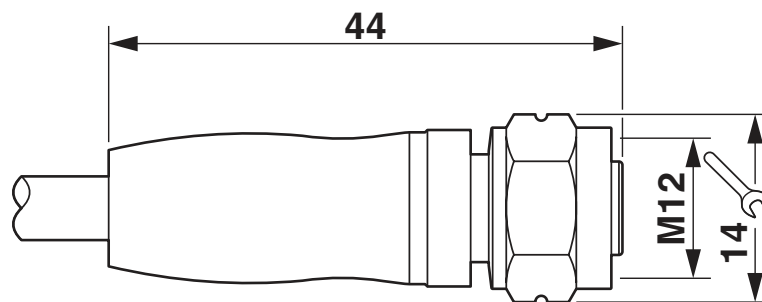


1421000

<https://www.phoenixcontact.com/us/products/1421000>

Drawings

Dimensional drawing



M12 x 1 socket, straight

Circuit diagram



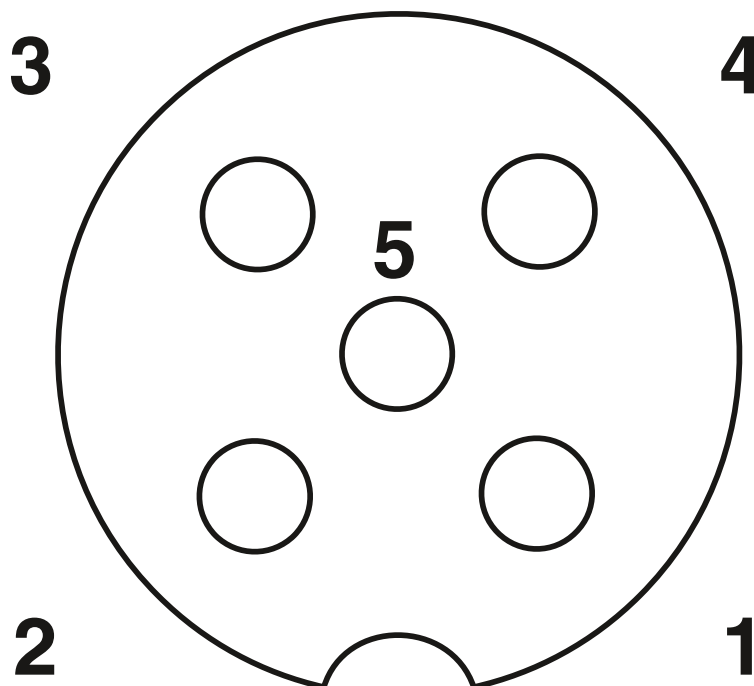
SAC-5P-5,0-500/M12FS FB - Sensor/actuator cable



1421000

<https://www.phoenixcontact.com/us/products/1421000>

Schematic diagram



Pin assignment M12 socket, 5-pos., A-coded, socket side view

SAC-5P-5,0-500/M12FS FB - Sensor/actuator cable




1421000


<https://www.phoenixcontact.com/us/products/1421000>

Approvals

To download certificates, visit the product detail page: <https://www.phoenixcontact.com/us/products/1421000>

| | | | | |
|----------------------------------------------------------------------------------------------------------------------------------|-----------------------|-----------------------|-------------------|-----------------------------|
|  UL Listed Approval ID: FILE E 221474 | Nominal voltage U_N | Nominal current I_N | Cross section AWG | Cross section mm^2 |
| | 48 V | 4 A | - | - |

| | | | | |
|-----------------------------------------------------------------------------------------------------------------------------------|-----------------------|-----------------------|-------------------|-----------------------------|
|  cUL Listed Approval ID: FILE E 221474 | Nominal voltage U_N | Nominal current I_N | Cross section AWG | Cross section mm^2 |
| | 48 V | 4 A | - | - |

| |
|-----------------------------------------------------------------------------------------------------------------------------------------|
|  EAC-RoHS Approval ID: RU D-DE.HB35.B.00385 |
|-----------------------------------------------------------------------------------------------------------------------------------------|

| |
|---------------------|
| cULus Listed |
|---------------------|

SAC-5P-5,0-500/M12FS FB - Sensor/actuator cable



1421000

<https://www.phoenixcontact.com/us/products/1421000>

Classifications

ECLASS

| | |
|-------------|----------|
| ECLASS-11.0 | 27060311 |
| ECLASS-12.0 | 27060311 |
| ECLASS-13.0 | 27060311 |

ETIM

| | |
|----------|----------|
| ETIM 8.0 | EC001855 |
|----------|----------|

UNSPSC

| | |
|-------------|----------|
| UNSPSC 21.0 | 26121600 |
|-------------|----------|

SAC-5P-5,0-500/M12FS FB - Sensor/actuator cable



1421000

<https://www.phoenixcontact.com/us/products/1421000>

Environmental product compliance

| | |
|------------|---------------------------------------------------------|
| REACH SVHC | Dechlorane Plus |
| China RoHS | Environmentally friendly use period: unlimited = EFUP-e |
| | No hazardous substances above threshold values |

SAC-5P-5,0-500/M12FS FB - Sensor/actuator cable



1421000

<https://www.phoenixcontact.com/us/products/1421000>

Accessories

TSD 04 SAC - Torque screwdriver

1208429

<https://www.phoenixcontact.com/us/products/1208429>



Torque screwdriver, with preset torque of 0.4 Nm and 4 mm hexagonal drive for M12 connectors

TSD-M 1,2NM - Torque screwdriver

1212224

<https://www.phoenixcontact.com/us/products/1212224>



Torque screw driver, accuracy as per EN ISO 6789 standard, adjustable from 0.3 - 1.2 Nm

SAC-5P-5,0-500/M12FS FB - Sensor/actuator cable



1421000

<https://www.phoenixcontact.com/us/products/1421000>

TSD-M SAC-BIT ADAPTER - Adapter insert

1212600

<https://www.phoenixcontact.com/us/products/1212600>



Adapter bit for TSD-M...torque tools, E6.3-1/4" drive with 4 mm hexagon to accommodate SAC bits

SAC BIT M12-W14 - Tool

1212513

<https://www.phoenixcontact.com/us/products/1212513>



Nut for assembling sensor/actuator cables with M12 connector and M12 connectors for assembly, with a hexagonal knurl wrench size of 14 mm, with 4 mm hexagonal drive

SAC-5P-5,0-500/M12FS FB - Sensor/actuator cable



1421000

<https://www.phoenixcontact.com/us/products/1421000>

CUTFOX-S VDE - Diagonal cutter

1212207

<https://www.phoenixcontact.com/us/products/1212207>



Diagonal cutter for hard (piano wire) and soft wires, VDE 1000 V AC/1500 V DC tested

WIREFOX SAC - Stripping tool

1212623

<https://www.phoenixcontact.com/us/products/1212623>



Stripping pliers, for halogen-free sensor/actuator cables (SAC cables), with PUR and PVC insulation, from Ø of 4.4 to 7 mm, any stripping length

SAC-5P-5,0-500/M12FS FB - Sensor/actuator cable



1421000

<https://www.phoenixcontact.com/us/products/1421000>

WIREFOX 10 - Stripping tool

1212150

<https://www.phoenixcontact.com/us/products/1212150>



Stripping tool, for cables and conductors from 0.02 - 10 mm², self-adjusting, stripping length of up to 18 mm, cutting capacity of up to 10 mm² stranded/1.5 mm² solid, replaceable stripping blade

Phoenix Contact 2023 © - all rights reserved

<https://www.phoenixcontact.com>

Phoenix Contact USA
586 Fulling Mill Road
Middletown, PA 17057, United States
(+717) 944-1300
info@phoenixcon.com