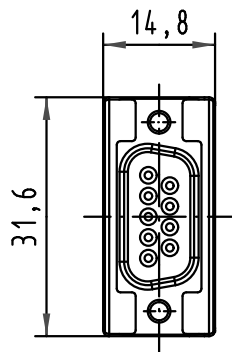
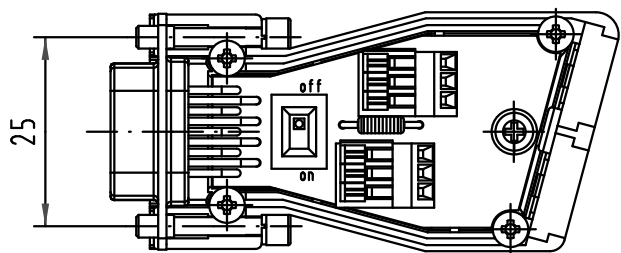
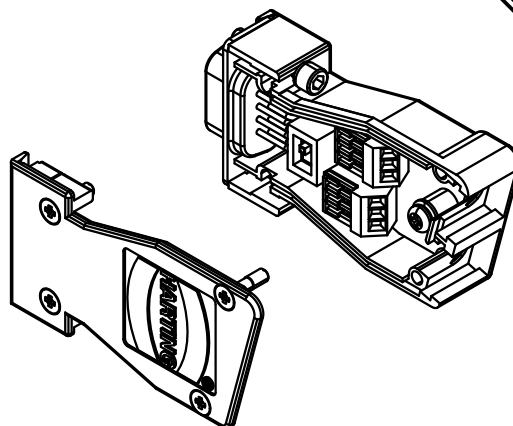
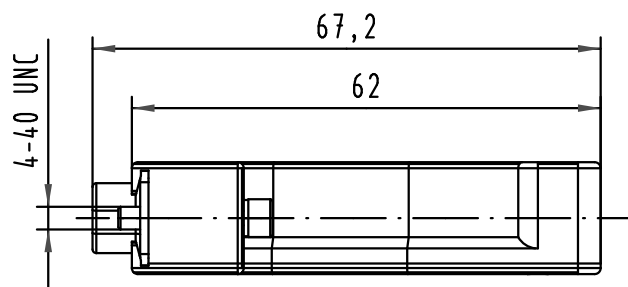
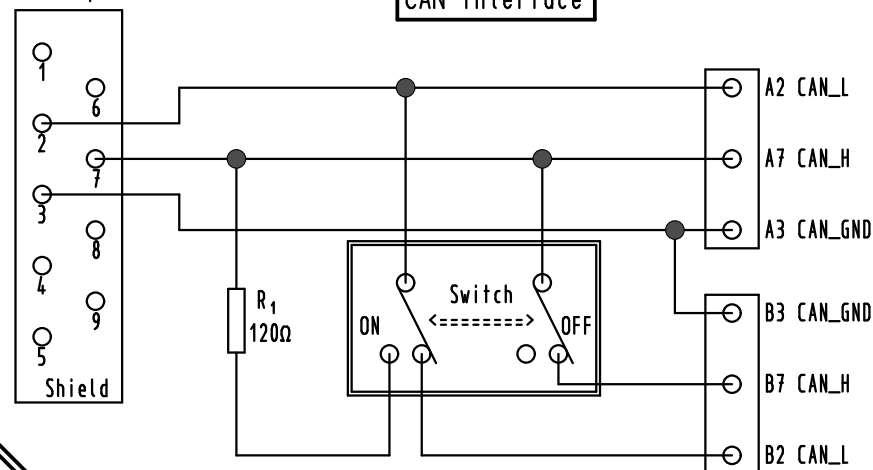


Darstellung ohne Deckel
view without cover



D-Sub 9 poles

CAN Interface



im Set enthalten :
in set inclusive :

Anzahl number	Bezeichnung description
2	Kabelklemme 7,0-10,0 Cable clamp 7,0-10,0

<p>ALL Dimensions in mm Original Size DIN A 4</p>	Techn. Character.			Nicht tolerierte Maßel Free size tolerances		
		Dat.	Name	<p style="text-align: center;">Maßstab/Scale</p> <p style="text-align: center; font-size: 2em;">1:1</p> <p style="text-align: center; font-size: 1.5em;">InduCom 9</p> <p style="text-align: center;">Female - CAN - 4-40 UNC With cable clamps 7,0-10,0</p>		
		Detail.	21/09/10			SC
		Insp.				
	Stand.					
36093	21/09/10	SC	HARTING EURL		<p style="font-size: 1.5em;">TB 66 63 009 x026</p>	
32614			F-95972 Paris			
Mod.	Dat.	Name			<p>Sub.</p>	

66 63 009 6026	S4
Part number	Performance level