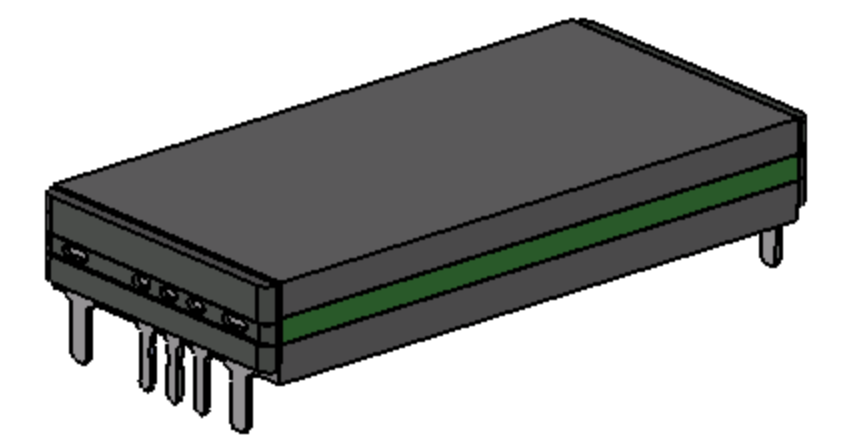
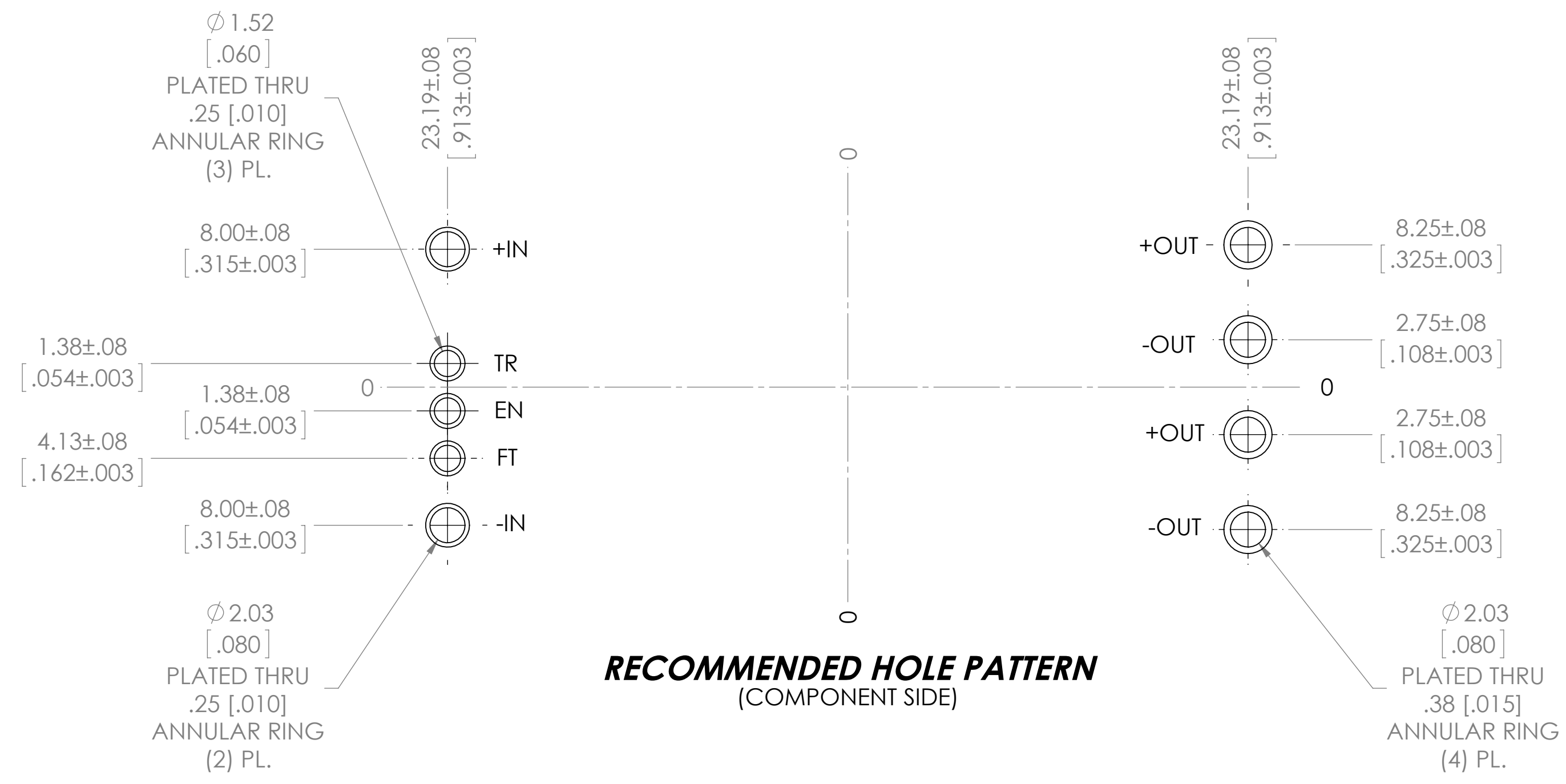
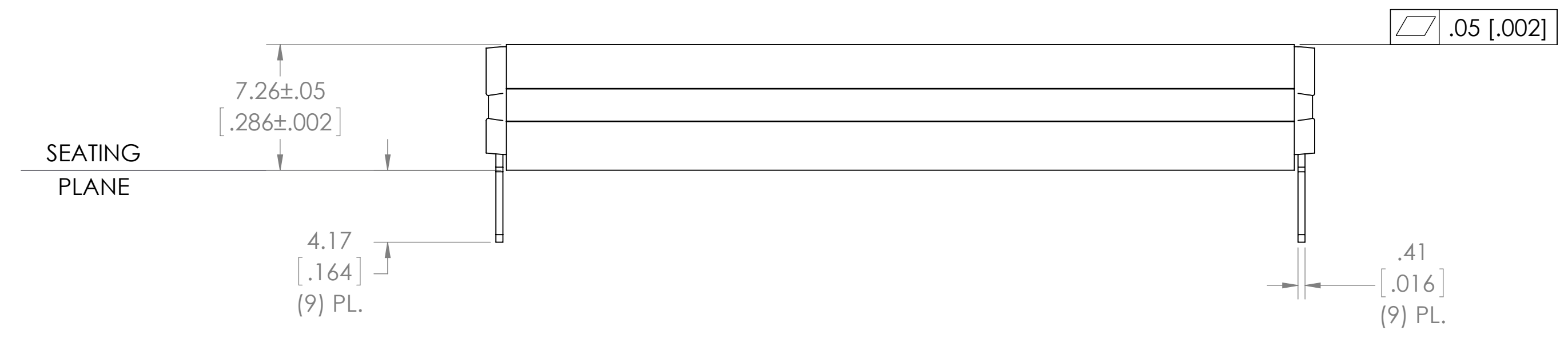
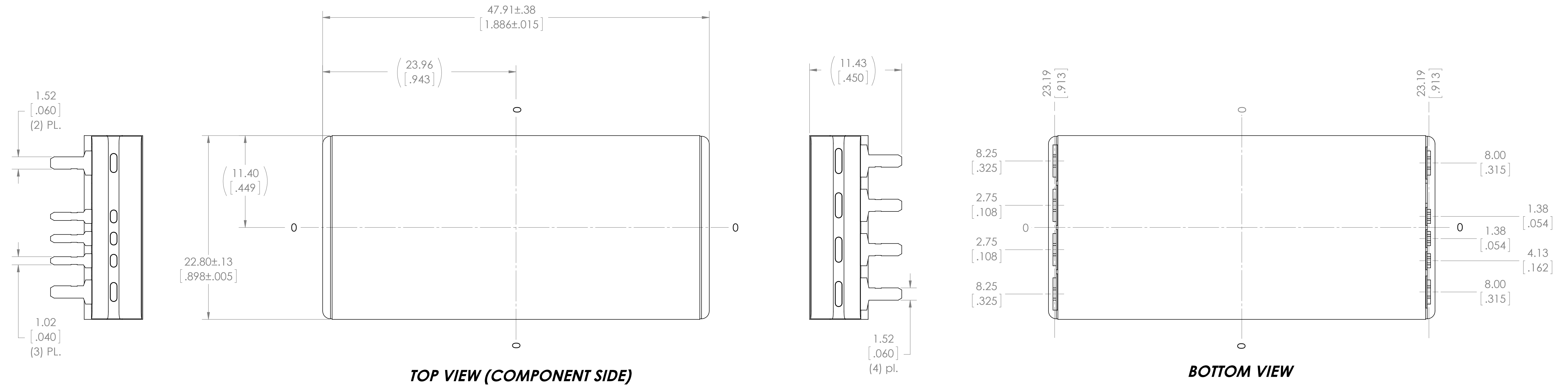


VICOR CONFIDENTIAL
 THIS DOCUMENT AND THE DATA DISCLOSED HEREIN OR
 HEREON IS NOT TO BE REPRODUCED, COPIED, OR
 DISCLOSED IN WHOLE OR IN PART TO ANYONE WITHOUT
 THE PERMISSION OF VICOR CORP.

REV.	DESCRIPTION	INTL	DATE	APVD
1	RELEASED PER E140206	GCK	02/18/14	SE
2	REVISED PER E141414	SJW	12/19/14	REJH



NOTES:
 1- RoHS COMPLIANT PER CST-0001 LATEST REVISION.

DRAWN BY R.E.J. Hickey	DATE 9/9/2013	VICOR <small>SWD</small>	
UNLESS OTHERWISE SPECIFIED DIMENSIONS ARE: INCH / [MM]		PRODUCT OUTLINE 4623 THRU HOLE	
TOLERANCES ARE: DECIMALS XXX [X.X] = ±0.01 [0.25] X.XXX [X.XXX] = ±0.005 [0.127]	ANGLES ±1°	SIZE D	CAGE CODE 67131
THIRD ANGLE PROJECTION 	SCALE 4:1	DWG NO 40257	REV 2
DO NOT SCALE DRAWING		SHEET 1 OF 1	