

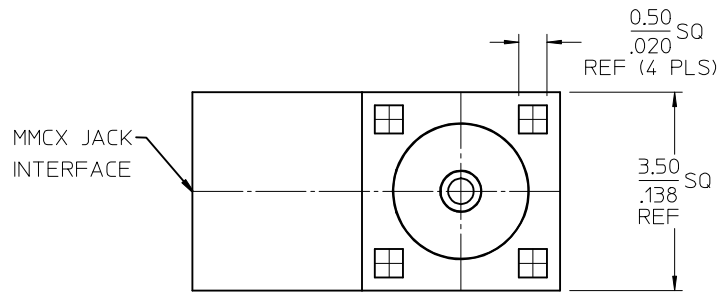
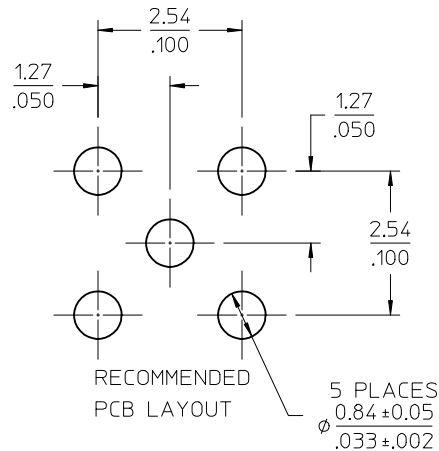
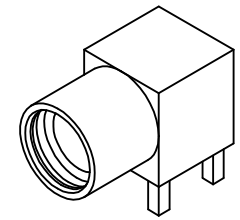
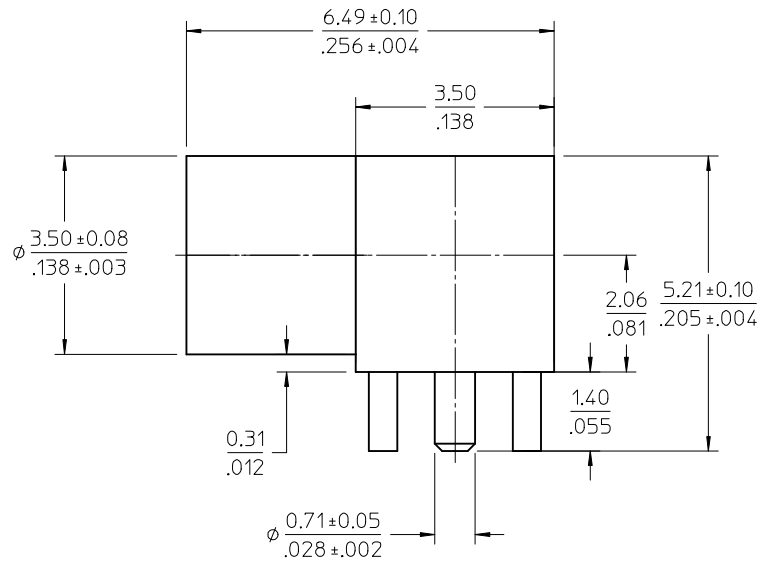
MATERIALS AND FINISHES

BODY BRASS
PLATED GOLD

CENTER CONTACT BERYLLIUM COPPER
PLATED GOLD

INSULATOR TEFLON

PACKING BY T&R



ES-73599-0000-016	INTERFACE
SPECIFICATION	DESCRIPTION

CHG: NEW RELEASED PER PDR0910406

EC NO: URF2010-0303
DRWN: CWE102 2009/11/17
CHKD: 2009/11/25
APPR: MHUANG 2009/11/25

REV DESCRIPTION

QUALITY SYMBOLS
 =0
 =0

GENERAL TOLERANCES (UNLESS SPECIFIED)

	mm	INCH
4 PLACES	± .010	± .0004
3 PLACES	± .015	± .0006
2 PLACES	± .020	± .0008
1 PLACE	± .030	± .0012

ANGULAR ± 2°

DRAFT WHERE APPLICABLE MUST REMAIN WITHIN DIMENSIONS

DIMENSION STYLE
MM/IN

DRAWN BY	DATE
CELA	2009/11/17
CHECKED BY	DATE
LEO	2009/11/17
APPROVED BY	DATE
MISEN	2009/11/17

MATERIAL NO.
734140310

SIZE
C

SCALE
METRIC

DESIGN UNITS
METRIC

THIRD ANGLE PROJECTION

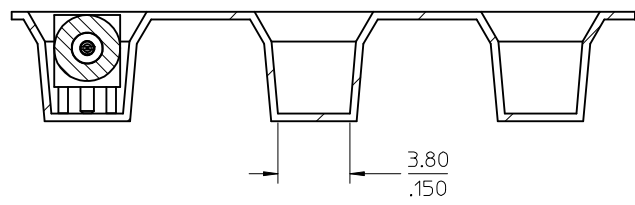
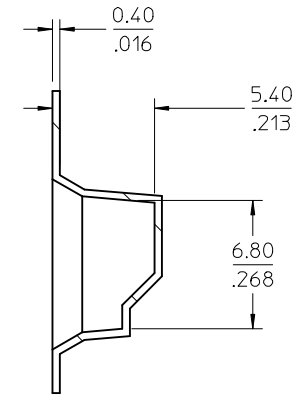
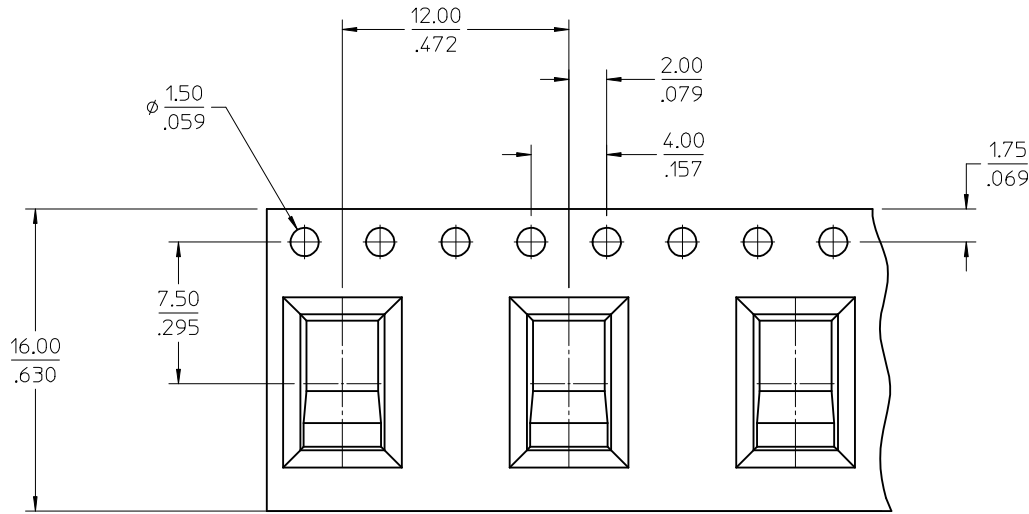
TITLE
**MMCX JACK, R/A, PCB
50 OHMS
MMCX-J/PCB**

MOLEX INCORPORATED

DOCUMENT NO.
SD-73414-031

SHEET NO.
1 OF 3

THIS DRAWING CONTAINS INFORMATION THAT IS PROPRIETARY TO MOLEX INCORPORATED AND SHOULD NOT BE USED WITHOUT WRITTEN PERMISSION



CHG:SEE SHEET 1
 EC NO: URF2010-0303
 DRWN: CWE102 2009/11/17
 CHKD: 2009/11/25
 APPR: MHIANG 2009/11/25

REV	DESCRIPTION
A	

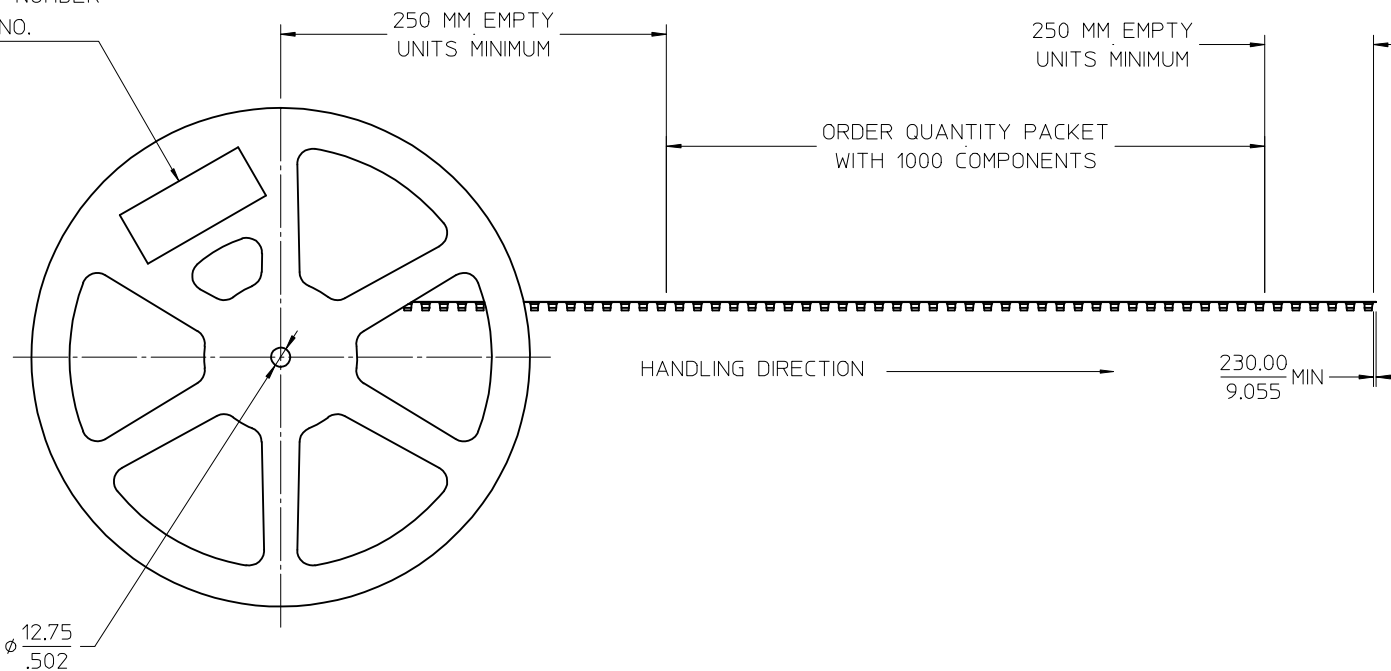
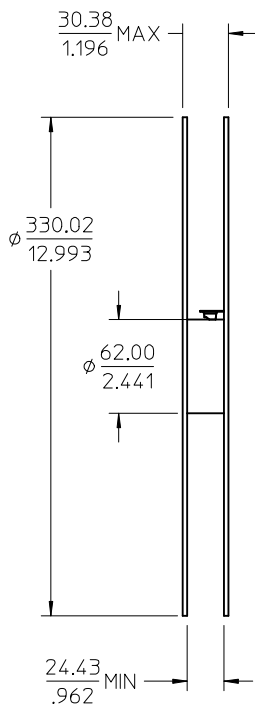
QUALITY SYMBOLS	
	=0
	=0.15

GENERAL TOLERANCES (UNLESS SPECIFIED)	
	MM/IN
4 PLACES	± .005 / ± .0002
3 PLACES	± .005 / ± .0002
2 PLACES	± .005 / ± .0002
1 PLACE	± .005 / ± .0002
ANGULAR ± 2 °	

DIMENSION STYLE		SCALE	DESIGN UNITS	THIRD ANGLE PROJECTION
DRAWN BY	DATE	TITLE	METRIC	
CELA	2009/11/17	MMCX JACK, R/A, PCB		
CHECKED BY	DATE	50 OHMS		
LEO	2009/11/17	MMCX-J/PCB		
APPROVED BY	DATE	MOLEX INCORPORATED		
MISEN	2009/11/17	MOLEX INCORPORATED		
MATERIAL NO.	DOCUMENT NO.	SD-73414-031		SHEET NO.
SEE SHEET 1				2 OF 3

DRAFT WHERE APPLICABLE MUST REMAIN WITHIN DIMENSIONS
 THIS DRAWING CONTAINS INFORMATION THAT IS PROPRIETARY TO MOLEX INCORPORATED AND SHOULD NOT BE USED WITHOUT WRITTEN PERMISSION

LABEL:
 -ORDER NO.
 -QUANTITY
 -PART NUMBER
 -LOT NO.



PACKING DESCRIPTION :

1. MATERIAL : PS BLACK-THICKNESS : 0.40
2. PACKING LENGTH PER 22" REEL : 39 METERS (1:3)
3. COMPONENT LOAD PER 13" REEL : 1000 PCS
4. DIMENSION ARE PROVIDED FOR REFERENCE ONLY

CHG: SEE SHEET 1

EC NO: URF2010-0303
 DRWN: CWE102 2009/11/17
 CHKD: 2009/11/25
 APPR: MHIANG 2009/11/25

REV DESCRIPTION

QUALITY SYMBOLS
 ▼=0
 ▽=0

GENERAL TOLERANCES (UNLESS SPECIFIED)

	mm	INCH
4 PLACES	± .005	± .0008
3 PLACES	± .008	± .0012
2 PLACES	± .012	± .0018
1 PLACE	± .015	± .0022

DRAFT WHERE APPLICABLE MUST REMAIN WITHIN DIMENSIONS

DIMENSION STYLE
 MM/IN

DRAWN BY	DATE
CELA	2009/11/17
CHECKED BY	DATE
LEO	2009/11/17
APPROVED BY	DATE
MISEN	2009/11/17

MATERIAL NO.

SEE SHEET 1

SIZE C

SCALE

DESIGN UNITS
 METRIC

THIRD ANGLE PROJECTION

TITLE
 MMCX JACK, R/A, PCB
 50 OHMS
 MMCX-J/PCB

MOLEX MOLEX INCORPORATED

DOCUMENT NO.

SD-73414-031

SHEET NO.

3 OF 3

THIS DRAWING CONTAINS INFORMATION THAT IS PROPRIETARY TO MOLEX INCORPORATED AND SHOULD NOT BE USED WITHOUT WRITTEN PERMISSION